



Steelcase Roam Collection
Family of mounts for Microsoft Surface Hub

Unlock the Microsoft Teams Experience, Anywhere

Steelcase® Roam™ Collection, for the Microsoft Surface Hub 3 family of devices, allows teams to come together—even when working apart. Co-developed with Microsoft, the Roam system of mobile stands and easy-to-install wall mounts supports large-scale collaboration—anywhere, anytime, any way.



Bring Remote Teams Together

Whether it's mounted on a wall or moved around freely, in landscape or portrait mode, the Surface Hub 3 paired with Roam ensures that the Teams room experience is easily accessible wherever you are and whatever your work mode demands.



Support Flexibility

The flow of ideas doesn't have to end when your scheduled meeting does. The intentional design of the Roam Collection provides the flexibility to support a variety of devices that empower teamwork to happen wherever ideas do – anytime, anywhere, any way.



Enable Active Collaboration

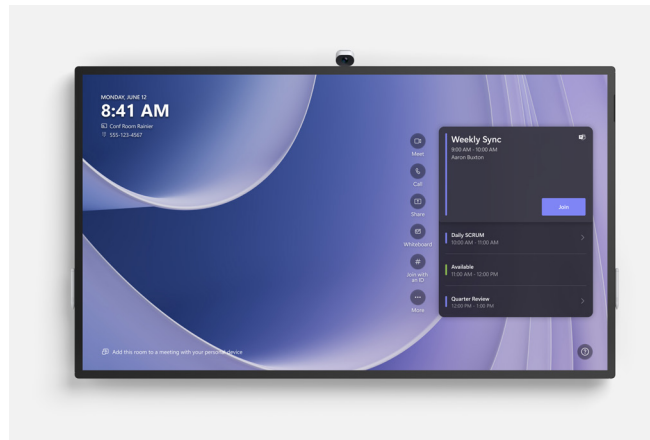
With the Microsoft Surface Hub 3, leverage updated features for digital whiteboarding and smart rotation to get the most out of your session. Share, co-create, and collaborate effortlessly in any space with no limitation when paired with the Roam Collection.

Take Teamwork Anywhere with Roam + Surface Hub 3



Mobile Stands

- APC™ Charge Mobile Battery (50" only)
- Engineered with industrial-strength tubing for premium stability and longevity
- Intuitive cable management and storage tray for a clean look in any space
- Industry Leading 12-year Warranty



Wall Mounts

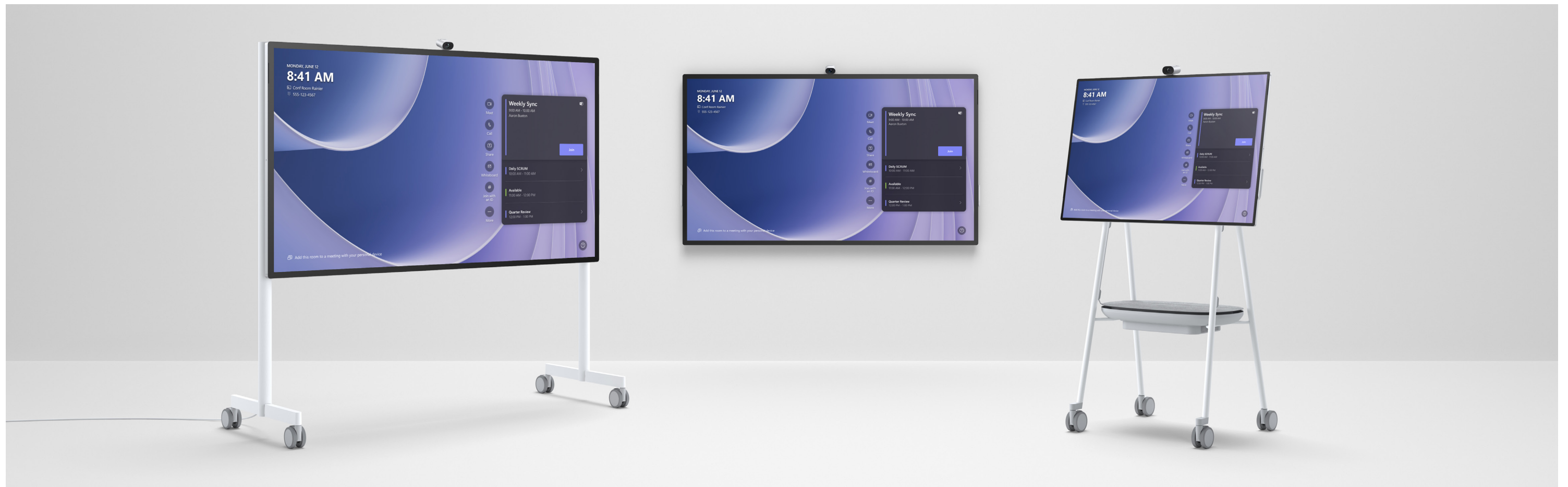
- One complete, effortless system install
- Reduce technology footprint while maximizing team collaboration for small, medium and large meeting rooms
- ADA Compliant
- Industry Leading 12-year Warranty



Floor-Supported Wall Mount

- Don't restrict your "where used," instead leverage the flexible floor mount
- Streamline deployments with faster installations
- Retrofit your space with the versatility of the floor mount
- Industry Leading 12-year Warranty





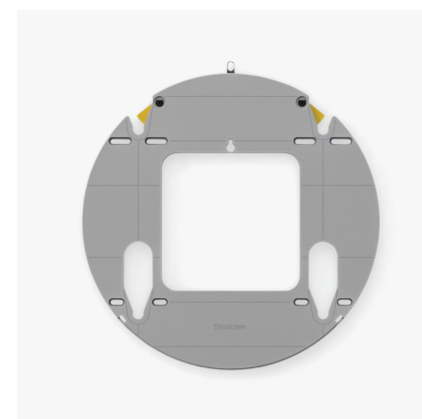
STATEMENT OF LINE



50" Mobile Stand



85" Mobile Stand



50" Wall Mount



85" Wall Mount



85" Floor-Supported Wall Mount

TECHNICAL SPECIFICATIONS

	Mobile Stand	Wall Mount	Floor-Supported Wall Mount
Dimensions:			
50" Surface Hub 3:	30.4" x 65.4" x 26.5"	22.2" (overall diameter)	
85" Surface Hub 3:	75.3" x 77.2" x 29.1"	30.1" x 51.5" x 1.4"	75.3" x 77.2" x 3.3"
Weight: (without device)			
50" Surface Hub 3:	62lb	7lb	
85" Surface Hub 3:	169.4lb	24.6lb	84.7lb
Color:	Arctic White and Microsoft Grey	Arctic White and Microsoft Grey	Arctic White and Microsoft Grey
Features:	<ul style="list-style-type: none"> Storage tray is included to house cords and other essential items when stand is being transported. Tray lid is a water-resistant material designed to protect against spills and stains (tray and battery available on 50" only). Proprietary locking system allows the device to be easily installed and locked in place. 360° rotating casters. Two front locking (Surface Hub 3) or four locking (Surface Hub 3 85") casters add to stability and safety. Legs are thoughtfully designed to be the ideal circumference for hands to easily grip. Minimal design is easy to clean. 	<ul style="list-style-type: none"> Device is easy to mount. Seismic locking system allows the device to be easily placed, and automatically locks in place. Single wall mount keeps the Microsoft device close to the wall (ADA-compliant) and installs in minutes. Hinged, magnetized panel allows for easy and hands-free access to device components (tray and battery only available on 50"). Receiver blocks on wall mount slide vertically to allow for fine-tuned leveling. Designed for easy installation on a variety of surfaces. Minimal design is easy to clean. 	<ul style="list-style-type: none"> Leveling glides on the legs for easy adjustments on all flooring types. Mounting brackets allow legs to rest a little farther from the wall. Legs support the weight of the device, so no wall reinforcement is needed. Minimal design is easy to clean.



Call 800.333.9939 or visit [Steelcase.com/Roam](https://www.steelcase.com/roam)

 [facebook.com/Steelcase](https://www.facebook.com/Steelcase)

 twitter.com/Steelcase

 [youtube.com/SteelcaseTV](https://www.youtube.com/SteelcaseTV)

Item #19-0000296 03/15 ©2024 Steelcase Inc. All rights reserved. All specifications subject to change without notice. Trademarks used herein are the property of Steelcase Inc. or of their respective owners. Printed in U.S.A.