



M#: 14-0003192

Elective Elements
desk systems

Steelcase



Highly Coveted. Highly Versatile.

Refined, sophisticated design. Rich, extensive material options. Flexible, purposeful applications. Elective Elements® seamlessly blends style, craftsmanship and performance to support today's diverse and demanding workplaces.



IM#: 14-0003189 | SM: ELECTIVE ELEMENTS (STORM WENGE LAMINATE, BRONZE LEG, TRUFFLE BACK PAINTED GLASS), SIENTO CHAIR (ELMOSOFT LEATHER PARCHMENT), DASH LIGHT, BINDU CHAIR (GAMUT SPRUCE)



IM#: 14-0003185



IM#: 16-0015446 | SM: ELECTIVE ELEMENTS (EUROPEAN WALNUT WITH DARK BRONZE LEG), V.I.A., MEDIA:SCAPE, MASSAUD CONFERENCE CHAIR (DIVINA MELANGE 621), BINDU CHAIR (REMIX 143), SOTO STORAGE BOXES

Supporting Today's Leaders

The demands on leaders have changed. They're highly mobile and spend more time collaborating with widely distributed teams. Elective Elements, with natural materials and a refined aesthetic, provides a sense of refuge for today's leaders, allowing them to think creatively, interact productively and lead effectively in environments that reflect their brands and cultures.



IM#: 16-0015449 | SM: ELECTIVE ELEMENTS (ASH WENGE LAMINATE AND ARCTIC WHITE LAMINATE WITH PLATINUM LEG), V.I.A., MEDIA:SCAPE, GESTURE CHAIR (HEATHER MIDNIGHT), LESS THAN FIVE SIDE CHAIR (LIGHT FADE MATTE), SOTO STORAGE BOXES, TOGETHER BENCH (HEATHER MIDNIGHT), SW_1 TABLE (ABSOLUTE CLEAR FROSTED GLASS WITH POLISHED ALUMINUM BASE)



IM#: 16-0015448 | SM: ELECTIVE ELEMENTS (GRAPHITE WALNUT WITH DARK BRONZE LEG, FUCHSIA BACK PAINTED GLASS AND ARCTIC WHITE LAMINATE MODESTY PANEL), V.I.A., MASSAUD CONFERENCE CHAIR (DIVINA MELANGE 120), LESSTHANFIVE SIDE CHAIR (LIGHT FADE MATTE), SOTO STORAGE BOXES, DASH LIGHT



IM#: 16-0015445 | SM: ELECTIVE ELEMENTS (DESERT OAK WITH BLACK LEG), V.I.A., GESTURE CHAIR (DIVINA MELANGE 120), MEDIA:SCAPE, MASSAUD LOUNGE AND OTTOMAN (HEATHER MIDNIGHT), QIVI CHAIR (COCONUT)



IM#: 16-0015444

Private Yet Accessible

Focused concentration one minute—impromptu meeting the next. Elective Elements elegantly balances the privacy, visibility and accessibility leaders need to work effectively and efficiently. Layered and open storage options are designed to keep both professional tools and personal items visible and easily accessible.



IM#: 16-0042038 | SM: ELECTIVE ELEMENTS (DESERT OAK WITH DARK BRONZE LEG AND WINTER BACK PAINTED GLASS), GESTURE CHAIR (REMIX PEBBLE), SW_1 LOUNGE (DESIGNTEX ROTHESAY MARBLE), MEDIA:SCAPE, SOTO LIGHT

Versatility Without Compromise

With limitless configurations, Elective Elements creates a range of applications with a similar visual language—from smaller spaces to larger, more open settings. Featuring wall-mounted, panel-supported and freestanding components, Elective Elements gives leaders the ability to effectively manage the changing needs of their teams while maintaining a refined aesthetic.

Integrated technology provides easy access to power and data, while storage and panel heights can be used to establish boundaries for privacy or deeper team interaction and integration.



IM#: 14-0001713



IM#: 16-0015443 | SM: ELECTIVE ELEMENTS (ESPRESSO OAK, ARCTIC WHITE LAMINATE WITH PLATINUM LEG), V.I.A., THINK CHAIR (REMIX 762), LED PERSONAL TASK LIGHT



IM#: 16-0015442 | SM: ELECTIVE ELEMENTS STORAGE (ARCTIC WHITE LAMINATE), OLOGY HEIGHT-ADJUSTABLE DESK (ASH WENGE LAMINATE WITH PLATINUM LEG), V.I.A., GESTURE CHAIR (REMIX 762), LAST MINUTE STOOL (HEATHER MIDNIGHT), DAVOS (DIVINA MELANGE 120), MASSAUD LOUNGE (HEATHER MIDNIGHT)



IM#: 14-0004047 | SM: ELECTIVE ELEMENTS (STORM WENGE LAMINATE, MILK LAMINATE WITH NEAR BLACK METALLIC LEG), GESTURE CHAIR (REMIX CONCRETE GRAY), DASH LIGHT, SOTO STORAGE BOXES

Material Difference

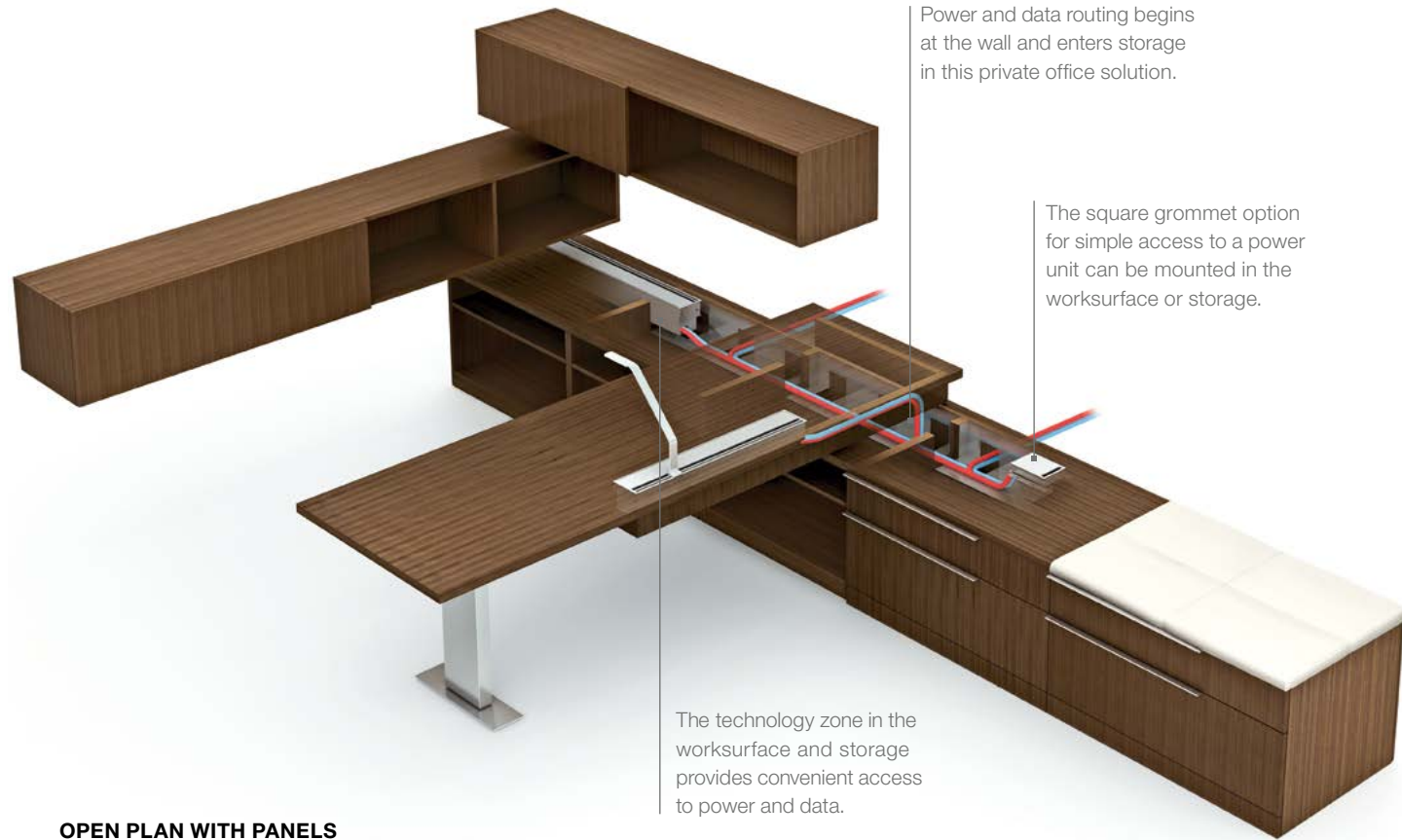
Rich veneers. Versatile laminates. Beautiful glass and metal finishes. Elective Elements offers an array of material choices, giving organizations extensive options to enhance their work environments and express their brands and cultures.



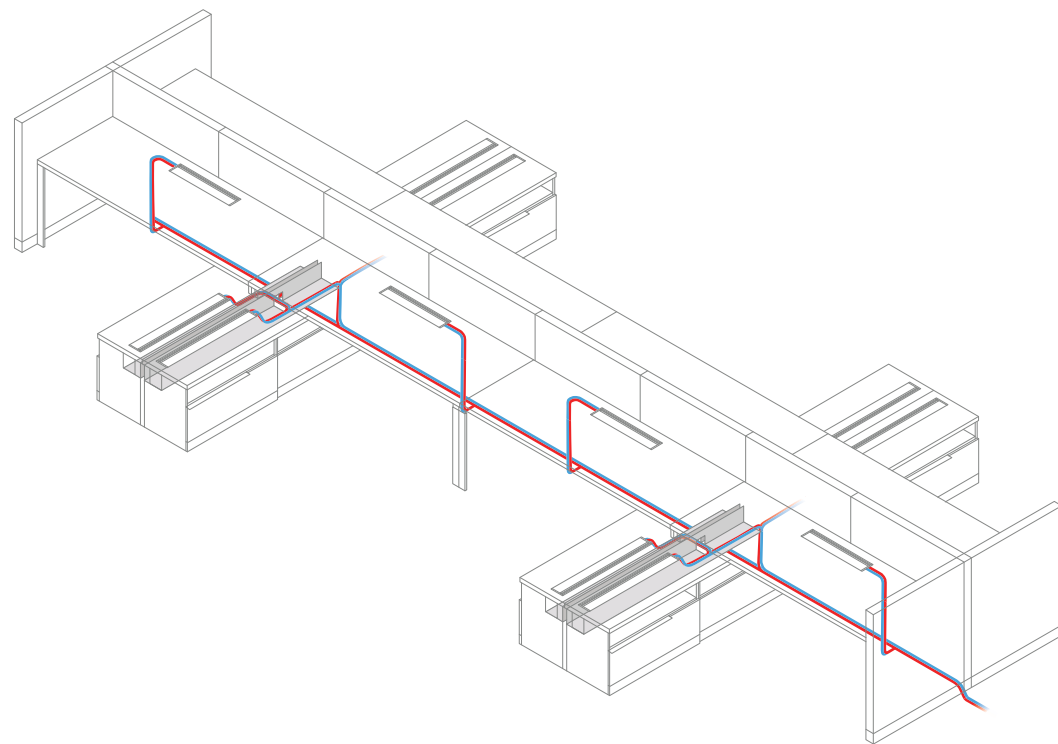
IM#: 16-0015447 | SM: ELECTIVE ELEMENTS (DESERT OAK, MIRROR BRONZE BACK PAINTED GLASS), V.I.A., OLOGY HEIGHT-ADJUSTABLE DESK (DESERT OAK WITH BLACK LEG), GESTURE CHAIR (DIVINA MELANGE 120), SOTO LIGHT, MASSAUD LOUNGE AND OTTOMAN (REMIX 762), MILBRAE SOFA (REMIX 143), SEBASTOPOL TABLE (OAK EXTERIOR WITH WHITE HIGH GLOSS INTERIOR), CH44 LADDERBACK CHAIR (BLACK LEATHER)

Power Data + Routing

PRIVATE OFFICE

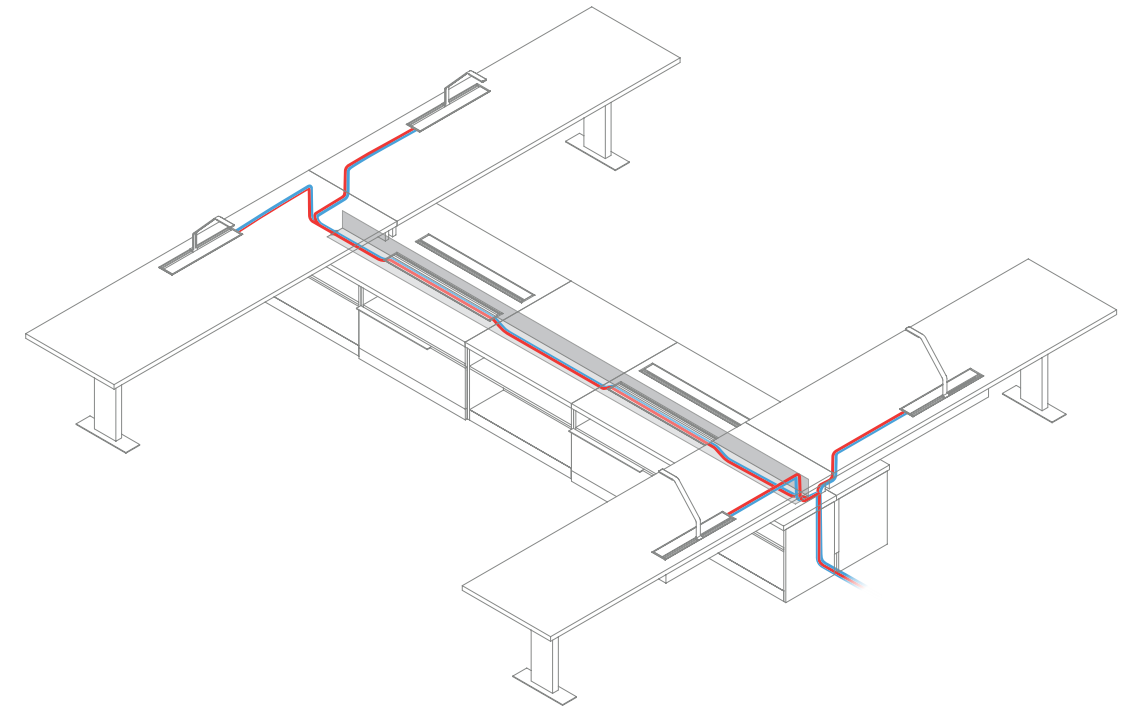


OPEN PLAN WITH PANELS



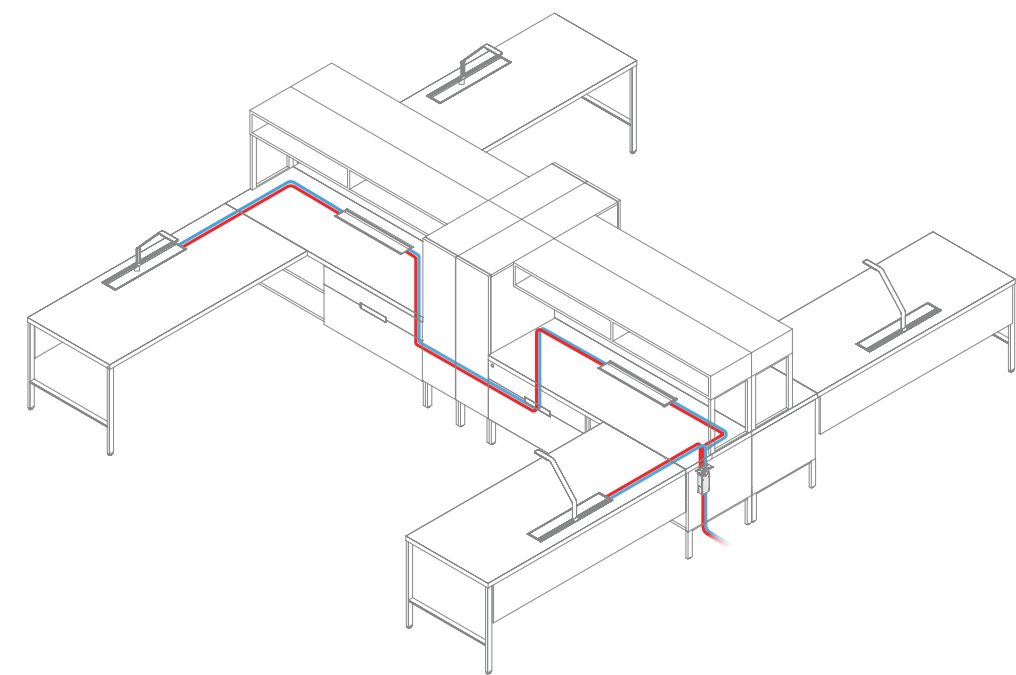
OPEN PLAN FREESTANDING

PLINTH-BASED POWER ROUTING IN AN OPEN PLAN SETTING



OPEN PLAN FREESTANDING

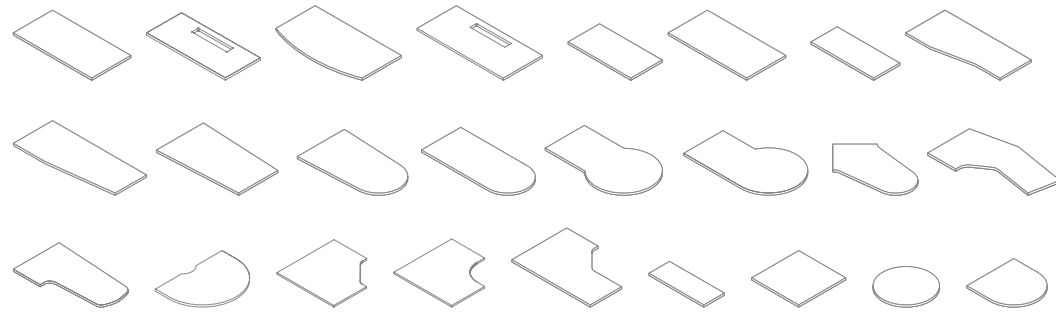
LEG-BASED POWER ROUTING IN AN OPEN PLAN SETTING



STATEMENT OF LINE

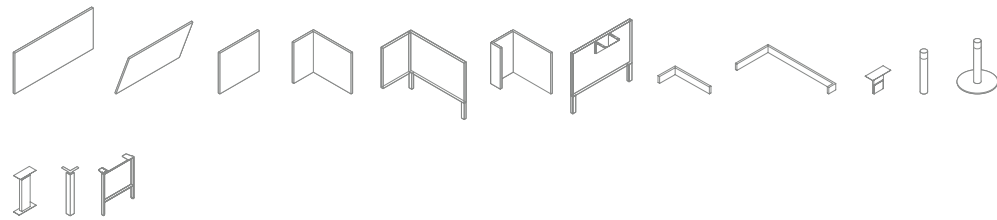
WORKSURFACES

Straight, Technology Straight, Desk, Technology Desk, Return, Desk Return, Bridge, Transition, Single Tapered, Tapered, Tapered Bullet, Bullet, Keyhole, P-top, Angled, Meeting, Extended Bullet, Spanner, Corner, Extended Corner, Transaction, Personal Table Tops



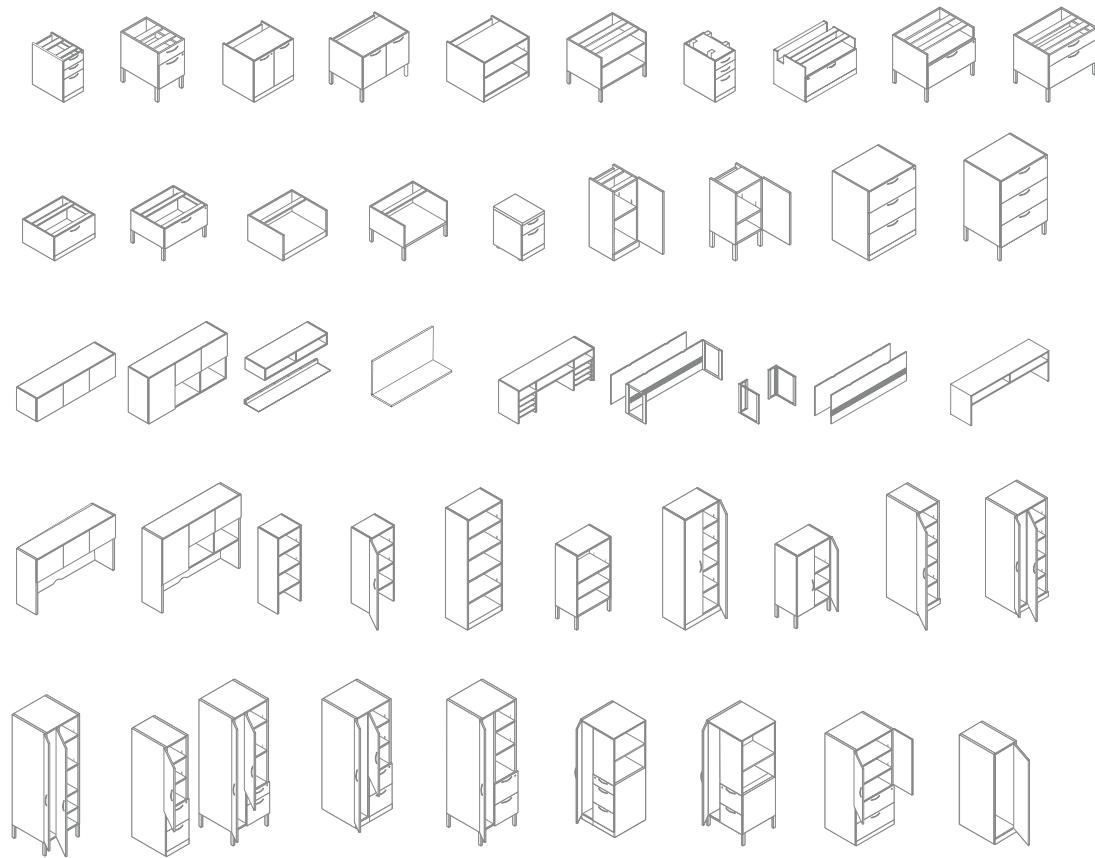
WORKSURFACE SUPPORTS

Modesty Panel, Technology Modesty Panel, End Panel, L-shape End Panel, J-shape End Panel, T-shape end Panel, Perpendicular Tether Support, Cable Shroud Support, Parallel Slip-fit Support, Column, Rectangular Column, Adjustable-height Leg, Gate Leg



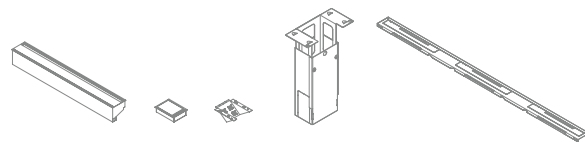
STORAGE

Pedestals with Drawers, Pedestals with Hinged Doors, Open Pedestals, Adjustable-height Pedestal, 1.5-high Storage, One-high Pedestals, Mobile Pedestal, High Pedestals, Lateral Files, Single-high Overhead Cabinet, Double-high Overhead Cabinet, Organizer Shelf, Blade Accessory Shelf, Floating Shelf, Desktop Organizer, Hutch Kit, Open Hutch Kit, Tackboard and Wood and Fabric Panel with Slatwall, Organizer Service Module, Single-high Service Module, Double-high Service Module, Stacking Bookcases, Freestanding Bookcases, Towers, Vertical Cabinets, Wardrobes,



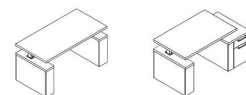
POWER, DATA AND LIGHTING

Technology zone, Power shroud, Light housing



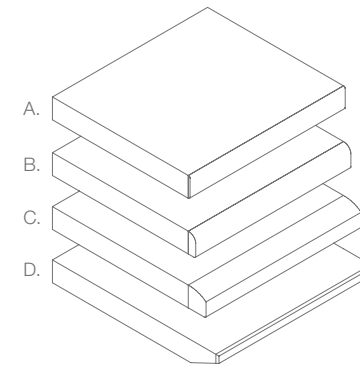
HEIGHT ADJUSTABLE DESKS

Height Adjustable Desk, Height Adjustable Desk, Partial Top, with Pedestal



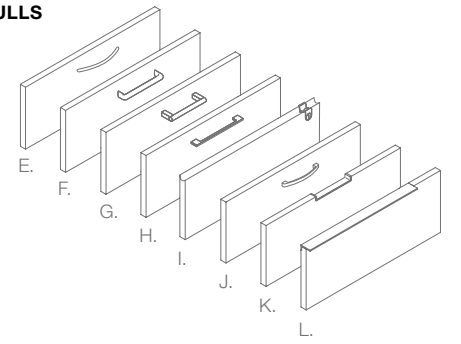
EDGE PROFILES

A. 3mm Square Edge: Laminate with Plastic Edge, Laminate with Wood Edge, Wood with Wood Edge
 B. Bullnose Edge: Laminate with Wood Edge, Wood with Wood Edge
 C. Waterfall Edge: Wood with Wood Edge
 D. Blade Edge: Laminate with Plastic Edge, Wood with Wood Edge



DRAWER/DOOR PULLS

E. Contemporary
 F. Jazz
 G. Bar
 H. Nile
 I. Integral
 J. Transitional
 K. Inset
 L. Beam



SUSTAINABILITY

At its heart, sustainability at Steelcase is about people. It's about creating and supporting the economic, environmental and social conditions that allow people and communities to reach their full potential. Research and insights direct our path. It's not only about creating goods, it's about creating good. It's not only about creating value, it's about living our values. It's not just about reducing our footprint, it's about expanding our reach. It's about creating lasting and meaningful change to enable the long-term wellbeing of current and future generations.

Innovative products and solutions result. In the development of our products, we work to consider each stage of the life cycle: from materials extraction, production, transport, use and reuse until the end of its life. We demonstrate performance through third-party verified certifications and voluntary product declarations.

Steelcase's sustainability promises, actions and results are communicated in an annual Corporate Sustainability Report.

SCS Indoor Advantage™ certified Gold

BIFMA level® 3 certified

MBDC Bronze Cradle to Cradle certified

FSC Controlled Wood

Steelcase®

Call 800.333.9939 or visit Steelcase.com

 facebook.com/Steelcase

 twitter.com/Steelcase

 youtube.com/SteelcaseTV

Item: #16-0000135 5/16 ©2016 Steelcase Inc. All rights reserved. All specifications subject to change without notice. Trademarks used herein are the property of Steelcase Inc. or of their respective owners. Printed in U.S.A. FSC certified.