



AIR-23

Reconfigurable, modular meeting rooms

orangebox



Product Description

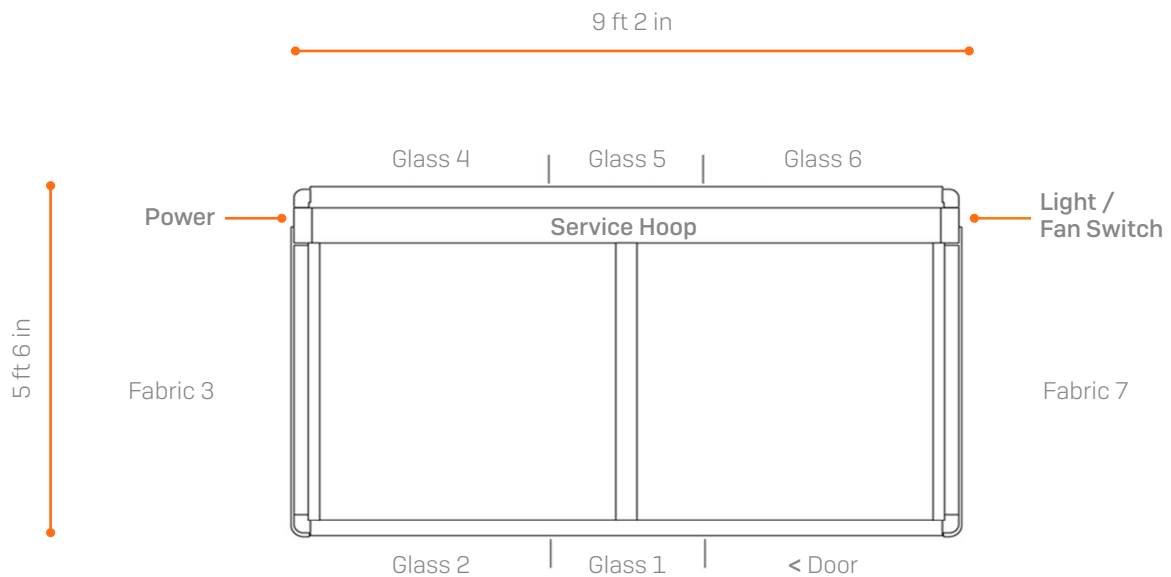
Launched in 2014, Orangebox's award-winning Air³ acoustic pod range can act as a freestanding meeting room, private space, phone booth or touchdown room. The Air³ combines new materials with a wider range of finishes and the most advanced room system on the market, all of which helps make it the world's most complete pod system.

Air³ has been designed as a scalable system, able to work globally. Its internationally patented opening roof system features an advanced fire safety system developed specifically for sprinklered office and other environments.

Interchangeable panels allow you to refresh your Air³ at will, swapping, changing and refreshing colors and fabrics to make it unique. Its combination of high quality glass and soft acoustic paneling delivers both a refined aesthetic and a high level of insulation and speech privacy.

Like all Orangebox pods, Air³ is demountable – so it can be moved, re-positioned or re-used to suit changing needs.

Our range of Air³ pods offer a pleasing variety of square, small and large private meeting spaces.



Top – AIR-23, Bottom – AIR-23 Technical Drawing

4.0 POD

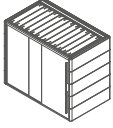


Image Location - AIR-23

Product Range

AIR-23

Half square opening roof

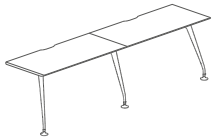


H89"
W110" D66"
Internal: W103" D61"

Integrated Tables

AIR-33

Long straight table



H29"
W103" D24"

AIR-34

Return table



H29"
W103" D59"

AIR-35

Short straight table



H29"
W101" D24"

Product Specification

Standard Product Description

Glass: Clear Glass.

Hoop Power: Service Hoop 3 x Power with Integrated Lighting and Control Panel.

Upholstery: Upholstered Internal and External Panels.

Fan: Air Circulation Fan.

Flexible Spaces

Air³ can be positioned anywhere within a building as long as there is a power / data connection point, as they are not part of the building structure. They can be relocated when the business needs change or even reconfigured if a different size room is required.

Optional Upcharges

Monitor Bracket: Over Upholstery Fixed Monitor Bracket as an upcharge.

Whiteboards: Straight Glass Magnetic Whiteboard as an upcharge.

Fixtures: Seismic Kit. Available on request if required.

Door Options: Door Lock or Ontario Compliant Door, AODA as an upcharge.

Orangebox Air³ pods with louvered roofs are ETL listed compliant to the UL 1286 Office Furnishings Safety Standard. This includes the entire assembly, not just individual components like the ventilation fans or lighting.

Minimum recommended ceiling height 8ft 4 13/32 inch to accommodate pod and fan.

Integrated Tables

Table Top Finishes:

Various finishes in Groups 1, 2, 3.

Group 1 - High Pressure Laminate options (HPL).

Group 2 - High Pressure Laminate options (HPL).

Group 3 - High Pressure Laminate options (HPL).

Open Line Laminate options (OLL).

Table Legs:

Silver or Black. Chrome/Polished as upcharge.

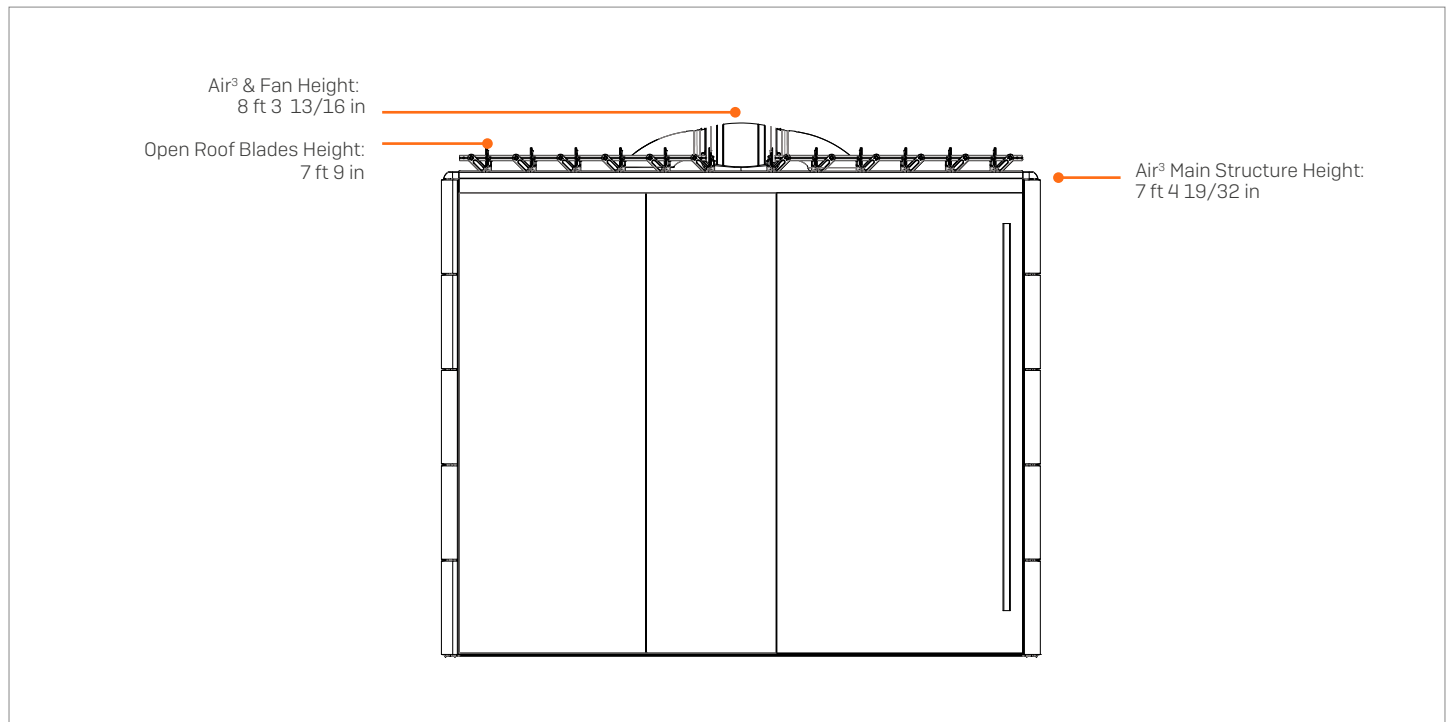


Roof

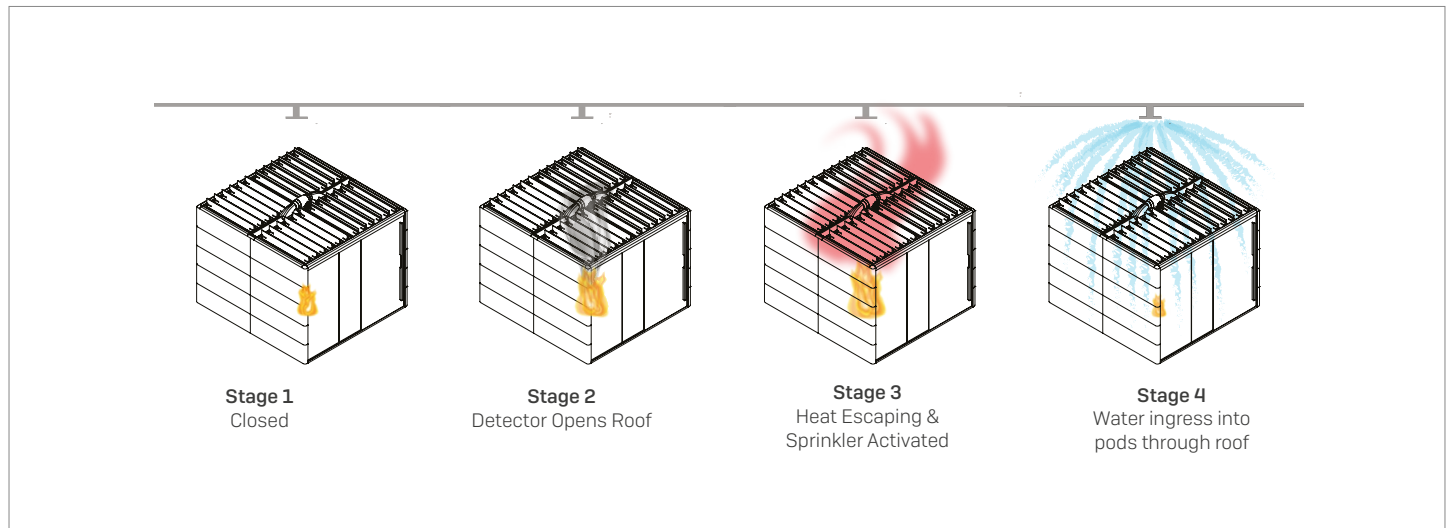
Air³ can be positioned anywhere within a building as long as there is a power / data connection point, as they are not part of the building structure. They can be relocated when the business needs change or even reconfigured if a different size room is required.

The opening roof is specifically designed to enable the Air³ to conform to fire standards below through creating "by default" sprinkler coverage to the inside of the rooms.

Opening Roof - Ceiling Height



Opening Roof - In the event of a fire



Electronic System/Power

It is the responsibility of the qualified site electrician to supply and install a suitable power connection to the building in accordance with local codes.

A suitable cable restraint must be fitted to the supplied 7/8 inch diameter opening.

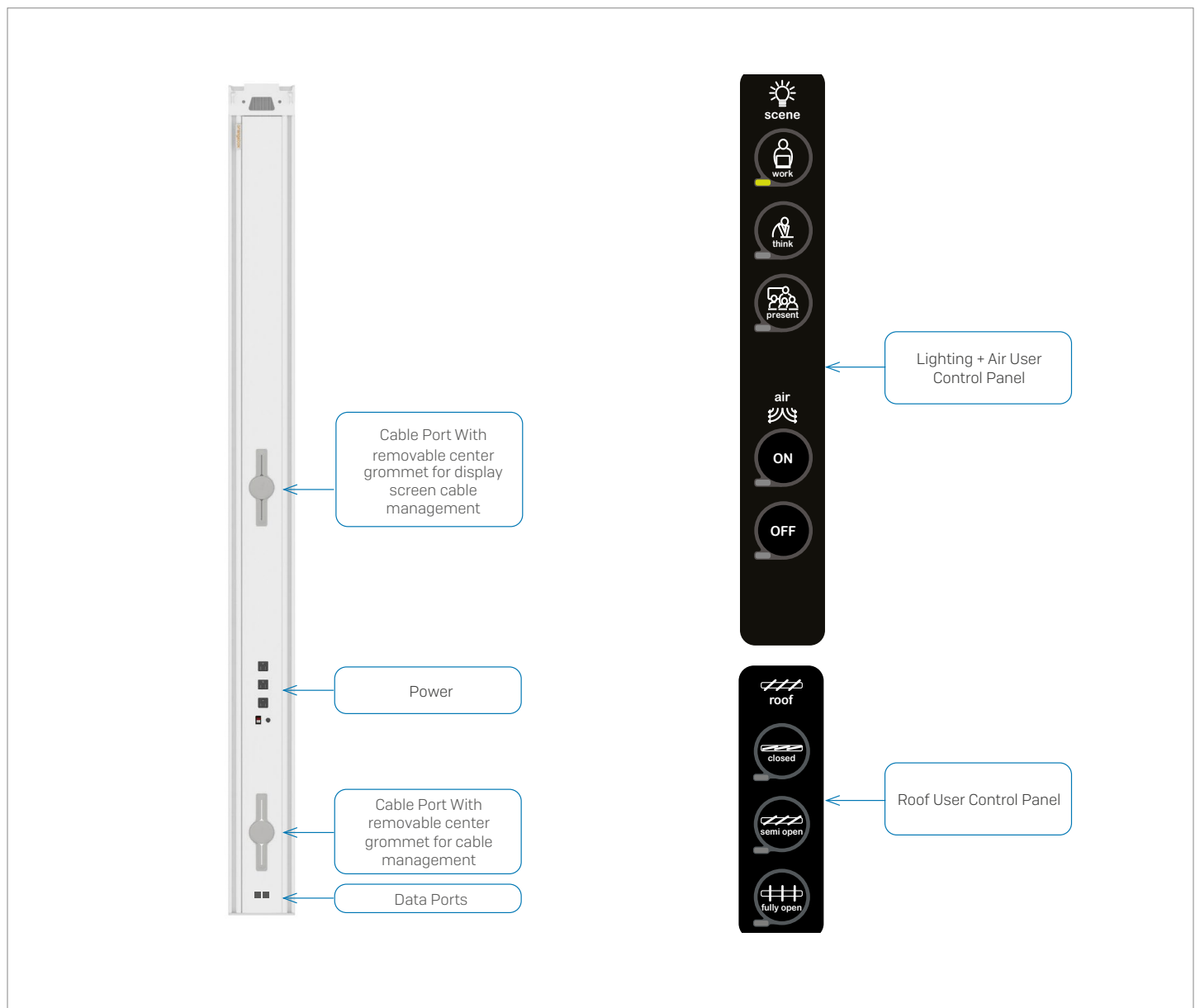
There are several types of conduits and cables that could be used in accordance with Chapter 3 of the NEC.

Occupied - 100w
(Not including any plugged in external equipment)

Unoccupied - 1w or Less

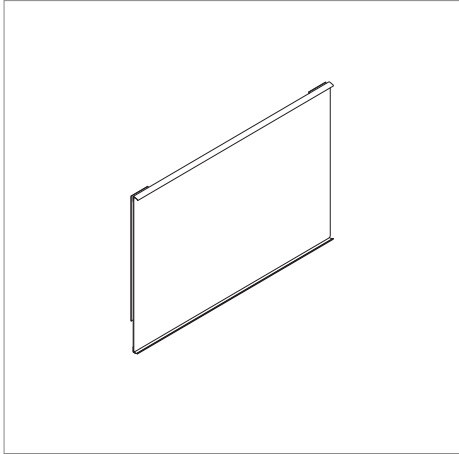
Power & Control Panel

Control panels allow you to manage scene, air and roof settings.



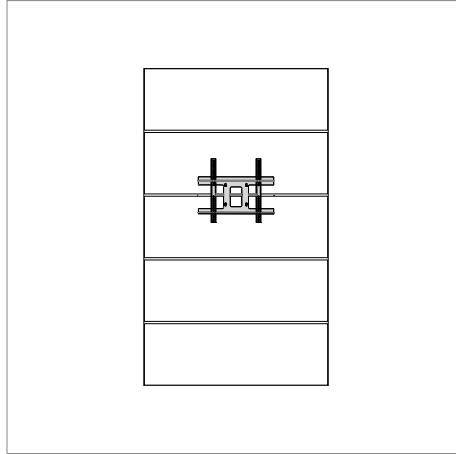
Accessories & Finishes

Air³ can be furnished with a variety of seating and tabling products to suit various workspace requirements. Whiteboards and monitor brackets can also be directly integrated into the Air³ structure.



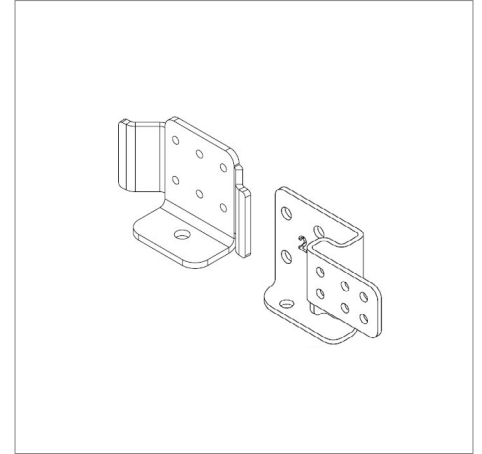
Glass Magnetic Whiteboards

- Whiteboards are positioned on layers 3 + 4 of the upholstery panels.
- The whiteboards can only be mounted on the internal screens.



Over Upholstery Fixed Monitor Bracket

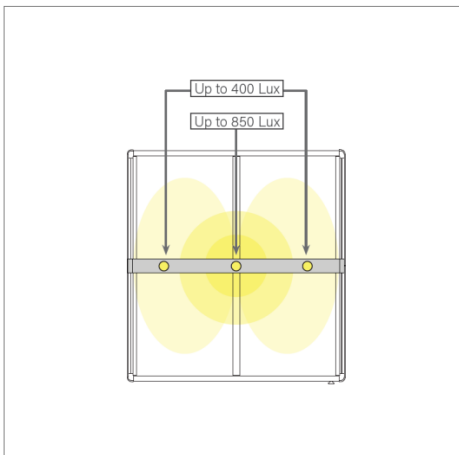
Max Weight 55lbs, 32-55" monitors only.



Seismic Bracket

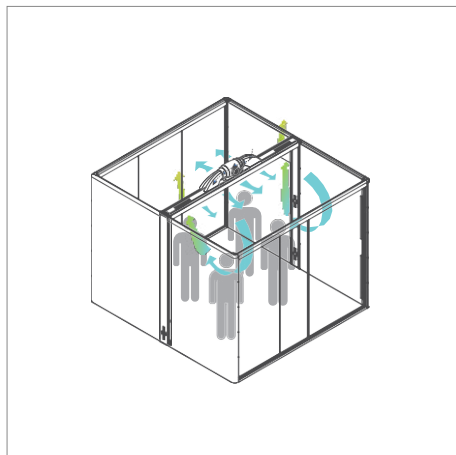
The seismic brackets are used to anchor the Air³ safely in your chosen position.

Standard Fittings



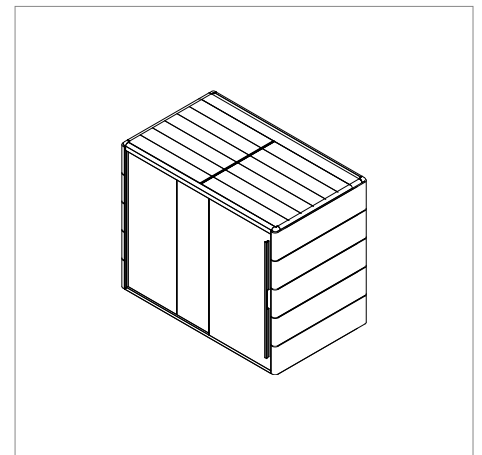
LED Lighting System

- High light output, low energy consumption.
- Extremely long lamp life - Min 5 Years.
- Recyclable.
- Zero Maintenance.



Air³ Circulation Fan

Air³ Handling Capability of the Air³ Fan CO₂ Level Outside Pod: 500ppm (parts per million)
 Required airflow rate per person:
 10 Liters/s Person = 40 Liters/s for 4 people Air³ Fan provides a maximum of 380m³/hr = 105 Liters/s.

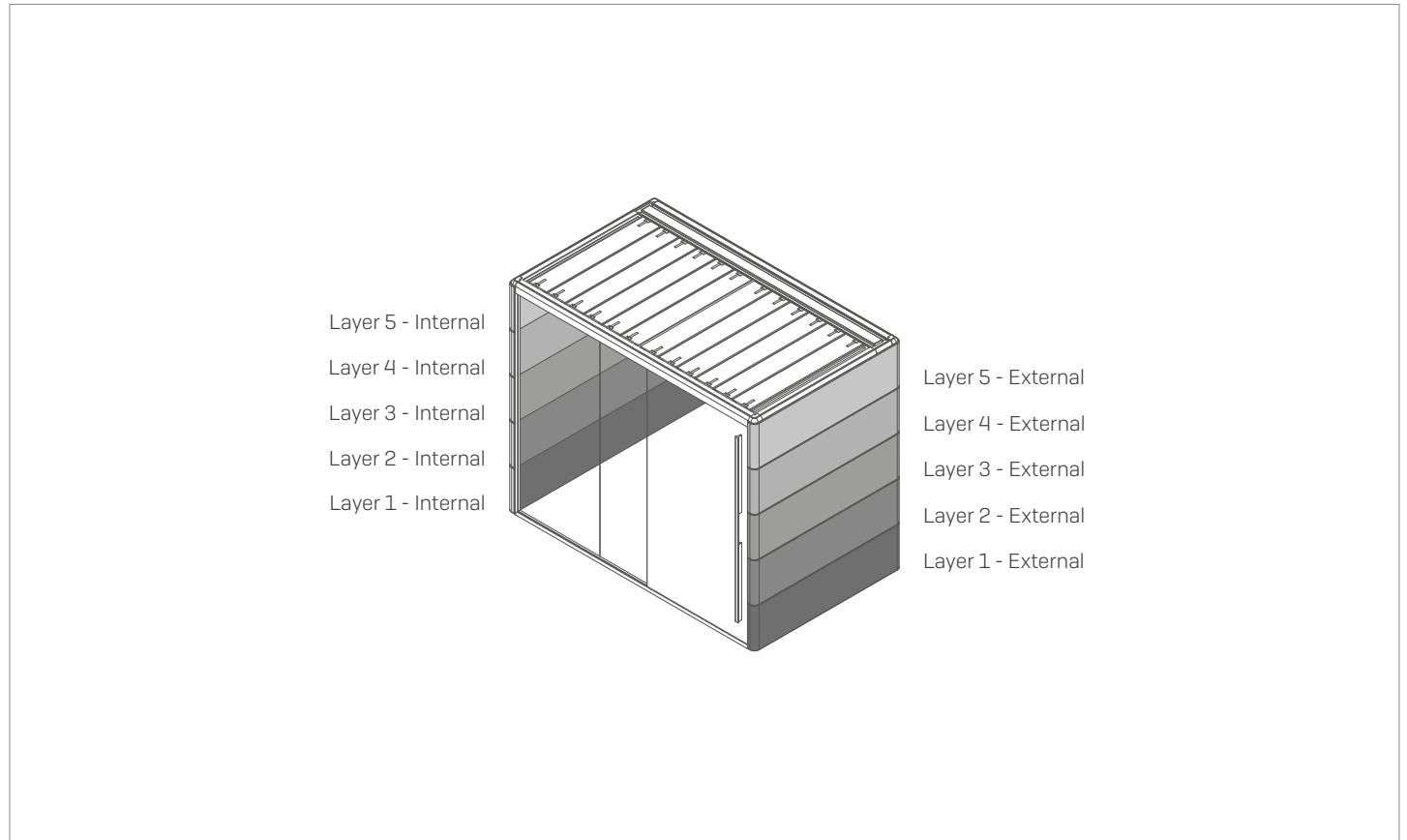


Doors

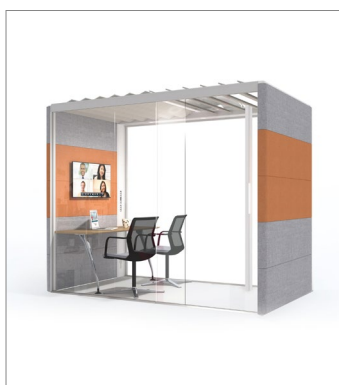
Door opens from right to left as standard. Not specified on/at order but at time of install if required.

Fabric Option Diagrams

Air³ can be customized with a range of fabric choices on upholstered panels.

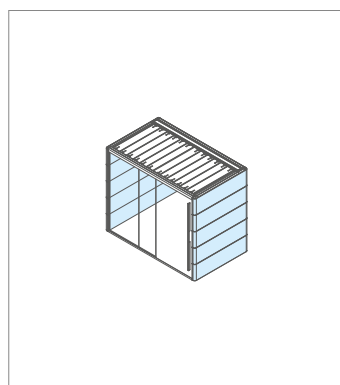


*Please see our Surface Materials Guide or contact your regional Orangebox representative for information on approved fabrics.



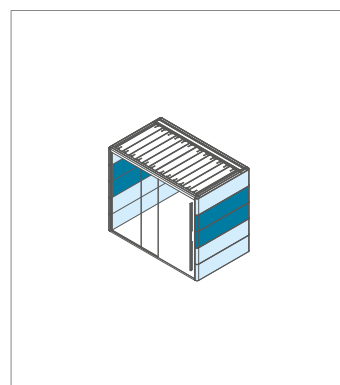
Color Options

Options use different color, layers and gradation to personalize your pod. Different fabric type or color can be specified internally and externally.



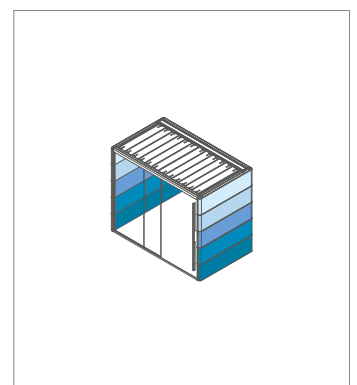
Single

You can specify 1 single color, alternatively you can have 1 color internal and a different color external.



Layered

Layers 3 + 4 shown in a different color. Again, you can specify this differently internally to externally. Even selecting different layers.

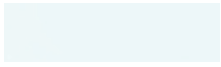


Gradation

Choose from Orangebox's standard gradation colors.

Product Finishes

Glass



Clear Glass

Table Legs



Silver



Black



Polished Chrome

Table Tops - Group 01 High Pressure Laminate



Vanadium Fiber



Tungsten Fiber



Vellum Fiber



Granite Fiber



Stucco Fiber



Marl Micro



Gypsum Micro



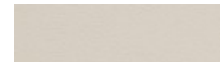
Clay Micro



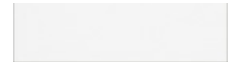
Blonde Bronze Patina



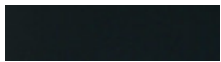
Instant Iron Patina



Cream



Arctic White



Black



Mist



Seagull



Milk



Dune



Merle



Coffee Speckle



Driftwood Speckle



Smoke Speckle



Vanadium Speckle



Clear Cherry



Clear Maple



Graphite Walnut



Natural Cherry



Medium Cherry



Winter on Maple



Clear Walnut



Blonde on Maple



Natural Walnut



Medium Mahogany on Walnut



Clear Oak



Ash Noce



Acacia



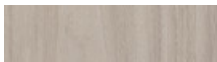
Ash Wenge



Bisque Noce



Bisque Wenge



Clay Noce



Clay Wenge



Storm Noce



Storm Wenge



Virginia Walnut



Blackwood



Marbled Maple



Chocolate Walnut



Marbled Cherry



Persian Salt



Rose



Indigo



Green Citrine



Dark Olivine



Cloudy



Grey Kingswood



Planked Walnut



Resolute Walnut



Natural Recon



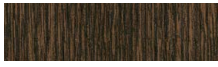
Smoked Walnut

Product Finishes

Table Tops - Group 02 High Pressure Laminate



Fawn Cypress



Saddle Oak



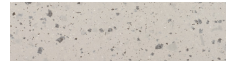
Veranda Teak



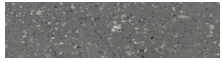
Walnut Heights



Cement



Reclaimed Aggregate



Reclaimed Gravel



Sheetrock

Table Tops - Group 03 High Pressure Laminate



Satin White



Satin Black



Satin Stone



Satin Mocha

*Open line laminates are available; please contact your regional Orangebox representative for more information.

Contact

us.support@orangebox.com

Information valid until 10/31/2021.

Please refer to full retail price list for all additional extras. For product dimensions and grade confirmations please refer to price list and surface materials document. COM grades are graded as group 1 with the grade to be purchased by the Orangebox dealer or client at an additional cost. Please contact your regional Orangebox representative for more information.