



Beyond the Desk

Furniture solutions for our hybrid world of work

orangebox



Environmental Impact

Product Carbon Footprint

Orangebox generates carbon footprint data for all the product ranges we offer in our portfolio using a Cradle to Gate boundary. Our footprints use material specific GWP values where known and industry average data in all other instances. We include manufacturing impacts from the industrial processes used to make our component parts and Orangebox operational impacts. We also capture at least 2 stages of material transportation impacts for each component part.

ISO 14001 Compliance

Orangebox's Environmental Management System [EMS] is certified to ISO14001:2015. We recognise that the manufacture of our furniture has an impact on the environment and use our EMS to proactively measure and reduce those impacts year on year.

Volatile Organic Compounds

Beyond the Desk has been accredited to the Gold rating of Intertek's Clean Air VOC certification. This demonstrates extremely low levels of VOC emissions from the chair and can also help score points within building accreditation schemes like LEED & WELL, as well as conformance to ANSI/ BIFMA 3 standard credits 7.6.1 & 7.6.2.

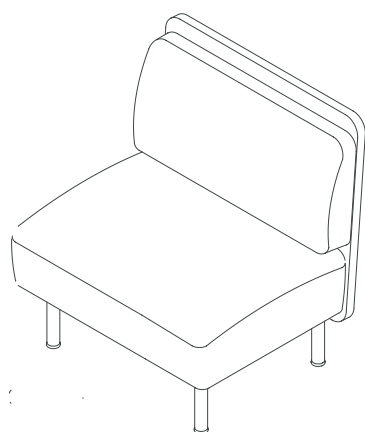
Furniture Industry Sustainability Program (FISP)

Orangebox is a full member of FISP and as such, Beyond the Desk has full compliance within projects seeking to achieve RICS SKA Rating.



CERTIFIED
CLEAN AIR GOLD

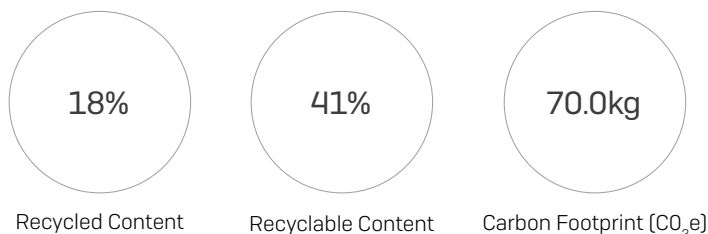




BD-01

Total Product weight: 32.4kg

Based on model code BD-01 upholstered in a 100% recycled polyester fabric (please note that fabric choice can affect the overall carbon footprint value)

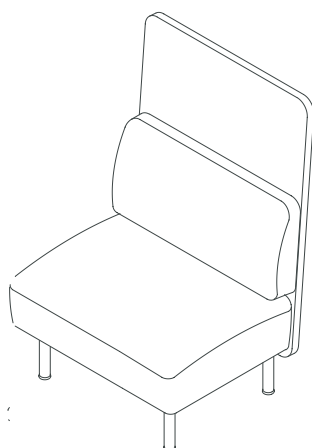


Materials Weight (%)

Material	% of total weight
Steel	23.0
Wood	51.5
Plastic	0.8
Foam	16.3
Fabric	5.4
Packaging - cardboard	2.0
Packaging - plastic	1.0

Carbon Footprint (%)

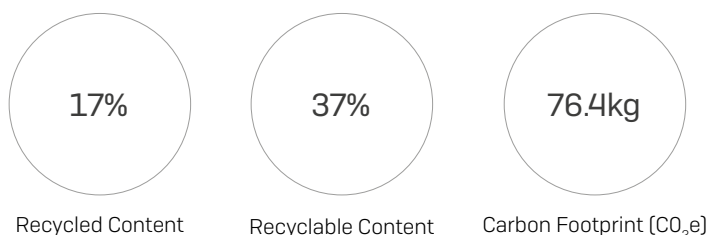
Embodied carbon	% of total footprint
A1: Raw Material Production	66
A2: Upstream transportation	12
A3: Manufacturing impacts	22



BD-02

Total Product weight: 35.5kg

Based on model code BD-02 upholstered in a 100% recycled polyester fabric (please note that fabric choice can affect the overall carbon footprint value)

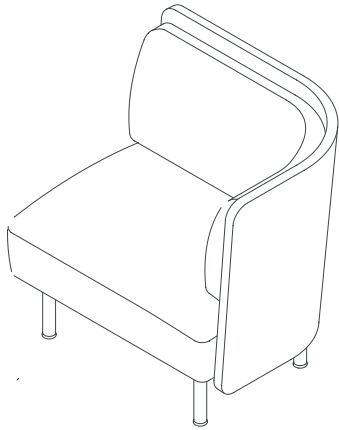


Materials Weight (%)

Material	% of total weight
Steel	21.0
Wood	55.2
Plastic	0.8
Foam	15.3
Fabric	5.0
Packaging - cardboard	1.8
Packaging - plastic	0.9

Carbon Footprint (%)

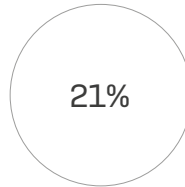
Embodied carbon	% of total footprint
A1: Raw Material Production	66
A2: Upstream transportation	12
A3: Manufacturing impacts	22



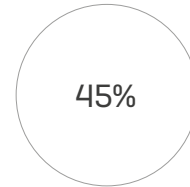
BD-03

Total Product weight: 37.9kg

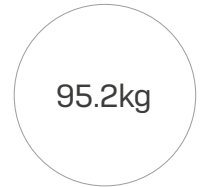
Based on model code BD-03 upholstered in a 100% recycled polyester fabric (please note that fabric choice can affect the overall carbon footprint value)



Recycled Content



Recyclable Content



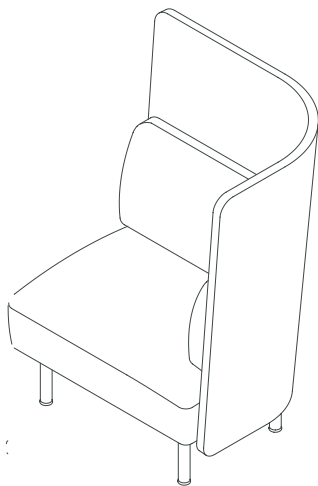
Carbon Footprint (CO₂e)

Materials Weight [%]

Material	% of total weight
Steel	24.6
Wood	46.4
Plastic	1.8
Foam	17.8
Fabric	5.2
Packaging - cardboard	1.7
Packaging - plastic	2.4

Carbon Footprint [%]

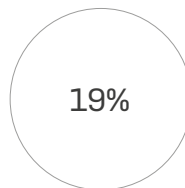
Embodied carbon	% of total footprint
A1: Raw Material Production	67
A2: Upstream transportation	7
A3: Manufacturing impacts	26



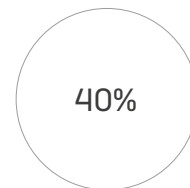
BD-04

Total Product weight: 41.9kg

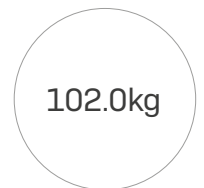
Based on model code BD-04 upholstered in a 100% recycled polyester fabric (please note that fabric choice can affect the overall carbon footprint value)



Recycled Content



Recyclable Content



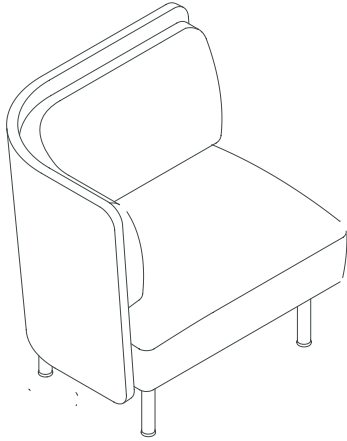
Carbon Footprint (CO₂e)

Materials Weight [%]

Material	% of total weight
Steel	22.2
Wood	50.6
Plastic	1.7
Foam	17
Fabric	4.7
Packaging - cardboard	1.5
Packaging - plastic	2.2

Carbon Footprint [%]

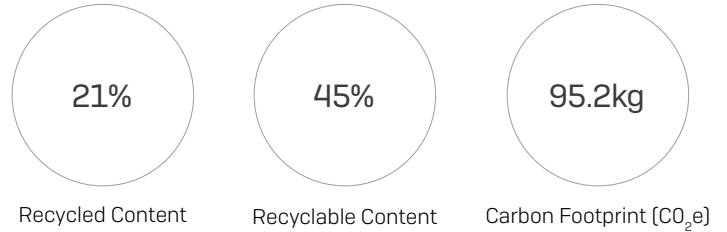
Embodied carbon	% of total footprint
A1: Raw Material Production	67
A2: Upstream transportation	7
A3: Manufacturing impacts	26



BD-05

Total Product weight: 37.9kg

Based on model code BD-05 upholstered in a 100% recycled polyester fabric (please note that fabric choice can affect the overall carbon footprint value)

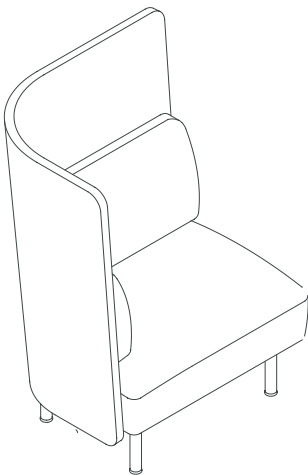


Materials Weight (%)

Material	% of total weight
Steel	24.6
Wood	46.4
Plastic	1.8
Foam	17.8
Fabric	5.2
Packaging - cardboard	1.7
Packaging - plastic	2.4

Carbon Footprint (%)

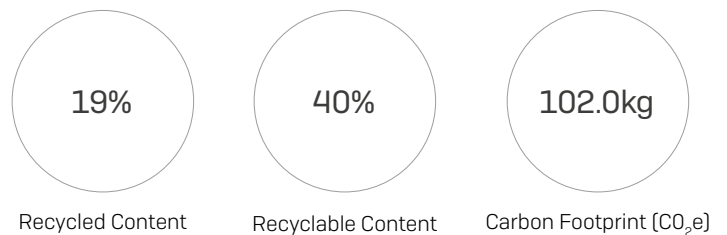
Embodied carbon	% of total footprint
A1: Raw Material Production	67
A2: Upstream transportation	7
A3: Manufacturing impacts	26



BD-06

Total Product weight: 41.9kg

Based on model code BD-06 upholstered in a 100% recycled polyester fabric (please note that fabric choice can affect the overall carbon footprint value)

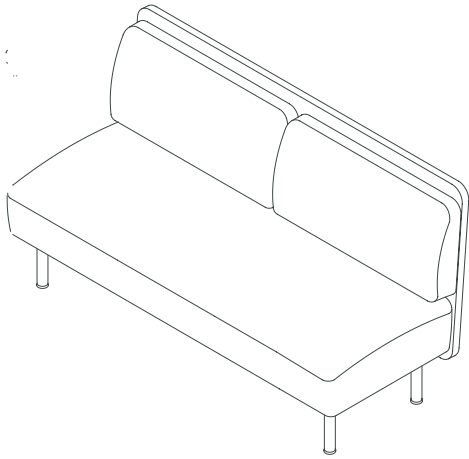


Materials Weight (%)

Material	% of total weight
Steel	22.2
Wood	50.6
Plastic	1.7
Foam	17
Fabric	4.7
Packaging - cardboard	1.5
Packaging - plastic	2.2

Carbon Footprint (%)

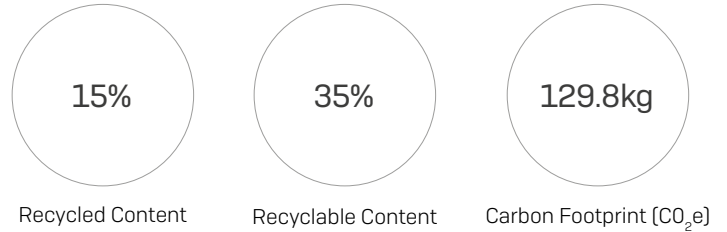
Embodied carbon	% of total footprint
A1: Raw Material Production	67
A2: Upstream transportation	7
A3: Manufacturing impacts	26



BD-11

Total Product weight: 59.2kg

Based on model code BD-11 upholstered in a 100% recycled polyester fabric (please note that fabric choice can affect the overall carbon footprint value)

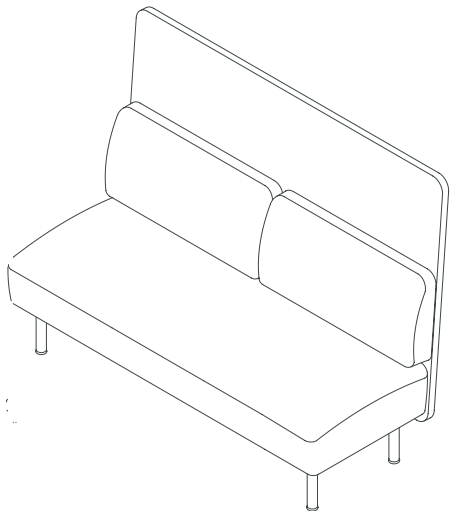


Materials Weight (%)

Material	% of total weight
Steel	15.9
Wood	51.9
Plastic	6.3
Foam	18.4
Fabric	5.5
Packaging - cardboard	1.1
Packaging - plastic	0.9

Carbon Footprint (%)

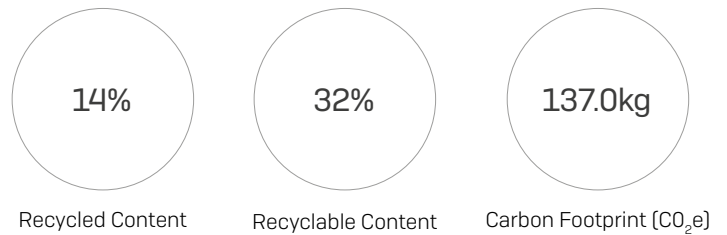
Embodied carbon	% of total footprint
A1: Raw Material Production	67
A2: Upstream transportation	12
A3: Manufacturing impacts	21



BD-12

Total Product weight: 64.4kg

Based on model code BD-12 upholstered in a 100% recycled polyester fabric (please note that fabric choice can affect the overall carbon footprint value)

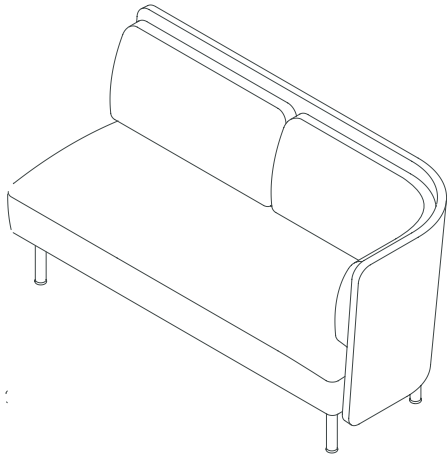


Materials Weight (%)

Material	% of total weight
Steel	14.6
Wood	55.8
Plastic	5.8
Foam	17.1
Fabric	5.0
Packaging - cardboard	1.0
Packaging - plastic	0.7

Carbon Footprint (%)

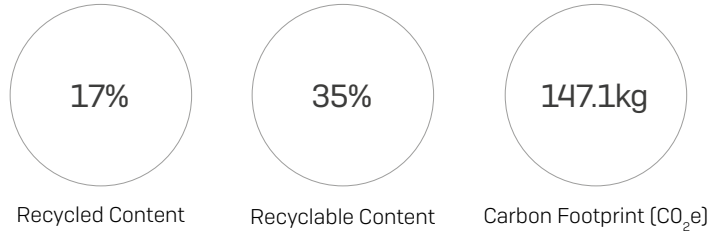
Embodied carbon	% of total footprint
A1: Raw Material Production	66
A2: Upstream transportation	12
A3: Manufacturing impacts	22



BD-13

Total Product weight: 61kg

Based on model code BD-13 upholstered in a 100% recycled polyester fabric (please note that fabric choice can affect the overall carbon footprint value)

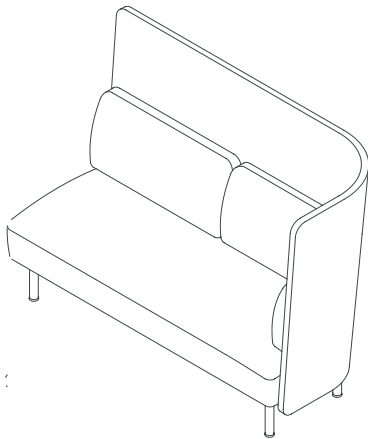


Materials Weight (%)

Material	% of total weight
Steel	15.3
Wood	53.6
Plastic	2.6
Foam	19.1
Fabric	7.0
Packaging - cardboard	1.0
Packaging - plastic	1.4

Carbon Footprint (%)

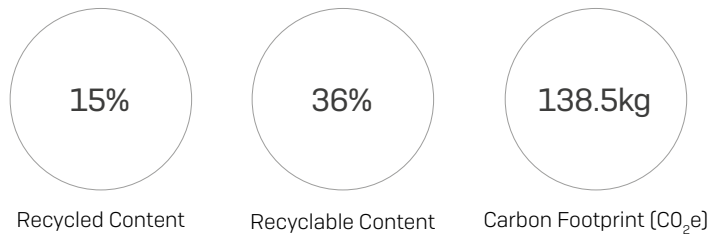
Embodied carbon	% of total footprint
A1: Raw Material Production	67
A2: Upstream transportation	8
A3: Manufacturing impacts	25



BD-14

Total Product weight: 68kg

Based on model code BD-14 upholstered in a 100% recycled polyester fabric (please note that fabric choice can affect the overall carbon footprint value)

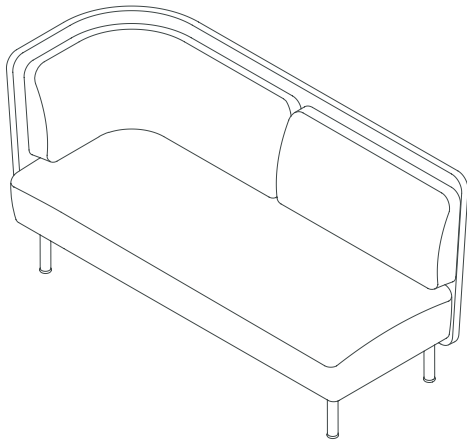


Materials Weight (%)

Material	% of total weight
Steel	13.7
Wood	57.6
Plastic	2.3
Foam	17.8
Fabric	6.2
Packaging - cardboard	1.0
Packaging - plastic	1.4

Carbon Footprint (%)

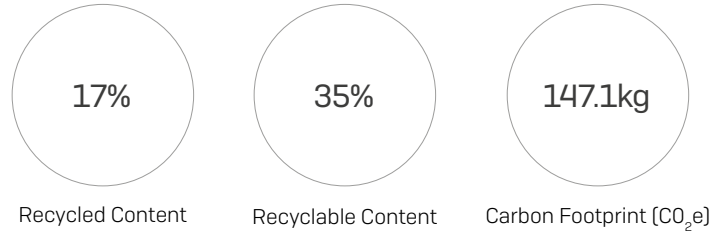
Embodied carbon	% of total footprint
A1: Raw Material Production	66
A2: Upstream transportation	9
A3: Manufacturing impacts	25



BD-15

Total Product weight: 61kg

Based on model code BD-15 upholstered in a 100% recycled polyester fabric (please note that fabric choice can affect the overall carbon footprint value)

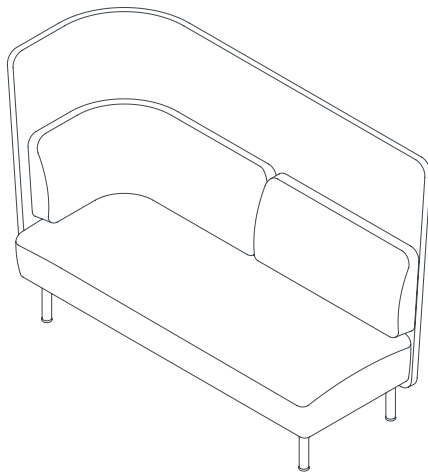


Materials Weight (%)

Material	% of total weight
Steel	15.3
Wood	53.6
Plastic	2.6
Foam	19.1
Fabric	7.0
Packaging - cardboard	1.0
Packaging - plastic	1.4

Carbon Footprint (%)

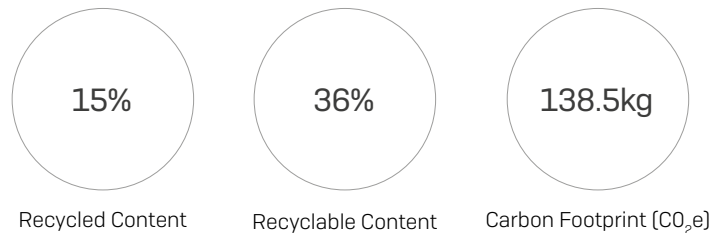
Embodied carbon	% of total footprint
A1: Raw Material Production	67
A2: Upstream transportation	8
A3: Manufacturing impacts	25



BD-16

Total Product weight: 68kg

Based on model code BD-16 upholstered in a 100% recycled polyester fabric (please note that fabric choice can affect the overall carbon footprint value)

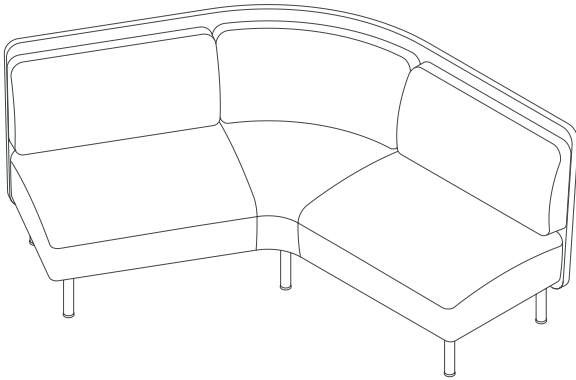


Materials Weight (%)

Material	% of total weight
Steel	13.7
Wood	57.6
Plastic	2.3
Foam	17.8
Fabric	6.2
Packaging - cardboard	1.0
Packaging - plastic	1.4

Carbon Footprint (%)

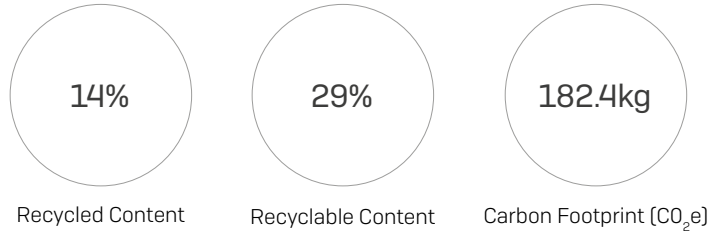
Embodied carbon	% of total footprint
A1: Raw Material Production	66
A2: Upstream transportation	9
A3: Manufacturing impacts	25



BD-21

Total Product weight: 83.5kg

Based on model code BD-21 upholstered in a 100% recycled polyester fabric (please note that fabric choice can affect the overall carbon footprint value)

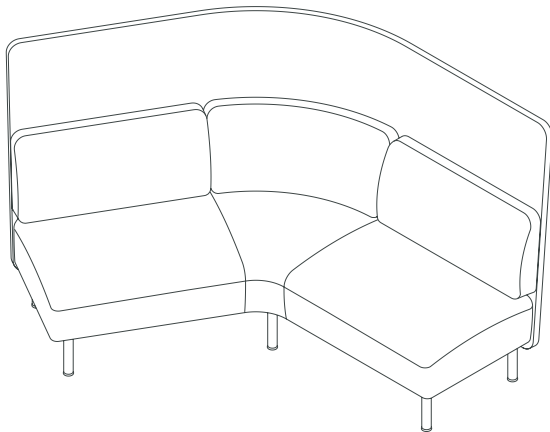


Materials Weight (%)

Material	% of total weight
Steel	15.4
Wood	51.5
Plastic	8.8
Foam	16.3
Fabric	6.1
Packaging - cardboard	0.8
Packaging - plastic	1.1

Carbon Footprint (%)

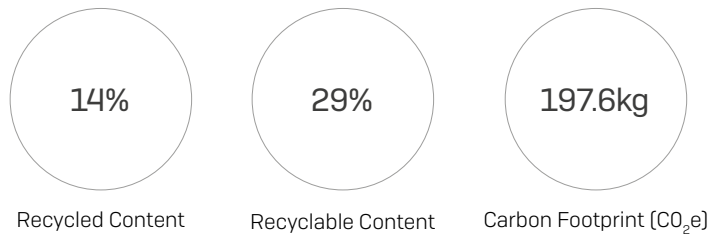
Embodied carbon	% of total footprint
A1: Raw Material Production	68
A2: Upstream transportation	11
A3: Manufacturing impacts	21



BD-22

Total Product weight: 92.9kg

Based on model code BD-22 upholstered in a 100% recycled polyester fabric (please note that fabric choice can affect the overall carbon footprint value)

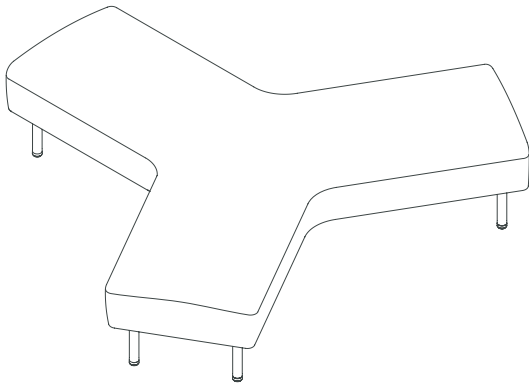


Materials Weight (%)

Material	% of total weight
Steel	13.7
Wood	55.2
Plastic	7.9
Foam	15.9
Fabric	5.5
Packaging - cardboard	0.7
Packaging - plastic	1.0

Carbon Footprint (%)

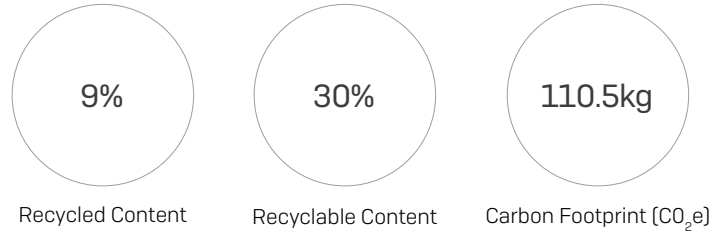
Embodied carbon	% of total footprint
A1: Raw Material Production	67
A2: Upstream transportation	11
A3: Manufacturing impacts	22



BD-31

Total Product weight: 54.9kg

Based on model code BD-31 upholstered in a 100% recycled polyester fabric (please note that fabric choice can affect the overall carbon footprint value)

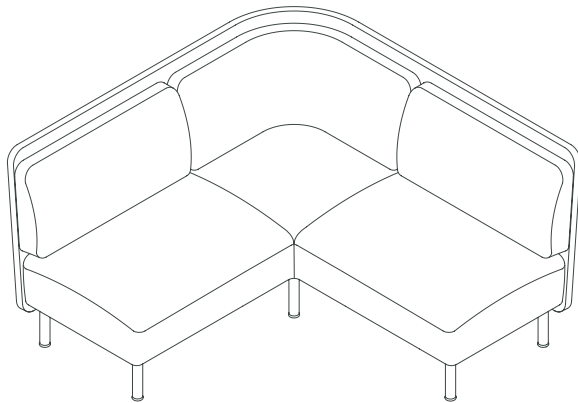


Materials Weight (%)

Material	% of total weight
Steel	9.0
Wood	64.4
Plastic	1.1
Foam	19.4
Fabric	3.9
Packaging - cardboard	1.2
Packaging - plastic	0.8

Carbon Footprint (%)

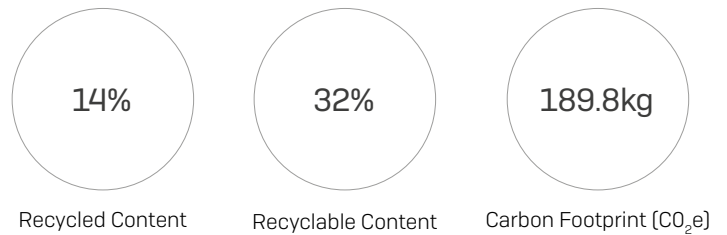
Embodied carbon	% of total footprint
A1: Raw Material Production	61
A2: Upstream transportation	16
A3: Manufacturing impacts	23



BD-41

Total Product weight: 87.6kg

Based on model code BD-41 upholstered in a 100% recycled polyester fabric (please note that fabric choice can affect the overall carbon footprint value)

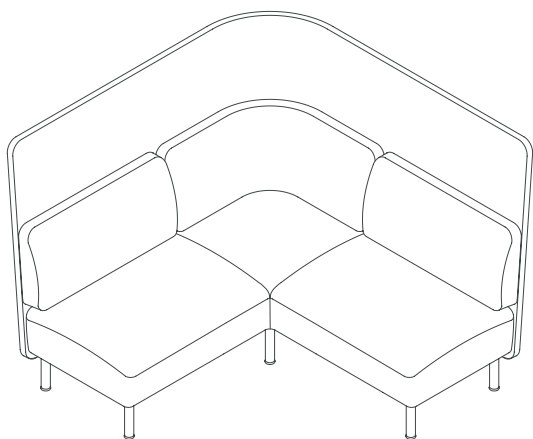


Materials Weight (%)

Material	% of total weight
Steel	14.7
Wood	53.0
Plastic	7.7
Foam	16.9
Fabric	6.0
Packaging - cardboard	0.7
Packaging - plastic	1.0

Carbon Footprint (%)

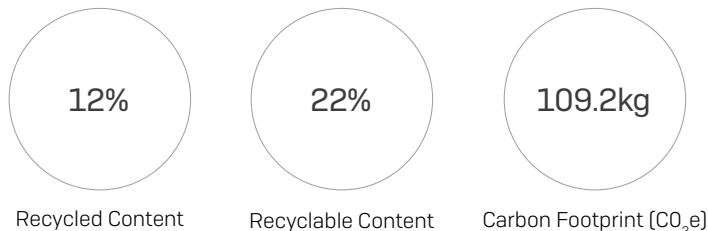
Embodied carbon	% of total footprint
A1: Raw Material Production	68
A2: Upstream transportation	11
A3: Manufacturing impacts	21



BD-42

Total Product weight: 100.6kg

Based on model code BD-42 upholstered in a 100% recycled polyester fabric (please note that fabric choice can affect the overall carbon footprint value)

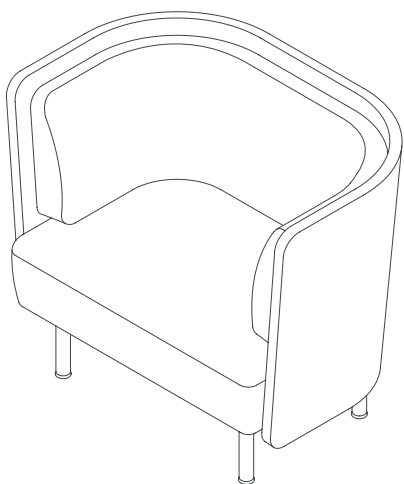


Materials Weight (%)

Material	% of total weight
Steel	12.7
Wood	58.6
Plastic	6.7
Foam	15.2
Fabric	5.2
Packaging - cardboard	0.7
Packaging - plastic	1.0

Carbon Footprint (%)

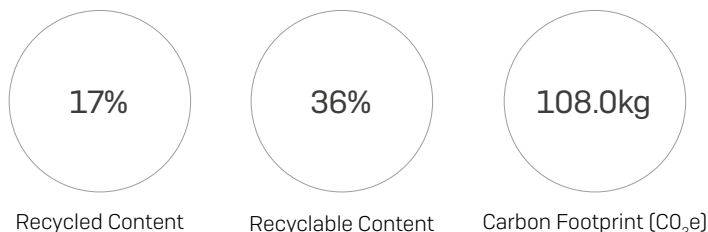
Embodied carbon	% of total footprint
A1: Raw Material Production	66
A2: Upstream transportation	12
A3: Manufacturing impacts	22



BD-51

Total Product weight: 50kg

Based on model code BD-51 upholstered in a 100% recycled polyester fabric (please note that fabric choice can affect the overall carbon footprint value)

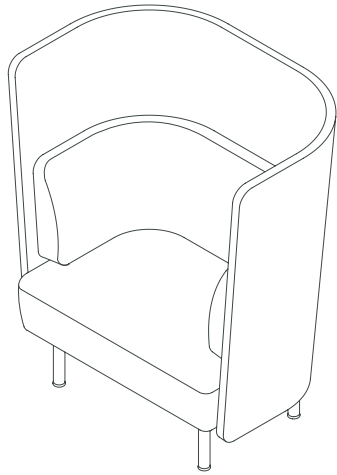


Materials Weight (%)

Material	% of total weight
Steel	18.8
Wood	54.5
Plastic	1.4
Foam	16.3
Fabric	5.8
Packaging - cardboard	1.3
Packaging - plastic	1.9

Carbon Footprint (%)

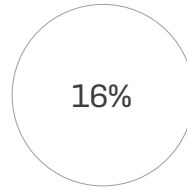
Embodied carbon	% of total footprint
A1: Raw Material Production	68
A2: Upstream transportation	11
A3: Manufacturing impacts	21



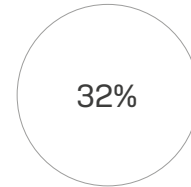
BD-52

Total Product weight: 56.3kg

Based on model code BD-52 upholstered in a 100% recycled polyester fabric (please note that fabric choice can affect the overall carbon footprint value)



Recycled Content



Recyclable Content



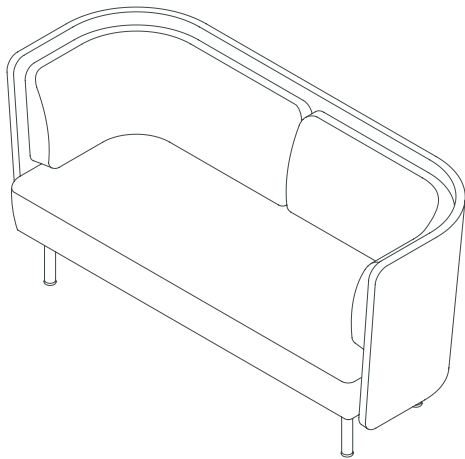
Carbon Footprint (CO₂e)

Materials Weight (%)

Material	% of total weight
Steel	16.7
Wood	58.6
Plastic	1.6
Foam	15.2
Fabric	5.1
Packaging - cardboard	1.2
Packaging - plastic	1.6

Carbon Footprint (%)

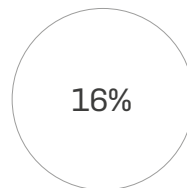
Embodied carbon	% of total footprint
A1: Raw Material Production	67
A2: Upstream transportation	7
A3: Manufacturing impacts	26



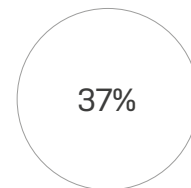
BD-61

Total Product weight: 65.2kg

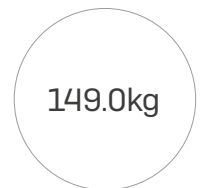
Based on model code BD-61 upholstered in a 100% recycled polyester fabric (please note that fabric choice can affect the overall carbon footprint value)



Recycled Content



Recyclable Content



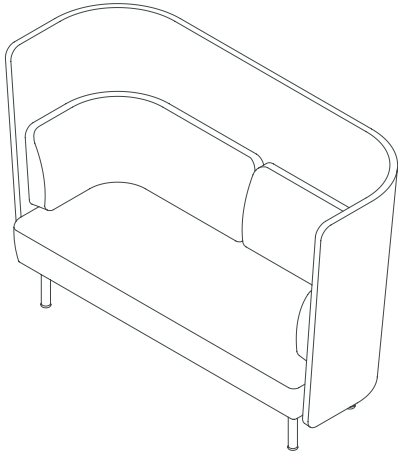
Carbon Footprint (CO₂e)

Materials Weight (%)

Material	% of total weight
Steel	17.3
Wood	58.8
Plastic	5.8
Foam	19.3
Fabric	6.4
Packaging - cardboard	1.0
Packaging - plastic	1.4

Carbon Footprint (%)

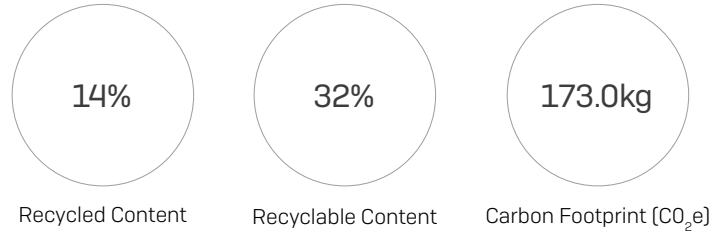
Embodied carbon	% of total footprint
A1: Raw Material Production	69
A2: Upstream transportation	10
A3: Manufacturing impacts	21



BD-62

Total Product weight: 80.2kg

Based on model code BD-62 upholstered in a 100% recycled polyester fabric (please note that fabric choice can affect the overall carbon footprint value)

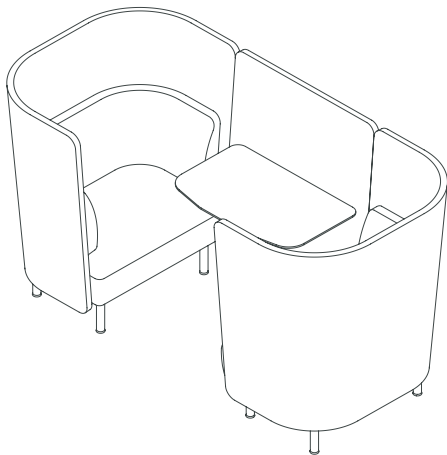


Materials Weight (%)

Material	% of total weight
Steel	14.1
Wood	55.9
Plastic	4.7
Foam	18.2
Fabric	5.2
Packaging - cardboard	0.8
Packaging - plastic	1.1

Carbon Footprint (%)

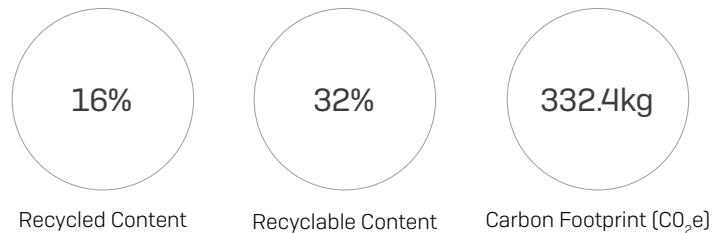
Embodied carbon	% of total footprint
A1: Raw Material Production	68
A2: Upstream transportation	10
A3: Manufacturing impacts	22



BD-81

Total Product weight: 145.9kg

Based on model code BD-81 upholstered in a 100% recycled polyester fabric (please note that fabric choice can affect the overall carbon footprint value)

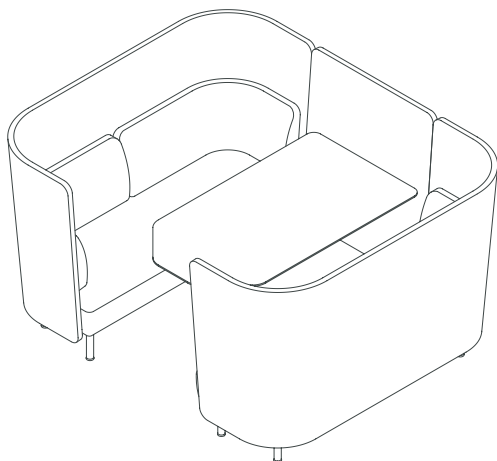


Materials Weight (%)

Material	% of total weight
Steel	18.9
Wood	60.7
Plastic	1.2
Foam	12.2
Fabric	4.3
Packaging - cardboard	2.1
Packaging - plastic	0.6

Carbon Footprint (%)

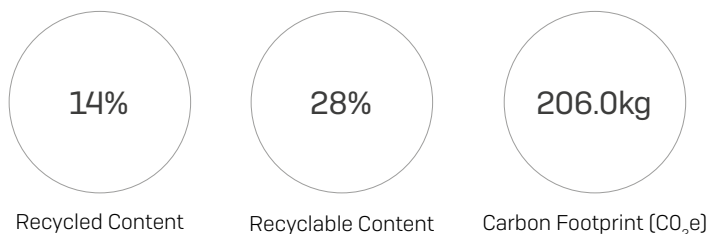
Embodied carbon	% of total footprint
A1: Raw Material Production	66
A2: Upstream transportation	12
A3: Manufacturing impacts	27



BD-83

Total Product weight: 206kg

Based on model code BD-83 upholstered in a 100% recycled polyester fabric (please note that fabric choice can affect the overall carbon footprint value)

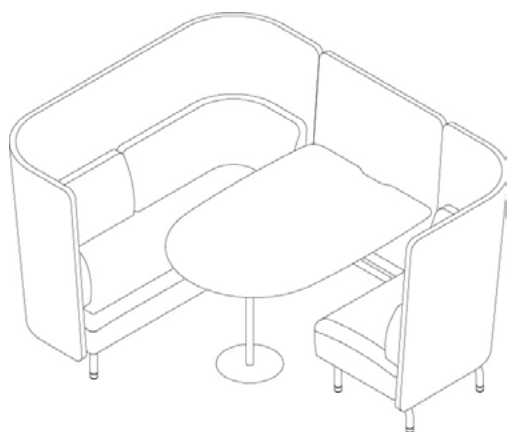


Materials Weight (%)

Material	% of total weight
Steel	15.0
Wood	57.7
Plastic	47.4
Foam	13.3
Fabric	4.5
Packaging - cardboard	1.5
Packaging - plastic	0.6

Carbon Footprint (%)

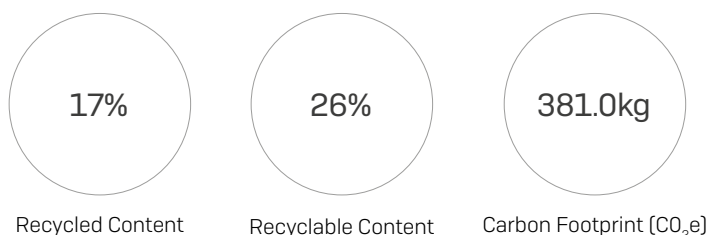
Embodied carbon	% of total footprint
A1: Raw Material Production	63
A2: Upstream transportation	12
A3: Manufacturing impacts	25



BD-84

Total Product weight: 168kg

Based on model code BD-84 upholstered in a 100% recycled polyester fabric (please note that fabric choice can affect the overall carbon footprint value)

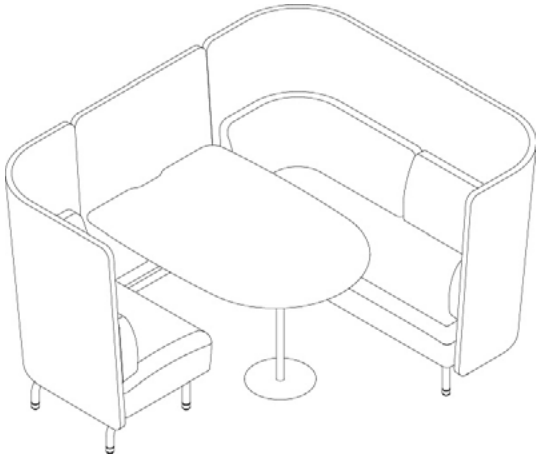


Materials Weight (%)

Material	% of total weight
Steel	20.8
Wood	57.6
Plastic	3.0
Foam	12.7
Fabric	4.2
Packaging - cardboard	1.2
Packaging - plastic	0.5

Carbon Footprint (%)

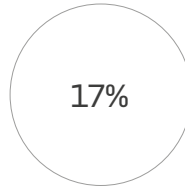
Embodied carbon	% of total footprint
A1: Raw Material Production	65
A2: Upstream transportation	8
A3: Manufacturing impacts	27



BD-85

Total Product weight: 168kg

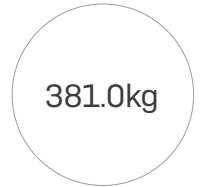
Based on model code BD-85 upholstered in a 100% recycled polyester fabric (please note that fabric choice can affect the overall carbon footprint value)



Recycled Content



Recyclable Content



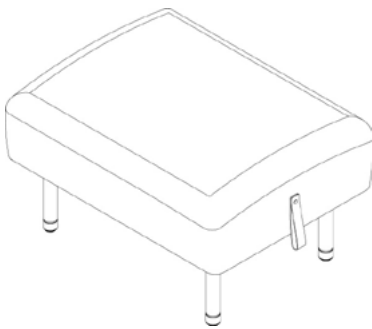
Carbon Footprint (CO₂e)

Materials Weight (%)

Material	% of total weight
Steel	20.8
Wood	57.6
Plastic	3.0
Foam	12.7
Fabric	4.2
Packaging - cardboard	1.2
Packaging - plastic	0.5

Carbon Footprint (%)

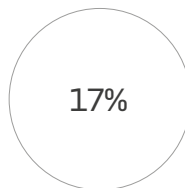
Embodied carbon	% of total footprint
A1: Raw Material Production	65
A2: Upstream transportation	8
A3: Manufacturing impacts	27



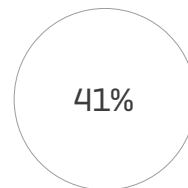
BD-86

Total Product weight: 18.5kg

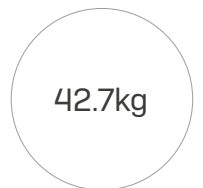
Based on model code BD-86 upholstered in a 100% recycled polyester fabric (please note that fabric choice can affect the overall carbon footprint value)



Recycled Content



Recyclable Content



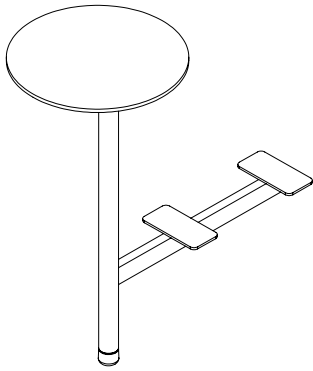
Carbon Footprint (CO₂e)

Materials Weight (%)

Material	% of total weight
Steel	18.5
Wood	54.5
Plastic	1.3
Foam	17.0
Fabric	3.7
Packaging - cardboard	3.5
Packaging - plastic	1.5

Carbon Footprint (%)

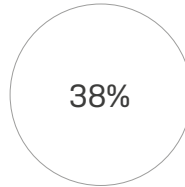
Embodied carbon	% of total footprint
A1: Raw Material Production	63
A2: Upstream transportation	10
A3: Manufacturing impacts	27



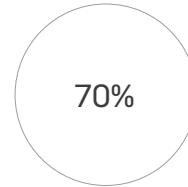
BD-91SR

Total Product weight: 5.8kg

Based on model code BD-91SR upholstered in a 100% recycled polyester fabric (please note that fabric choice can affect the overall carbon footprint value)



Recycled Content



Recyclable Content



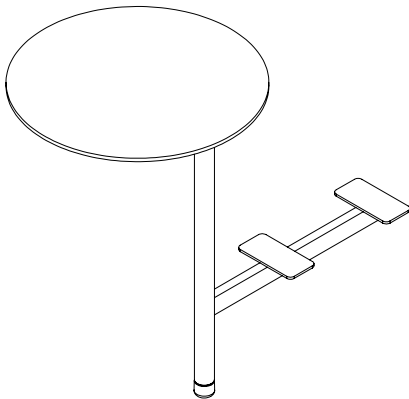
Carbon Footprint (CO₂e)

Materials Weight (%)

Material	% of total weight
Steel	67.6
Wood	28.2
Plastic	2.7
Foam	0.0
Fabric	0.0
Packaging - cardboard	0.0
Packaging - plastic	1.5

Carbon Footprint (%)

Embodied carbon	% of total footprint
A1: Raw Material Production	66
A2: Upstream transportation	2
A3: Manufacturing impacts	31



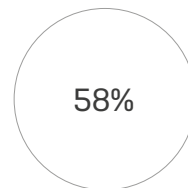
BD-91LR

Total Product weight: 7kg

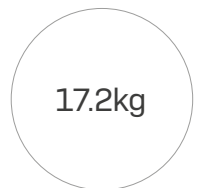
Based on model code BD-91LR upholstered in a 100% recycled polyester fabric (please note that fabric choice can affect the overall carbon footprint value)



Recycled Content



Recyclable Content



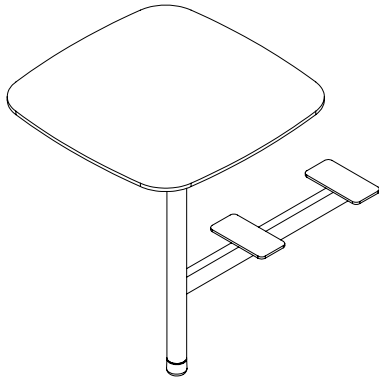
Carbon Footprint (CO₂e)

Materials Weight (%)

Material	% of total weight
Steel	56.2
Wood	39.4
Plastic	3.1
Foam	0.0
Fabric	0.0
Packaging - cardboard	0.0
Packaging - plastic	1.3

Carbon Footprint (%)

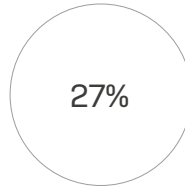
Embodied carbon	% of total footprint
A1: Raw Material Production	66
A2: Upstream transportation	3
A3: Manufacturing impacts	32



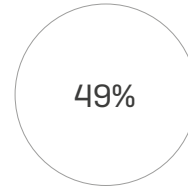
BD-91SQ

Total Product weight: 8.2kg

Based on model code BD-91SQ upholstered in a 100% recycled polyester fabric (please note that fabric choice can affect the overall carbon footprint value)



Recycled Content



Recyclable Content



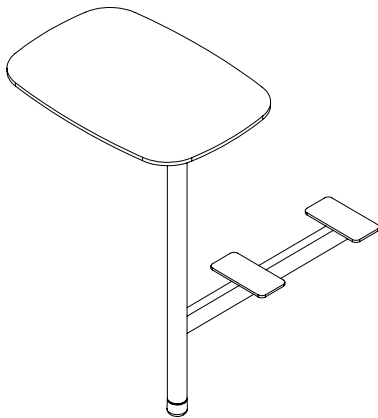
Carbon Footprint (CO₂e)

Materials Weight (%)

Material	% of total weight
Steel	47.5
Wood	48.0
Plastic	3.4
Foam	0.0
Fabric	0.0
Packaging - cardboard	0.0
Packaging - plastic	1.1

Carbon Footprint (%)

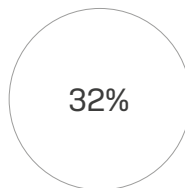
Embodied carbon	% of total footprint
A1: Raw Material Production	65
A2: Upstream transportation	3
A3: Manufacturing impacts	32



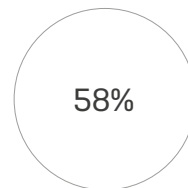
BD-91RE

Total Product weight: 7kg

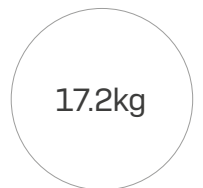
Based on model code BD-91RE upholstered in a 100% recycled polyester fabric (please note that fabric choice can affect the overall carbon footprint value)



Recycled Content



Recyclable Content



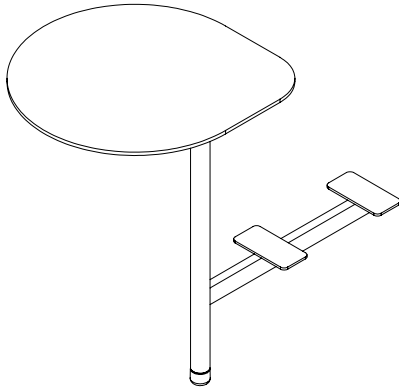
Carbon Footprint (CO₂e)

Materials Weight (%)

Material	% of total weight
Steel	56.2
Wood	39.4
Plastic	3.1
Foam	0.0
Fabric	0.0
Packaging - cardboard	0.0
Packaging - plastic	1.3

Carbon Footprint (%)

Embodied carbon	% of total footprint
A1: Raw Material Production	66
A2: Upstream transportation	3
A3: Manufacturing impacts	32



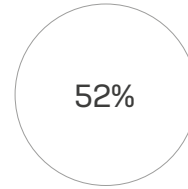
BD-91TDL

Total Product weight: 7.8kg

Based on model code BD-91TDL upholstered in a 100% recycled polyester fabric (please note that fabric choice can affect the overall carbon footprint value)



Recycled Content



Recyclable Content



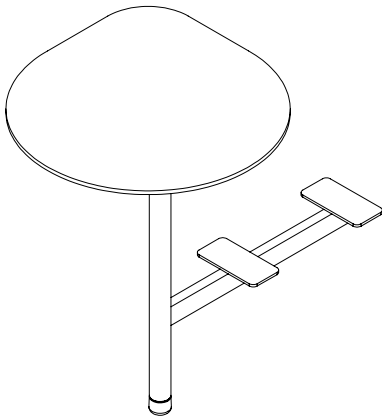
Carbon Footprint (CO₂e)

Materials Weight (%)

Material	% of total weight
Steel	50.4
Wood	45.4
Plastic	3.0
Foam	0.0
Fabric	0.0
Packaging - cardboard	0.0
Packaging - plastic	1.2

Carbon Footprint (%)

Embodied carbon	% of total footprint
A1: Raw Material Production	65
A2: Upstream transportation	3
A3: Manufacturing impacts	32



BD-91TDR

Total Product weight: 7.8kg

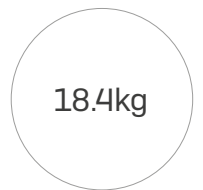
Based on model code BD-91TDR upholstered in a 100% recycled polyester fabric (please note that fabric choice can affect the overall carbon footprint value)



Recycled Content



Recyclable Content



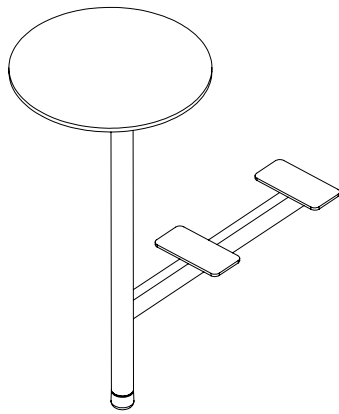
Carbon Footprint (CO₂e)

Materials Weight (%)

Material	% of total weight
Steel	50.4
Wood	45.4
Plastic	3.0
Foam	0.0
Fabric	0.0
Packaging - cardboard	0.0
Packaging - plastic	1.2

Carbon Footprint (%)

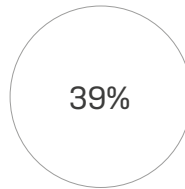
Embodied carbon	% of total footprint
A1: Raw Material Production	65
A2: Upstream transportation	3
A3: Manufacturing impacts	32



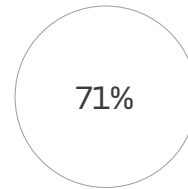
BD-92SR

Total Product weight: 6kg

Based on model code BD-92SR upholstered in a 100% recycled polyester fabric (please note that fabric choice can affect the overall carbon footprint value)



Recycled Content



Recyclable Content



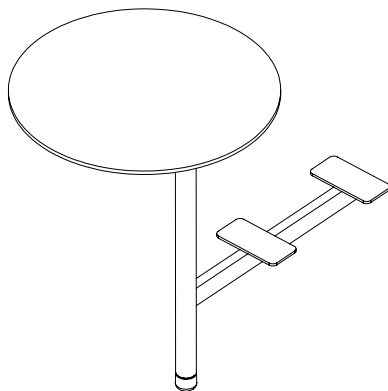
Carbon Footprint (CO₂e)

Materials Weight (%)

Material	% of total weight
Steel	68.7
Wood	27.2
Plastic	2.6
Foam	0.0
Fabric	0.0
Packaging - cardboard	0.0
Packaging - plastic	1.5

Carbon Footprint (%)

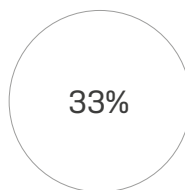
Embodied carbon	% of total footprint
A1: Raw Material Production	66
A2: Upstream transportation	3
A3: Manufacturing impacts	31



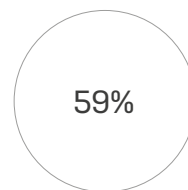
BD-92LR

Total Product weight: 7.2kg

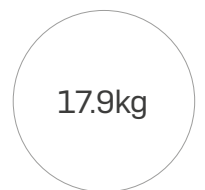
Based on model code BD-92LR upholstered in a 100% recycled polyester fabric (please note that fabric choice can affect the overall carbon footprint value)



Recycled Content



Recyclable Content



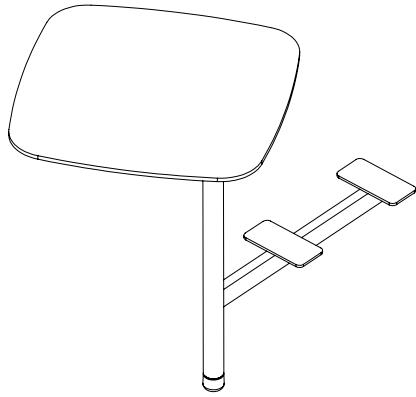
Carbon Footprint (CO₂e)

Materials Weight (%)

Material	% of total weight
Steel	57.4
Wood	38.3
Plastic	3.0
Foam	0.0
Fabric	0.0
Packaging - cardboard	0.0
Packaging - plastic	1.3

Carbon Footprint (%)

Embodied carbon	% of total footprint
A1: Raw Material Production	66
A2: Upstream transportation	3
A3: Manufacturing impacts	31



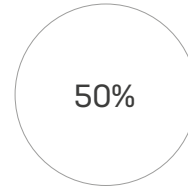
BD-92SQ

Total Product weight: 8.4kg

Based on model code BD-92SQ upholstered in a 100% recycled polyester fabric (please note that fabric choice can affect the overall carbon footprint value)



Recycled Content



Recyclable Content



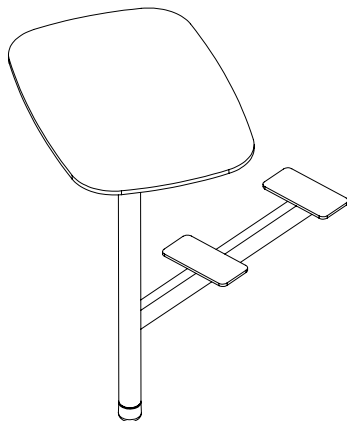
Carbon Footprint (CO₂e)

Materials Weight (%)

Material	% of total weight
Steel	48.8
Wood	46.9
Plastic	3.3
Foam	0.0
Fabric	0.0
Packaging - cardboard	0.0
Packaging - plastic	1.0

Carbon Footprint (%)

Embodied carbon	% of total footprint
A1: Raw Material Production	65
A2: Upstream transportation	3
A3: Manufacturing impacts	32



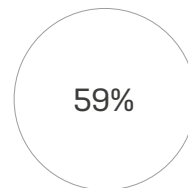
BD-92RE

Total Product weight: 7.2kg

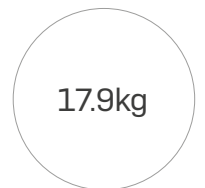
Based on model code BD-92RE upholstered in a 100% recycled polyester fabric (please note that fabric choice can affect the overall carbon footprint value)



Recycled Content



Recyclable Content



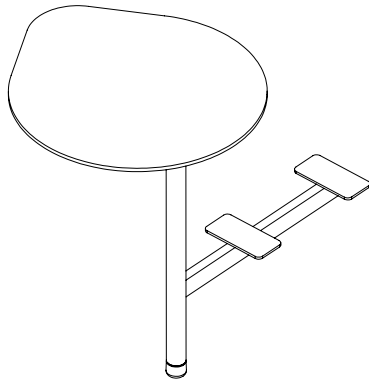
Carbon Footprint (CO₂e)

Materials Weight (%)

Material	% of total weight
Steel	57.4
Wood	38.0
Plastic	3.3
Foam	0.0
Fabric	0.0
Packaging - cardboard	0.0
Packaging - plastic	1.3

Carbon Footprint (%)

Embodied carbon	% of total footprint
A1: Raw Material Production	66
A2: Upstream transportation	2
A3: Manufacturing impacts	32



BD-92TDL

Total Product weight: 8kg

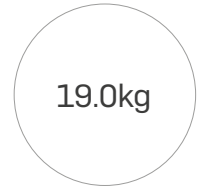
Based on model code BD-92TDL upholstered in a 100% recycled polyester fabric (please note that fabric choice can affect the overall carbon footprint value)



Recycled Content



Recyclable Content



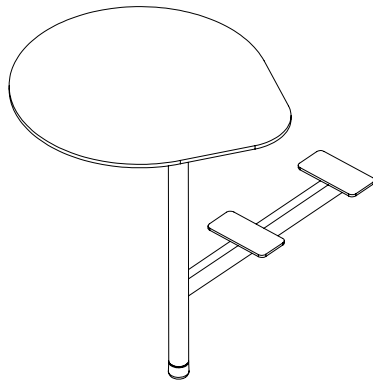
Carbon Footprint (CO₂e)

Materials Weight (%)

Material	% of total weight
Steel	51.6
Wood	44.2
Plastic	3.0
Foam	0.0
Fabric	0.0
Packaging - cardboard	0.0
Packaging - plastic	1.2

Carbon Footprint (%)

Embodied carbon	% of total footprint
A1: Raw Material Production	65
A2: Upstream transportation	3
A3: Manufacturing impacts	32



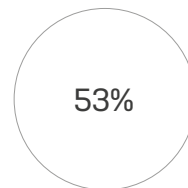
BD-92TDR

Total Product weight: 8kg

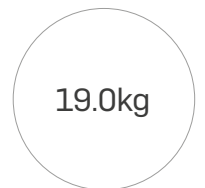
Based on model code BD-92TDR upholstered in a 100% recycled polyester fabric (please note that fabric choice can affect the overall carbon footprint value)



Recycled Content



Recyclable Content



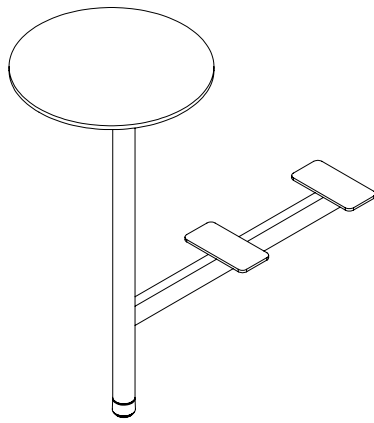
Carbon Footprint (CO₂e)

Materials Weight (%)

Material	% of total weight
Steel	51.6
Wood	44.2
Plastic	3.0
Foam	0.0
Fabric	0.0
Packaging - cardboard	0.0
Packaging - plastic	1.2

Carbon Footprint (%)

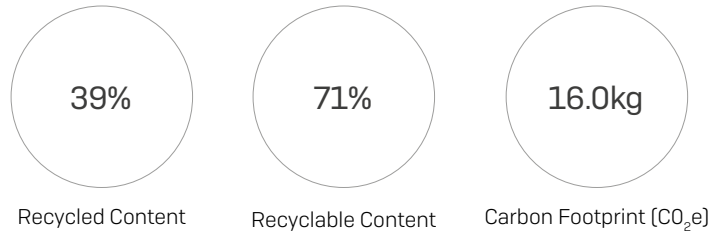
Embodied carbon	% of total footprint
A1: Raw Material Production	65
A2: Upstream transportation	3
A3: Manufacturing impacts	32



BD-93SR

Total Product weight: 6kg

Based on model code BD-93SR upholstered in a 100% recycled polyester fabric (please note that fabric choice can affect the overall carbon footprint value)

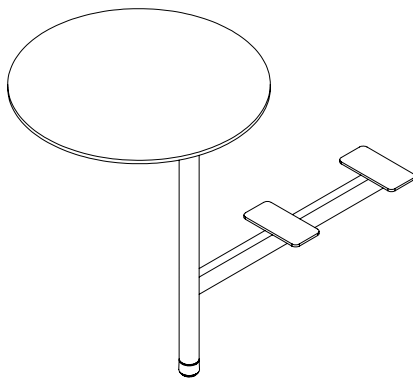


Materials Weight (%)

Material	% of total weight
Steel	68.7
Wood	27.2
Plastic	2.6
Foam	0.0
Fabric	0.0
Packaging - cardboard	0.0
Packaging - plastic	1.5

Carbon Footprint (%)

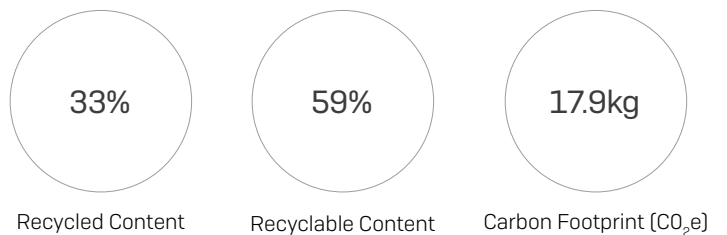
Embodied carbon	% of total footprint
A1: Raw Material Production	66
A2: Upstream transportation	3
A3: Manufacturing impacts	31



BD-93LR

Total Product weight: 7.2kg

Based on model code BD-93LR upholstered in a 100% recycled polyester fabric (please note that fabric choice can affect the overall carbon footprint value)

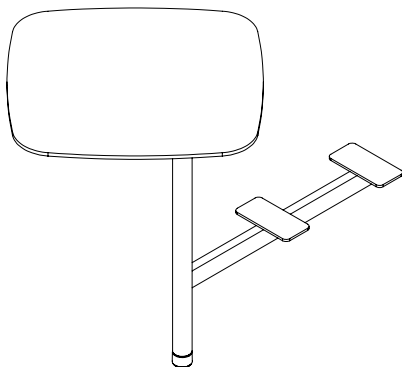


Materials Weight (%)

Material	% of total weight
Steel	57.4
Wood	38.3
Plastic	3.0
Foam	0.0
Fabric	0.0
Packaging - cardboard	0.0
Packaging - plastic	1.3

Carbon Footprint (%)

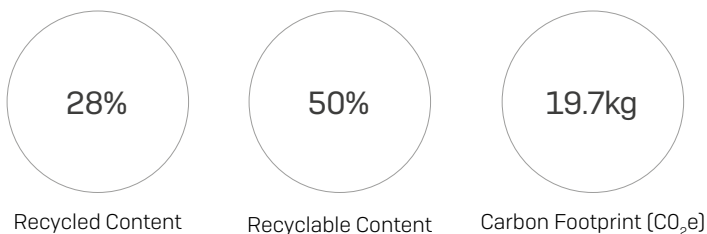
Embodied carbon	% of total footprint
A1: Raw Material Production	66
A2: Upstream transportation	3
A3: Manufacturing impacts	31



BD-93SQ

Total Product weight: 8.4kg

Based on model code BD-93SQ upholstered in a 100% recycled polyester fabric (please note that fabric choice can affect the overall carbon footprint value)

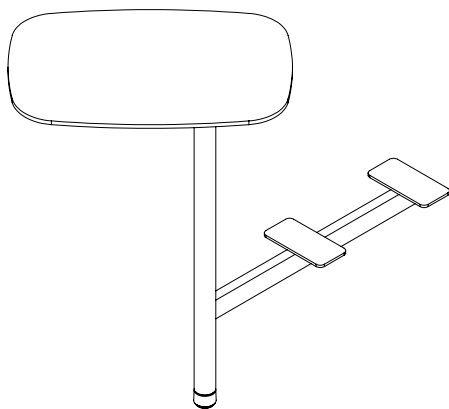


Materials Weight (%)

Material	% of total weight
Steel	48.8
Wood	46.9
Plastic	3.2
Foam	0.0
Fabric	0.0
Packaging - cardboard	0.0
Packaging - plastic	1.1

Carbon Footprint (%)

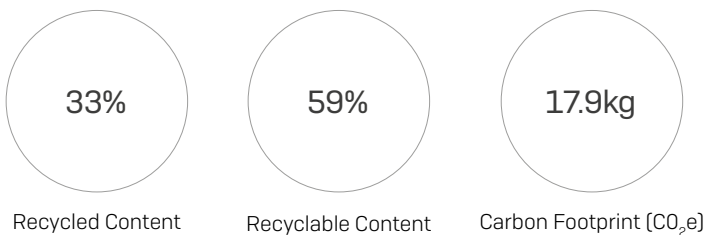
Embodied carbon	% of total footprint
A1: Raw Material Production	65
A2: Upstream transportation	3
A3: Manufacturing impacts	32



BD-93RE

Total Product weight: 7.2kg

Based on model code BD-93RE upholstered in a 100% recycled polyester fabric (please note that fabric choice can affect the overall carbon footprint value)

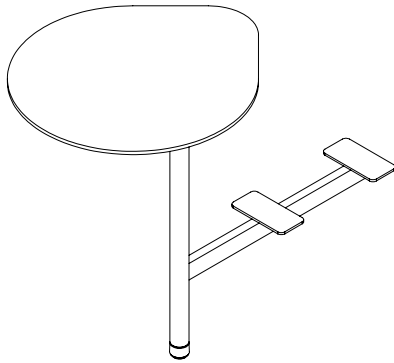


Materials Weight (%)

Material	% of total weight
Steel	57.4
Wood	38.0
Plastic	3.3
Foam	0.0
Fabric	0.0
Packaging - cardboard	0.0
Packaging - plastic	1.3

Carbon Footprint (%)

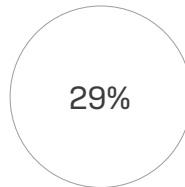
Embodied carbon	% of total footprint
A1: Raw Material Production	65
A2: Upstream transportation	3
A3: Manufacturing impacts	32



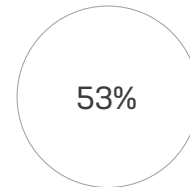
BD-93TDL

Total Product weight: 8kg

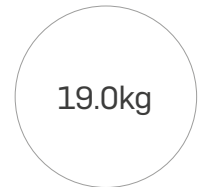
Based on model code BD-93TDL upholstered in a 100% recycled polyester fabric (please note that fabric choice can affect the overall carbon footprint value)



Recycled Content



Recyclable Content



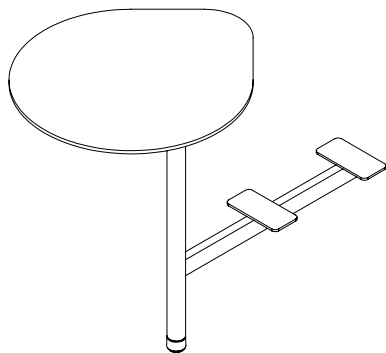
Carbon Footprint (CO₂e)

Materials Weight (%)

Material	% of total weight
Steel	51.6
Wood	44.2
Plastic	3.0
Foam	0.0
Fabric	0.0
Packaging - cardboard	0.0
Packaging - plastic	1.2

Carbon Footprint (%)

Embodied carbon	% of total footprint
A1: Raw Material Production	65
A2: Upstream transportation	3
A3: Manufacturing impacts	32



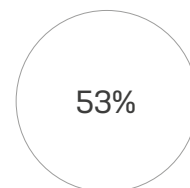
BD-93TDR

Total Product weight: 8kg

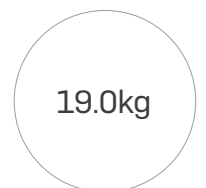
Based on model code BD-93TDR upholstered in a 100% recycled polyester fabric (please note that fabric choice can affect the overall carbon footprint value)



Recycled Content



Recyclable Content



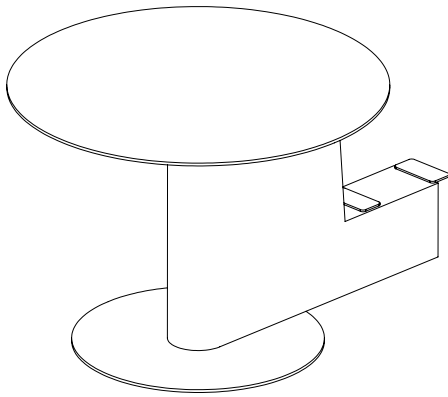
Carbon Footprint (CO₂e)

Materials Weight (%)

Material	% of total weight
Steel	51.6
Wood	44.2
Plastic	3.0
Foam	0.0
Fabric	0.0
Packaging - cardboard	0.0
Packaging - plastic	1.2

Carbon Footprint (%)

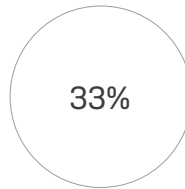
Embodied carbon	% of total footprint
A1: Raw Material Production	65
A2: Upstream transportation	3
A3: Manufacturing impacts	32



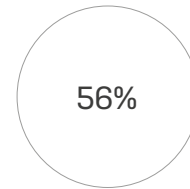
BD-94RO

Total Product weight: 53kg

Based on model code BD-94RO upholstered in a 100% recycled polyester fabric (please note that fabric choice can affect the overall carbon footprint value)



Recycled Content



Recyclable Content



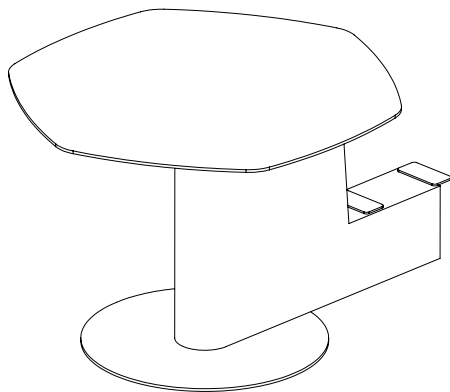
Carbon Footprint (CO₂e)

Materials Weight (%)

Material	% of total weight
Steel	55.1
Wood	39.5
Plastic	0.8
Foam	2.2
Fabric	1.5
Packaging - cardboard	0.0
Packaging - plastic	0.9

Carbon Footprint (%)

Embodied carbon	% of total footprint
A1: Raw Material Production	66
A2: Upstream transportation	2
A3: Manufacturing impacts	32



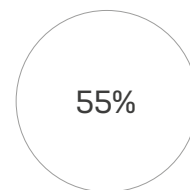
BD-94HE

Total Product weight: 54kg

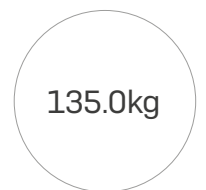
Based on model code BD-94HE upholstered in a 100% recycled polyester fabric (please note that fabric choice can affect the overall carbon footprint value)



Recycled Content



Recyclable Content



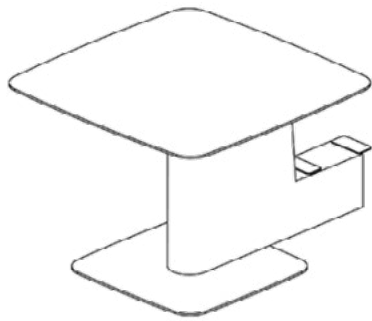
Carbon Footprint (CO₂e)

Materials Weight (%)

Material	% of total weight
Steel	54.3
Wood	40.0
Plastic	0.9
Foam	2.1
Fabric	1.4
Packaging - cardboard	0.0
Packaging - plastic	0.9

Carbon Footprint (%)

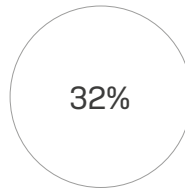
Embodied carbon	% of total footprint
A1: Raw Material Production	66
A2: Upstream transportation	3
A3: Manufacturing impacts	31



BD-94SQ

Total Product weight: 60.4kg

Based on model code BD-94SQ upholstered in a 100% recycled polyester fabric (please note that fabric choice can affect the overall carbon footprint value)



Recycled Content



Recyclable Content



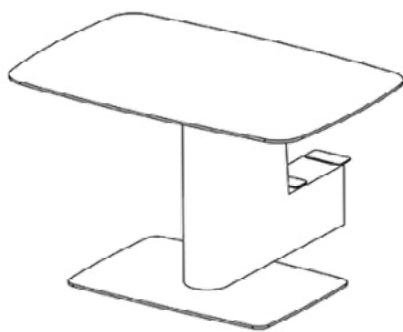
Carbon Footprint (CO₂e)

Materials Weight (%)

Material	% of total weight
Steel	55.0
Wood	40.1
Plastic	0.9
Foam	1.9
Fabric	1.3
Packaging - cardboard	0.0
Packaging - plastic	0.8

Carbon Footprint (%)

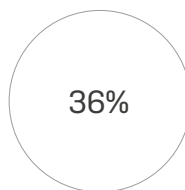
Embodied carbon	% of total footprint
A1: Raw Material Production	66
A2: Upstream transportation	2
A3: Manufacturing impacts	32



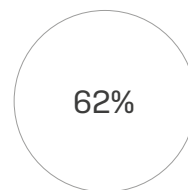
BD-94SR

Total Product weight: 59.7kg

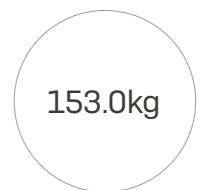
Based on model code BD-94SR upholstered in a 100% recycled polyester fabric (please note that fabric choice can affect the overall carbon footprint value)



Recycled Content



Recyclable Content



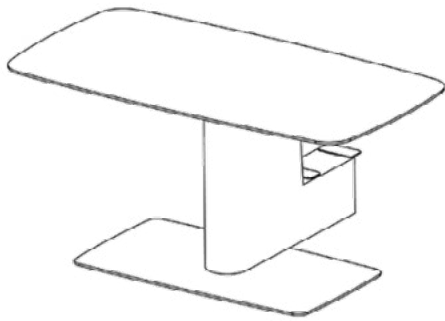
Carbon Footprint (CO₂e)

Materials Weight (%)

Material	% of total weight
Steel	60.9
Wood	34.3
Plastic	0.9
Foam	1.8
Fabric	1.3
Packaging - cardboard	0.0
Packaging - plastic	0.8

Carbon Footprint (%)

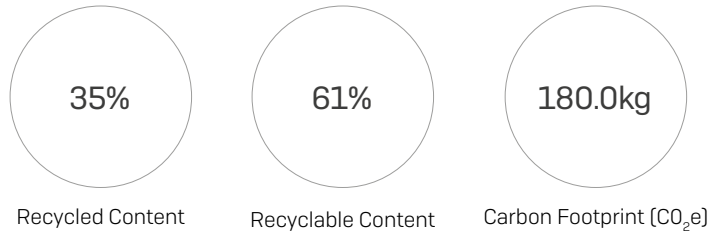
Embodied carbon	% of total footprint
A1: Raw Material Production	67
A2: Upstream transportation	3
A3: Manufacturing impacts	30



BD-94LR

Total Product weight: 69kg

Based on model code BD-94LR upholstered in a 100% recycled polyester fabric (please note that fabric choice can affect the overall carbon footprint value)

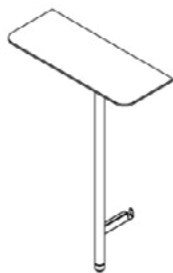


Materials Weight (%)

Material	% of total weight
Steel	60.3
Wood	35.4
Plastic	0.9
Foam	1.5
Fabric	1.1
Packaging - cardboard	0.0
Packaging - plastic	0.8

Carbon Footprint (%)

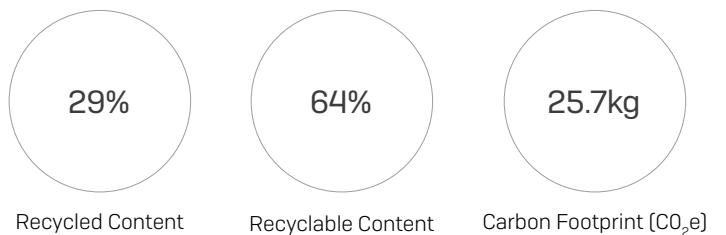
Embodied carbon	% of total footprint
A1: Raw Material Production	67
A2: Upstream transportation	3
A3: Manufacturing impacts	30



BDS-02

Total Product weight: 10kg

Based on model code BDS-02 upholstered in a 100% recycled polyester fabric (please note that fabric choice can affect the overall carbon footprint value)



Materials Weight (%)

Material	% of total weight
Steel	47.0
Wood	2.8
Plastic	0.0
Foam	0.0
Fabric	34.1
Packaging - cardboard	8.7
Packaging - plastic	7.4

Carbon Footprint (%)

Embodied carbon	% of total footprint
A1: Raw Material Production	73
A2: Upstream transportation	4
A3: Manufacturing impacts	23



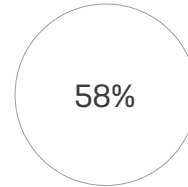
BDS-04

Total Product weight: 19kg

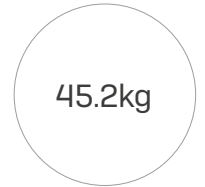
Based on model code BDS-04 upholstered in a 100% recycled polyester fabric (please note that fabric choice can affect the overall carbon footprint value)



Recycled Content



Recyclable Content



Carbon Footprint (CO₂e)

Materials Weight (%)

Material	% of total weight
Steel	47.8
Wood	2.6
Plastic	0.0
Foam	0.0
Fabric	39.3
Packaging - cardboard	5.6
Packaging - plastic	4.8

Carbon Footprint (%)

Embodied carbon	% of total footprint
A1: Raw Material Production	72
A2: Upstream transportation	4
A3: Manufacturing impacts	24



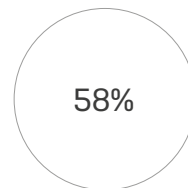
BDS-06

Total Product weight: 19kg

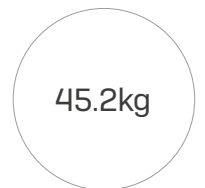
Based on model code BDS-06 upholstered in a 100% recycled polyester fabric (please note that fabric choice can affect the overall carbon footprint value)



Recycled Content



Recyclable Content



Carbon Footprint (CO₂e)

Materials Weight (%)

Material	% of total weight
Steel	47.8
Wood	2.6
Plastic	0.0
Foam	0.0
Fabric	39.3
Packaging - cardboard	5.6
Packaging - plastic	4.8

Carbon Footprint (%)

Embodied carbon	% of total footprint
A1: Raw Material Production	72
A2: Upstream transportation	4
A3: Manufacturing impacts	24



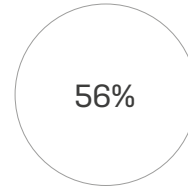
BDS-12

Total Product weight: 18kg

Based on model code BDS-12 upholstered in a 100% recycled polyester fabric (please note that fabric choice can affect the overall carbon footprint value)



Recycled Content



Recyclable Content



Carbon Footprint (CO₂e)

Materials Weight (%)

Material	% of total weight
Steel	45.3
Wood	3.0
Plastic	0.0
Foam	0.0
Fabric	41.4
Packaging - cardboard	5.9
Packaging - plastic	0.8

Carbon Footprint (%)

Embodied carbon	% of total footprint
A1: Raw Material Production	72
A2: Upstream transportation	3
A3: Manufacturing impacts	25



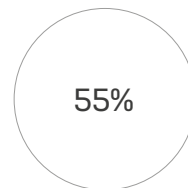
BDS-14

Total Product weight: 27kg

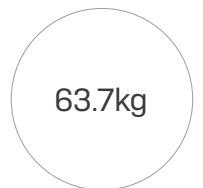
Based on model code BDS-14 upholstered in a 100% recycled polyester fabric (please note that fabric choice can affect the overall carbon footprint value)



Recycled Content



Recyclable Content



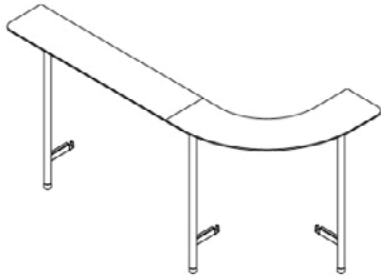
Carbon Footprint (CO₂e)

Materials Weight (%)

Material	% of total weight
Steel	45.5
Wood	3.1
Plastic	0.0
Foam	0.0
Fabric	42.1
Packaging - cardboard	4.8
Packaging - plastic	4.6

Carbon Footprint (%)

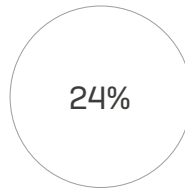
Embodied carbon	% of total footprint
A1: Raw Material Production	72
A2: Upstream transportation	4
A3: Manufacturing impacts	24



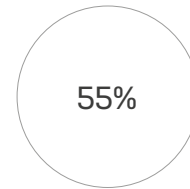
BDS-16

Total Product weight: 27kg

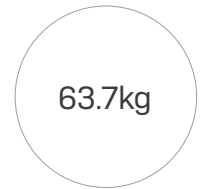
Based on model code BDS-16 upholstered in a 100% recycled polyester fabric (please note that fabric choice can affect the overall carbon footprint value)



Recycled Content



Recyclable Content



Carbon Footprint (CO₂e)

Materials Weight (%)

Material	% of total weight
Steel	45.5
Wood	3.1
Plastic	0.0
Foam	0.0
Fabric	42.1
Packaging - cardboard	4.8
Packaging - plastic	4.6

Carbon Footprint (%)

Embodied carbon	% of total footprint
A1: Raw Material Production	72
A2: Upstream transportation	4
A3: Manufacturing impacts	24



BDS-22

Total Product weight: 28kg

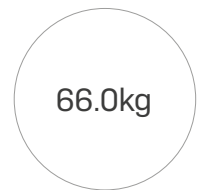
Based on model code BDS-14 upholstered in a 100% recycled polyester fabric (please note that fabric choice can affect the overall carbon footprint value)



Recycled Content



Recyclable Content



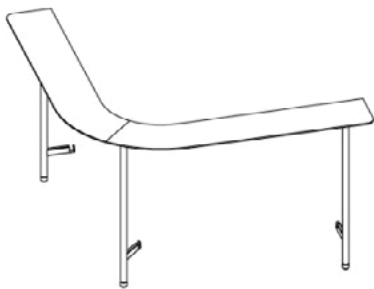
Carbon Footprint (CO₂e)

Materials Weight (%)

Material	% of total weight
Steel	43.4
Wood	3.3
Plastic	0.0
Foam	0.0
Fabric	44.7
Packaging - cardboard	4.8
Packaging - plastic	3.9

Carbon Footprint (%)

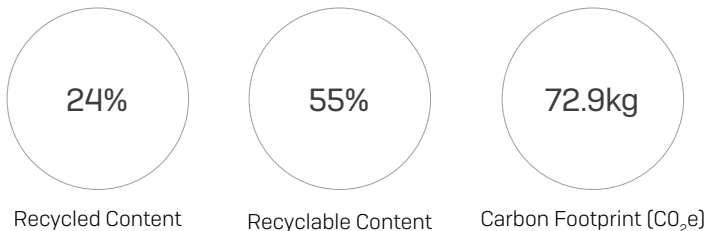
Embodied carbon	% of total footprint
A1: Raw Material Production	71
A2: Upstream transportation	4
A3: Manufacturing impacts	25



BDS-42

Total Product weight: 30kg

Based on model code BDS-42 upholstered in a 100% recycled polyester fabric (please note that fabric choice can affect the overall carbon footprint value)



Materials Weight (%)

Material	% of total weight
Steel	45.8
Wood	3.3
Plastic	0.0
Foam	0.0
Fabric	42.4
Packaging - cardboard	4.8
Packaging - plastic	3.8

Carbon Footprint (%)

Embodied carbon	% of total footprint
A1: Raw Material Production	72
A2: Upstream transportation	4
A3: Manufacturing impacts	24