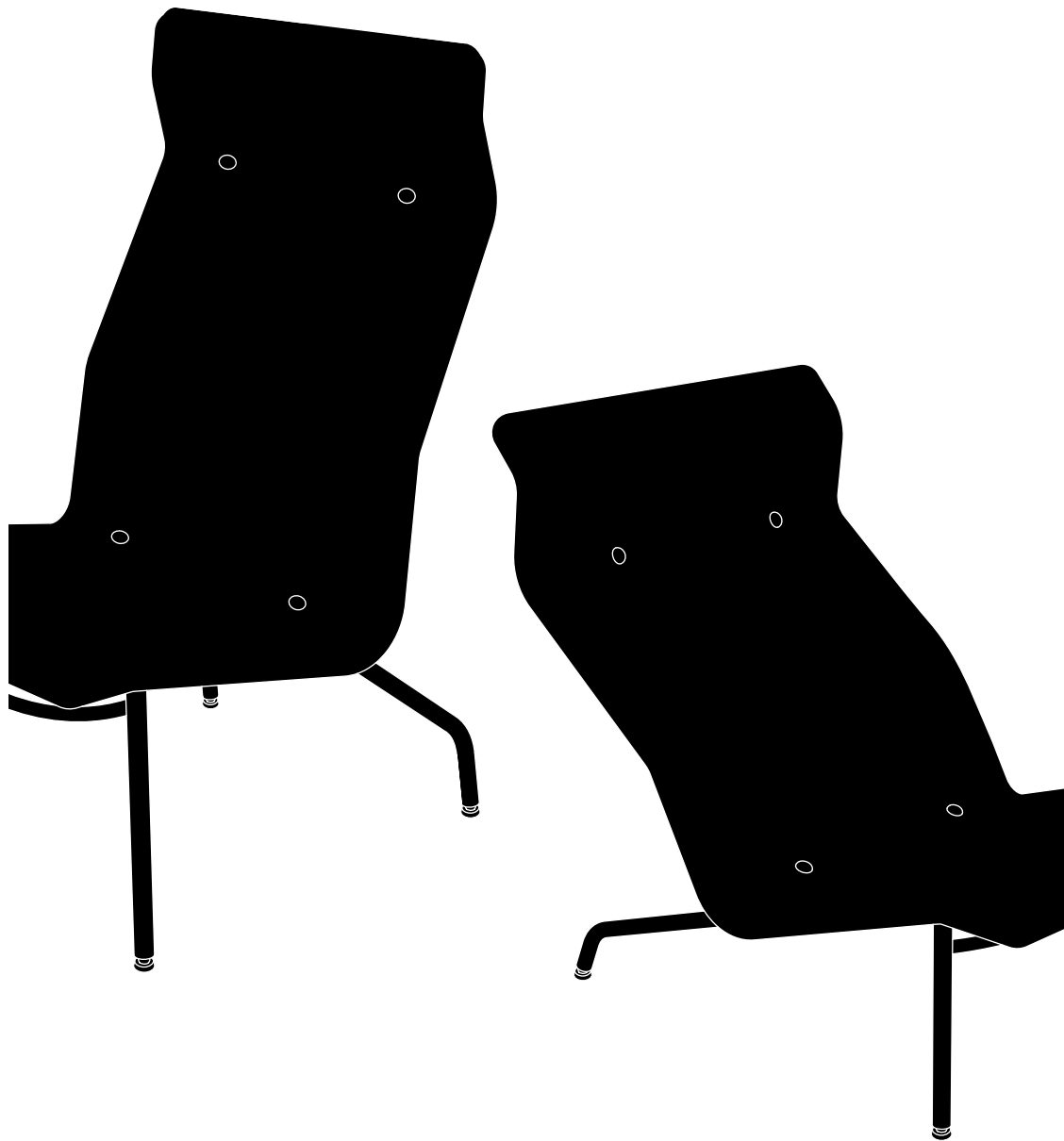


---

ESTABLISHED & SONS  
United Kingdom  
Phone +44 (0)20 7608 0990  
establishedandsons.com

ESTANDSONS LTD  
Estandsons Warehouse  
Intereuropa d.d.  
Mednarodni prehod 8,  
SI-5290 Šempeter pri Gorici,  
Slovenija

# LUCIO Sebastian Wrong



---

# LUCIO

## Sebastian Wrong

---

The Lucio combines maximum comfort with minimum weight to create a super-supportive chair that's easy to move and offers a distinctive, graphic profile.

The generously sized Lucio high-back chair and Lucio lounge chair offer reclined and relaxed seating positions, with flowing forms cleverly supported by sprung webbing that shapes to the user for extra comfort. The foam-and-fabric body of each chair is connected to its tubular steel frame with a textile cover.

Ideal for breakout spaces, the Lucio range has the option of an integrated side table that pivots for ad-hoc working.

### THE DESIGNER

Sebastian Wrong originally studied sculpture before going on to establish his own successful manufacturing company. His portfolio of work spans furniture, lighting, accessories and gallery projects. As a founding member of Established & Sons, Wrong contributed significantly to the development of the collection. He continues to exercise his abilities in the field of manufacturing at Established & Sons as well as bringing his considerable creative skills as a product designer.



---

# General Information

---

IMPORTANT, RETAIN FOR FUTURE REFERENCE: READ CAREFULLY

---

DESIGN  
2019

DESCRIPTION  
Chair

MATERIALS  
Steel, polyurethane, textile, double sided black Fenix table / solid Oak table

DIMENSIONS  
Lounge: W675mm x D1030mm x H860mm, Seat Height 350mm, Table Height 580mm  
Chair: W650mm x D790mm x H1070mm, Seat Height 420mm, Table Height 640mm

COLOURS  
RAL 9005 frame, various fabric covers, black table / solid oak

CLEANING GUIDELINES  
Upholstery cover: vacuum frequently, ideally every week, at half power. Dust can be removed by brushing with a garment brush. For stains consult professional upholstery cleaner.  
Powder-coated steel frame: the chair frame should first be dry dusted with a clean lint free cotton cloth. If wet cleaning is required then the item should be cleaned using a soft, slightly damp sponge with a mild detergent and water solution. It then must be immediately cleaned again with a soft dry cloth.

USER INSTRUCTIONS  
Do not place items that exceed 15KG on the table.

---

## REQUIRED FOR INSTALLATION

---



Table

2x M8 Socket  
Screws

1x M6  
Grub Screw

M8 Allen Key

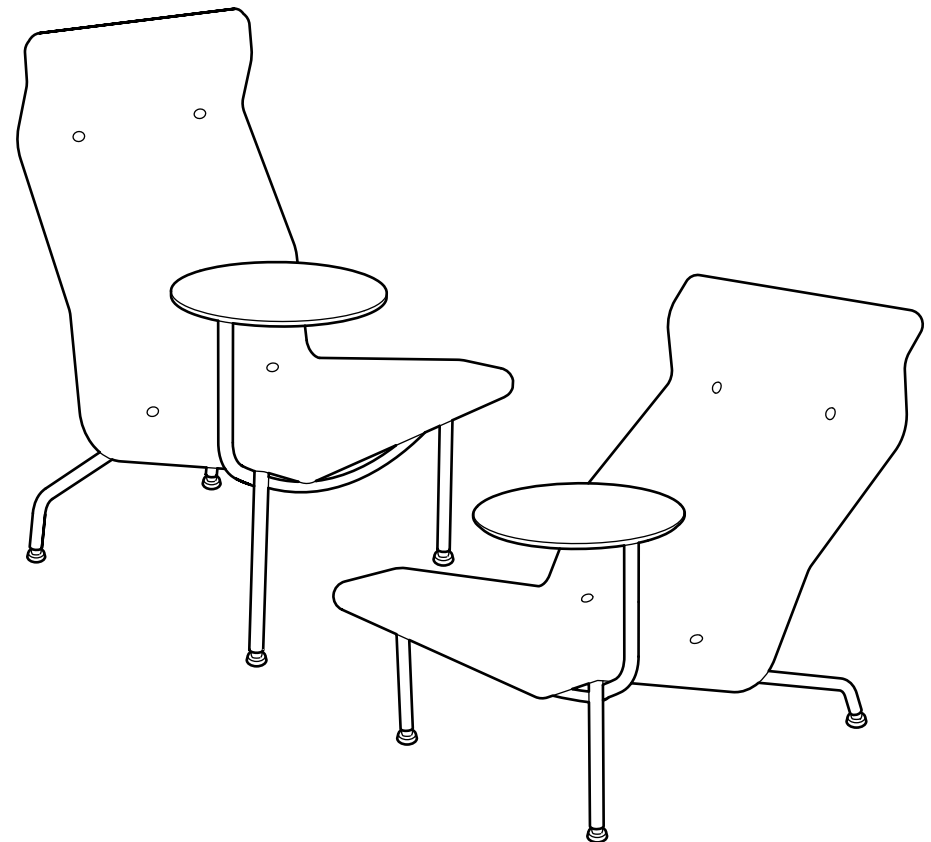
M6 Allen Key

---

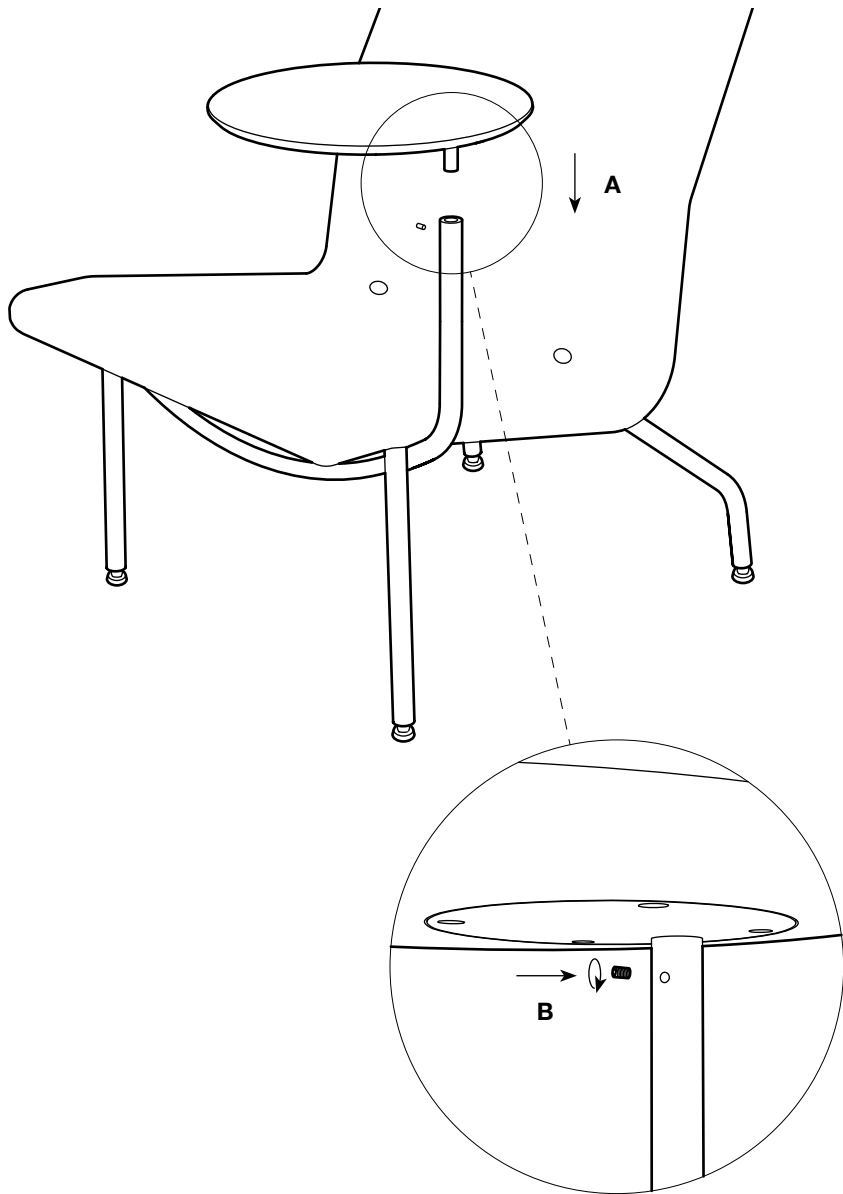
---

# Installation

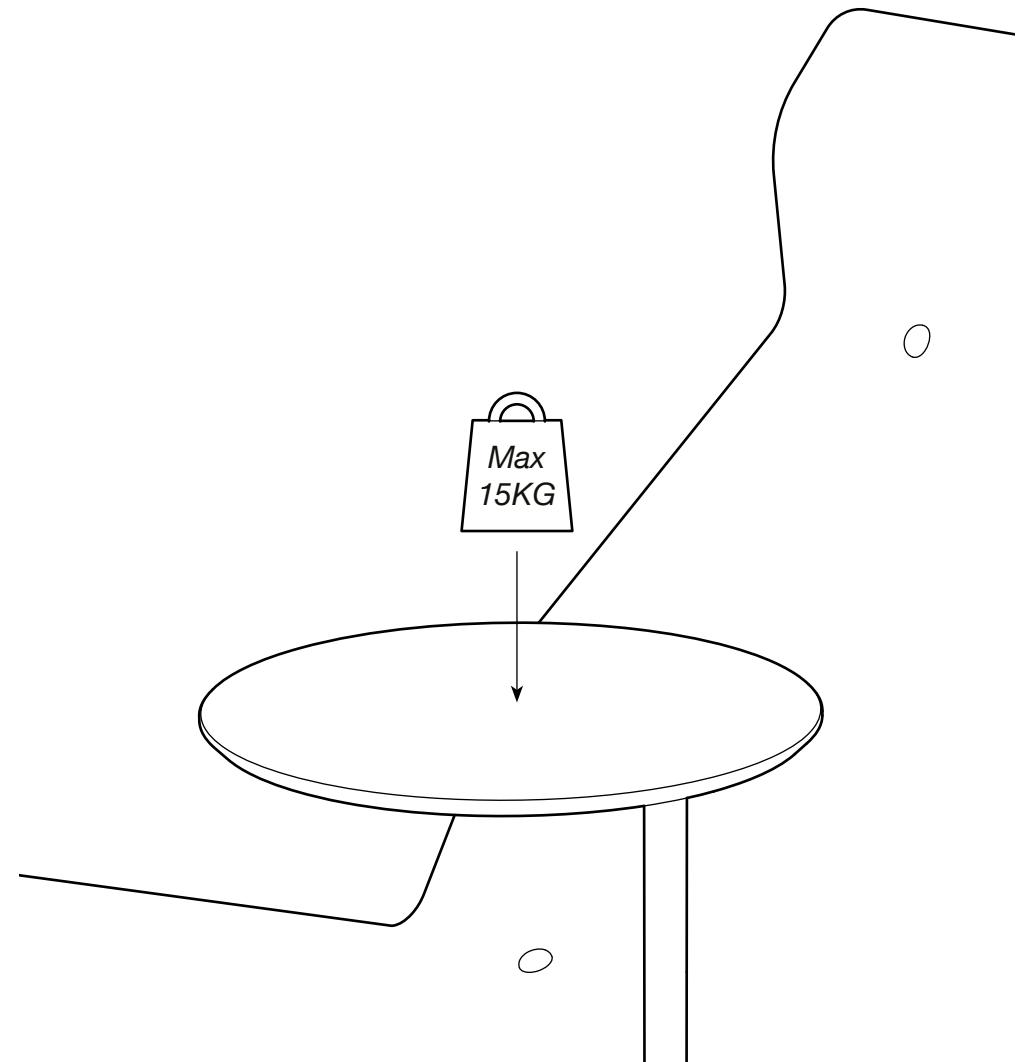
---



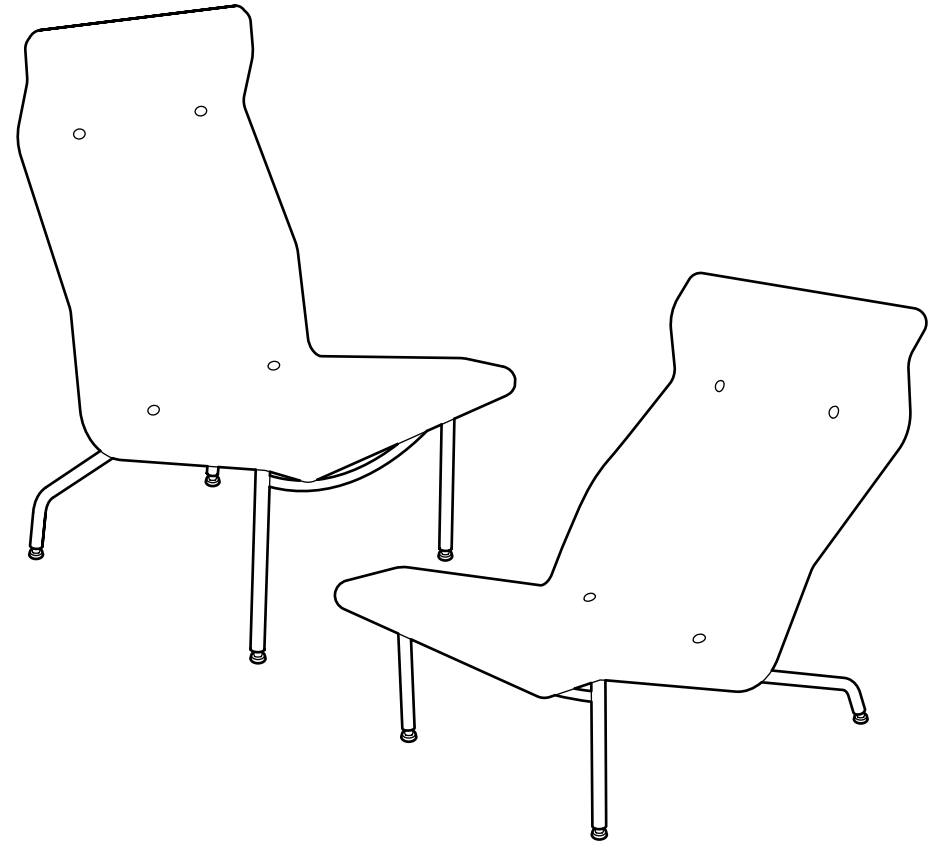
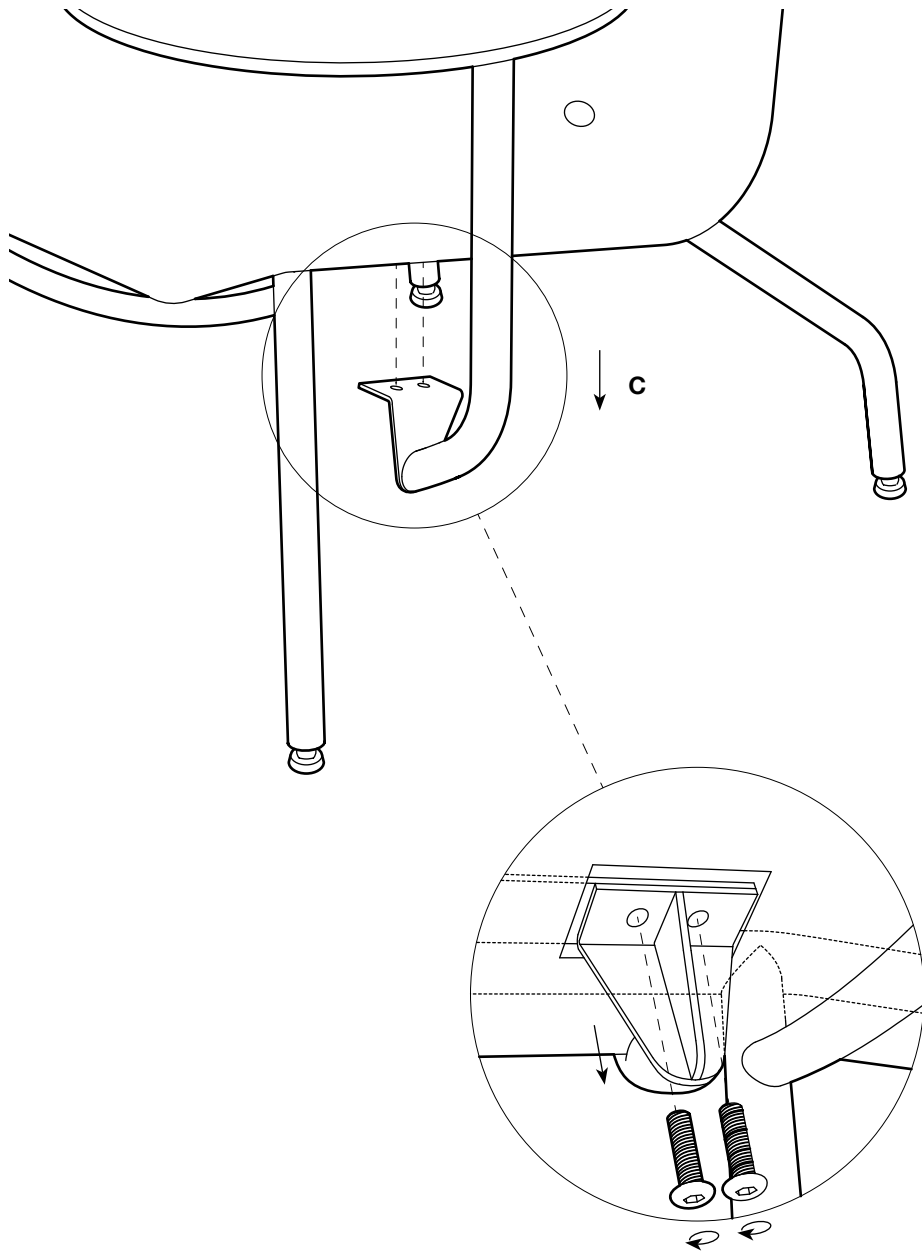
- 
1. Insert the table top spigot into the end of the table bracket (A).
  2. Secure table top to bracket using M6 Hex key and Grub Screw (B).
- 



- 
3. Do not place items that exceed 15KG on the table.
- 



- 
4. To disassemble the table and bracket from the chair, remove socket screws from underside using M8 Hex key (C).
- 



---

# About Established & Sons

---

Established & Sons is a British brand representing all that is innovative in contemporary design. By supporting the best creators of our time, it has built a collection for people who are passionate about design, presenting imaginative products with style and personality.

Designers and artists are afforded the freedom to explore their own language, advancing pioneering ideas that deliver exceptional furniture and lighting collections. Combined with Established & Sons' commitment to skilled craftsmanship and cutting-edge manufacturing techniques, this produces intelligent designs that are at the same time diverse in the extreme and united in their quest for the extraordinary.

The Established & Sons collection includes some of the most important examples of 21st-century design. Many of the pieces have been acquired by international museums, galleries, institutions and private collections.

Follow us on Instagram

