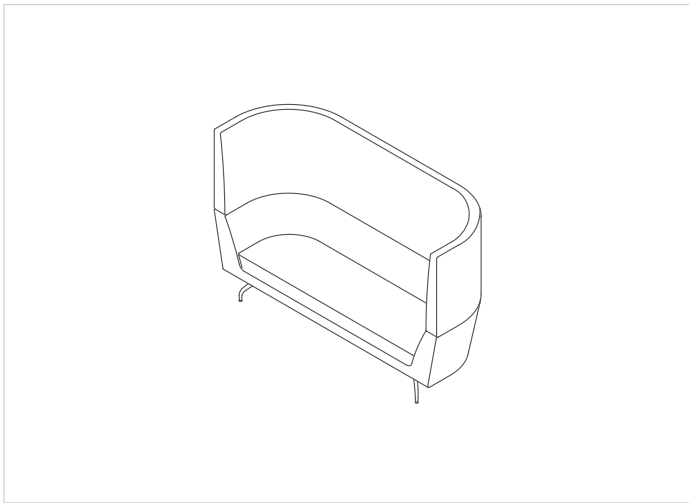
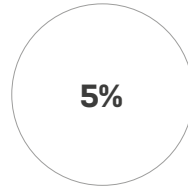


# Aspect-09 HB — Environmental Impact

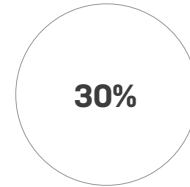


## Environmental Data

Based on Aspect-09 HB. Complies with SKA rating.



Recycled Content



Recyclable Content



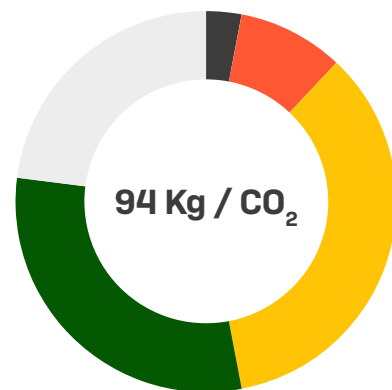
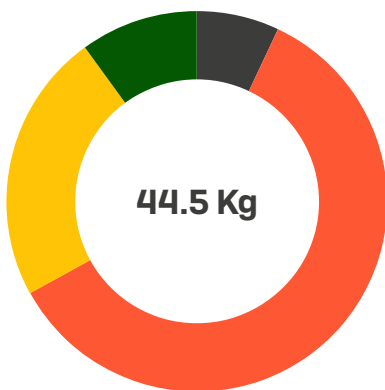
Carbon Footprint

## Materials Weight [%]

Materials		%
Metal	●	9
Wood	●	62
Foam	●	15
Fabric	●	13
<b>Total</b>		<b>44.5 Kg</b>

## Materials Footprint [%]

Materials		%
Metal	●	3
Wood	●	12
Foam	●	42
Fabric	●	23
Operational Value	●	20
<b>Total</b>		<b>94 Kg / CO<sub>2</sub></b>



## Environmental Statement

Orangebox is accredited to the environmental standard ISO 14001. 2015  
As a result every care is taken to ensure its operations and products make a positive contribution to the local and global environment.

## Intertek Sustainability Clean Air Product Certification

Clean Air certification provides proof that products have been independently tested and found to conform to VOC standards and to the ANSI/ BIFMA Furniture Emissions Standards. All Orangebox products\* have achieved Gold certification, excluding laminate products which achieve a Silver certification. \*With the exception of Fielding Tables.



Orangebox's Footprints were calculated by FIRA's Carbon Footprinter Tool. The technique of Ecological footprint analysis co-originated in the 1990's by Professor William Rees and Dr Mathis Wackernagel.

