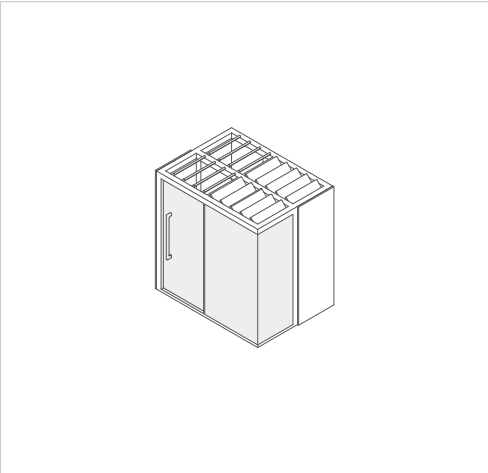
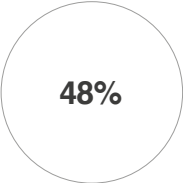


CD01ALS — Environmental Impact

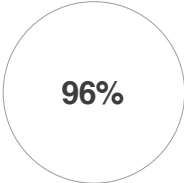


Environmental Data

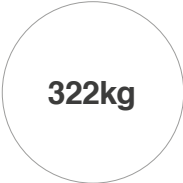
Based on CD01ALS. Complies with SKA rating.



Recycled Content



Recyclable Content



Carbon Footprint

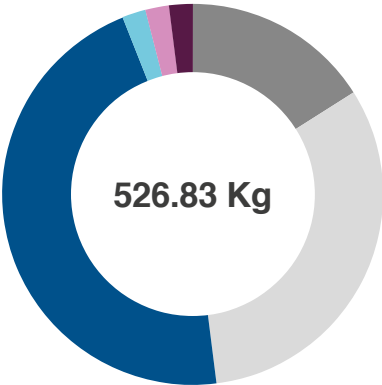
Environmental Statement

Orangebox is accredited to the environmental standard ISO 14001: 2015

As a result every care is taken to ensure its operations and products make a positive contribution to the local and global environment.

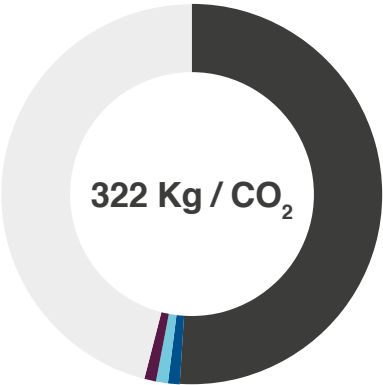
Materials Weight (%)

Materials	%
Steel	16.0
Aluminium	32.19
Glass	46.31
Glass Wool	1.44
Mineral Wool	1.90
Plastic	1.59
Fabric	0.38
Wood	0.16
Total	526.83 Kg



Materials Footprint (%)

Materials	%
Metal	51
Glass	1
Glass / Mineral Wool	1
Plastic	1
Fabric	0
Wood	0
Operational Value	46
Total	322 Kg / CO₂



Clean CO₂ is a very intuitive and visual software, which can, through the loading of activity data, calculate an impact result (kg of CO₂ equivalent, among others), as well as other tasks such as off-setting, communicating results and generating a report.