

Love how you work.®

**Steelcase**

Visit [steelcase.com](http://steelcase.com)

**Europe & Africa** Espace Européen de l'Entreprise 1 allée d'Oslo BP 40033 Schiltigheim 67012 Strasbourg Cedex France  
tel: +33 3 88 13 30 30 fax: +33 3 88 28 31 78

**North America** 901, 44th Street Grand Rapids MI 49508 USA  
tel: +1 616 247 27 10 fax: +1 616 246 40 40

**Asia Pacific & India** 4th floor, N32 Kowa Bdg 5-2-32 Minami-Azabu Minato-Ku Tokyo 106-0047 Japan  
tel: +81 3 3448 9611 fax: +81 3 3448 9617

**Latin America** 901, 44th Street Grand Rapids MI 49508 USA  
tel: +1 616 247 27 10 fax: +1 616 246 40 40

**Middle East** Design House unit A2 PO Box 502596 Dubai Media City Dubai UAE  
tel: +971 4 369 7838 fax: +971 4 369 7837

Concept & Design **Steelcase** Product design RoomWizard II, media:scape & i2i **Steelcase Design in collaboration with IDEO**.  
Microsoft® and Outlook® are registered trademarks of Microsoft Corporation.  
Domino®, Lotus®, Lotus Notes® are registered trademarks of International Business Machines Corporation. iPhone® is a registered trademark of Apple Inc.

DC157EN 05/11 © 2011 **Steelcase**® All rights reserved. All specifications subject to change without notice.  
Printed on at least 60% recycled paper. Cert no. BV-COC-858659. Printed in France by OTT Imprimeurs - Wasselonne.



**Steelcase**

## Observations & Insights

### 40% of workers waste up to 30 minutes a day searching for space to collaborate.\*

\*Steelcase Workplace Survey realised over the last 10 years.



1

**Observation:** according to a Steelcase workplace survey, 40% of workers waste up to thirty minutes a day searching for space to collaborate.\*

**Insight:** users should have a tool that allows to save time in setting up meetings.



2

**Observation:** how people go about scheduling space varies. First-come-first-serve, post-it notes and even corporate calendar systems haven't proven effectiveness.

**Insight:** people need an effective and seamless scheduling system.



3

**Observation:** meetings often take place in informal spaces, not only in rooms.

**Insight:** companies need a solution that manages open and closed collaborative spaces.

## RoomWizard II Scheduling System

**Collaborative work is more important than ever.** The world is becoming more and more global, especially in workplaces which leads to an increase of team work and of collaborative spaces.

In modern office environments people still face a lack of consistent scheduling methods to easily and quickly find available spaces to collaborate.

That's why Steelcase has introduced RoomWizard II, a solution designed specifically to organize today's workplace.

### Why RoomWizard II?

1. **Effective:** it saves time in searching for a room and avoids interruptions in meetings.
2. **Simple:** it allows users to find and reserve a room from any network PC or smartphone.
3. **Flexible:** it provides a solution that manages open and closed collaborative spaces.



C6207

11:00 AM

Supply Chain group meeting  
Matt Peterson  
11:00 am - 11:45 am

5:00 PM

Q4 Planning  
Wendy James  
5:00 pm - 6:00 pm

8 9 10 11 12 1 2 3 4 5 6

## Reserves spaces. Not just rooms.

Facilitating workers collaboration in helping them scheduling and organizing meetings while saving time is essential.

The redesigned RoomWizard II is a web-based room scheduling system that solves the dilemma of connecting workers to meeting spaces. It offers an interactive touch screen display providing real-time meeting information, right outside the room. The red and green status lights display immediately availability of the space.

**It can be used in a synchronised mode:** RoomWizard II works with a variety of calendaring systems including Microsoft® Outlook® and Lotus Notes® or other calendaring systems. So meetings can be managed seamlessly **on web, via computers or smartphones.**

Room reservations become easy.



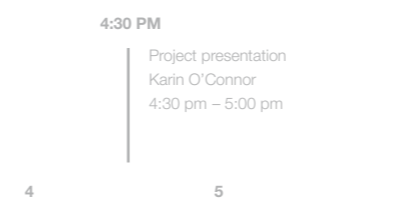
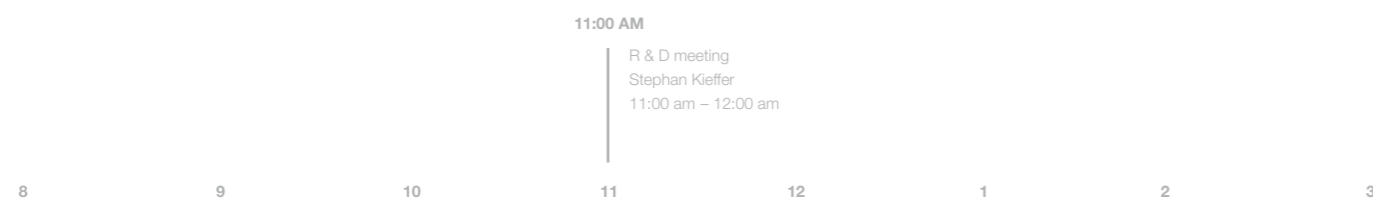
Red light status indicates immediately room unavailability to workers.



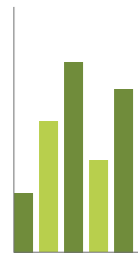
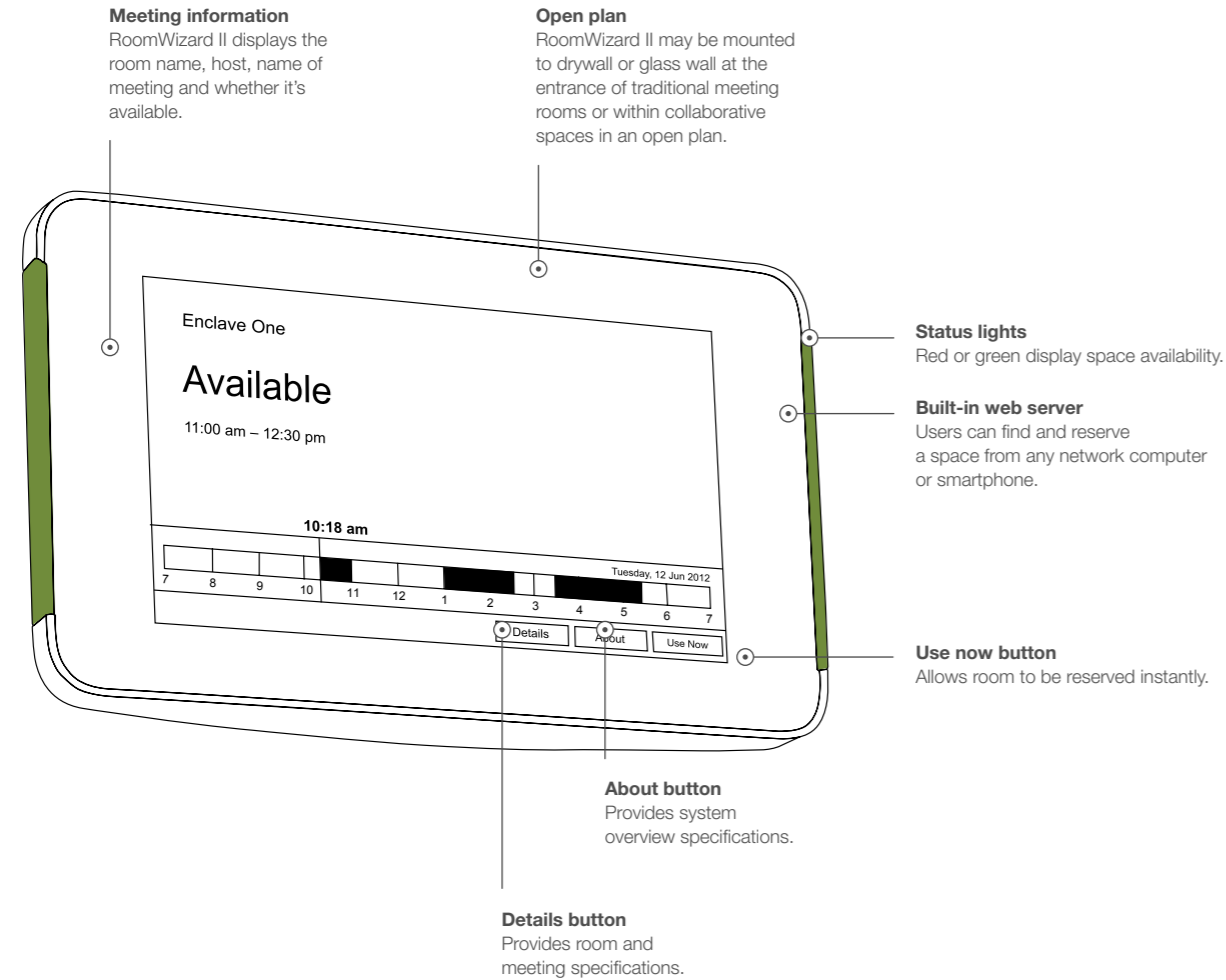
When users see a green light status, they can reserve the room instantly directly from the screen or via their network.



RoomWizard II mounted on a media:scape Totem.



## Technology



### Reporting

What percentage of time are rooms occupied?  
What is the average number of meetings per day?

RoomWizard II even keeps careful track of space utilization with a database that measures and report reservation patterns.



### Introducing SnapTag™

The SnapTag™ app from Steelcase captures whiteboard notes, connects with RoomWizard II and sends the content directly to meeting participants.

Currently for iPhone only.



**ZigBee®**

### ZigBee wireless connectivity

ZigBee is a short-range, low-power, wireless protocol that enables communication with other ZigBee enabled devices. A ZigBee enabled RoomWizard II could allow future connection with building and energy controls along with mobile devices and other future Steelcase ZigBee devices.

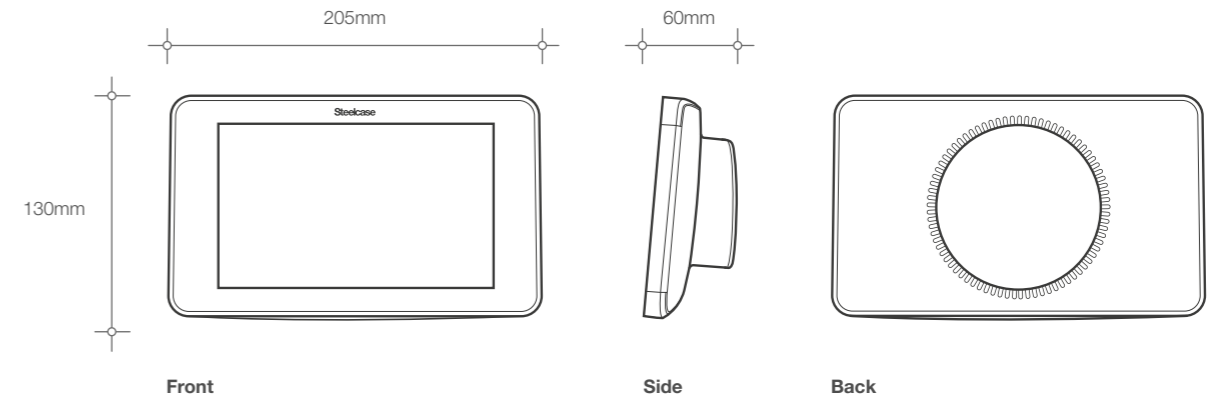
## Statement of line

Use RoomWizard II as a stand-alone system, or seamlessly book rooms with an existing reservation system such as Microsoft Outlook, Lotus Notes or other advanced scheduling systems.

RoomWizard II was designed for ease of installation with its power over Ethernet support and its flexible fixing options.

Thanks to the standard fixing bracket, RoomWizard II can be mounted to drywall applications. Glass applications are accommodated with the direct to glass mounting bracket.

The universal mounting bracket thoughtfully manages the cable by cantilevering the RoomWizard II off the door frame out in front of the glass.



### Features

Color Touchscreen	7" (16:9), Capacitive Touch, 16M Colors
Weight	600g
Memory	4 GB
Ethernet	10BaseT/100BaseTX, DHCP, IEEE 802.3U & 802.3af compliant
Power	PoE (Power over Ethernet)
Status Lights	Yes
ZigBee Wireless Connectivity	Yes
Self-contained device. No external server or software required	Yes
Synchronisation – Available Connectors	Microsoft Exchange, Lotus Domino and other advanced scheduling systems
Open Platform for additional connectivity and integration	Yes
Remote Administration	Yes
Mobile Phone Apps	SnapTag™

**You require official certifications. We can deliver them.**

Designed by Steelcase, **Room Wizard II** is manufactured in Meridian, USA, for the EMEA (Europe, Middle East and Africa) market.

Sustainability actions and results are annually communicated in the annual Steelcase Corporate Responsibility report. See on our website [www.steelcase.com](http://www.steelcase.com)