

## **NOTICE TO AUTHORIZED USERS OF AWARD #23295 - Furniture, All Types (Except Hospital Room and Patient Handling)**

This pricelist/catalog **may** contain items that are not within the Scope of the Contract Award and/or not within this Contractors approved furniture Categories. All Authorized Users are strongly encouraged to review the Scope of the Award and the Contractors Category Matrix prior to selecting items for purchase under the Contract. Per Solicitation Section 4.5 (D) - Procurement Instructions for Authorized Users: When placing orders under this Award, the Authorized User should follow and be familiar with the terms and conditions governing the Contract and are responsible for determining that the product(s) they intend to purchase fit within the scope of the Award.

References to other government contracts that may be included in a Contractor's pricelist/catalog, including any additional terms or conditions, are void under the OGS Award and should be disregarded. Only OGS' Terms and Conditions, including those within a Contractor's posted Contractor Information and Supplemental Information sheet, are valid under the Contract.

Additionally, Authorized Users are reminded that where discrepancies exist between Price List documents, the lowest price shall prevail (see Section 5.3 Price).

All orders must be placed with the Contractor, or the Contractor's OGS approved Authorized Reseller listed on the OGS website under the Award. Orders placed with a reseller not approved by OGS are not considered contract orders and therefore are not subject to the same terms and conditions of the OGS Award.

Authorized Users should contact the OGS Contract Manager listed on the Award with any questions pertaining to this pricelist/catalog.

# **NYS Price List Effective 3/4/24**



# **Steelcase Pricing and Specification Guides**

# Steelcase Hybrid Solutions

## Availability

**Electronic price list updated** with release 200.G (U.S.) and 156.G (Canada), dated June 19, 2023.

All specifications subject to change without notice. Reference the electronic catalog/Hedberg for current pricing.

Transitional products in this specification guide are **maintained for existing customers only** and are likely to be phased out over time. These products are indicated with a . Products that are scheduled to be culled are indicated with an , followed by the last order entry date.

## Surface Materials

**The surface materials team** has announced the launch of the Finish Library, found at <https://finishlibrary.steelcase.com/>.

► For a list of all trademarks, refer to the last page of this specification guide. © 2023 Steelcase Inc.



## Statement of Line **2**



### Understanding Tables

Ocular—Arc7	<b>4</b>
Ocular—Coupe5	<b>6</b>
Ocular—Coupe3	<b>10</b>
Ocular—Coupe Tech Panels	<b>12</b>



### Specifying Tables

Ocular—Arc7	<b>14</b>
Ocular—Coupe5	<b>16</b>
Ocular—Coupe3	<b>18</b>



## Surface Materials **20**

## Style Number Index **24**

*Note: Ocular table not available to Canadian government.*



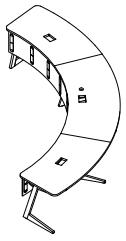
### For Canadian Pricing

Canadian factor can be found at [www.steelcase.com/CADpricing](http://www.steelcase.com/CADpricing). Calculate in the following order to avoid rounding errors:

- Multiply the base price and each option by the Canadian factor.
- Round each to the nearest dollar.
- Add base and options for total list price.

# Statement of Line

## Ocular Tables



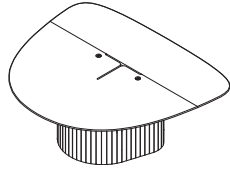
### **Ocular—Arc7**

Understanding

▶ Page 4

Specifying

▶ Page 14



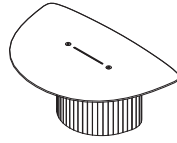
### **Ocular—Coupe5**

Understanding

▶ Page 6

Specifying

▶ Page 16



### **Ocular—Coupe3**

Understanding

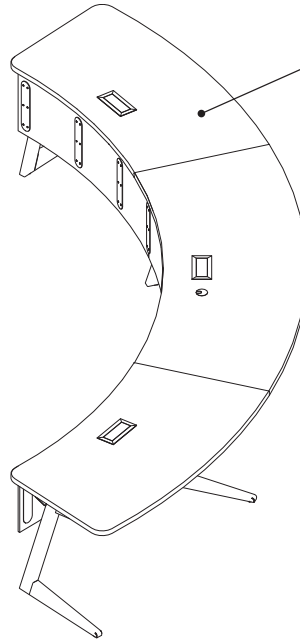
▶ Page 10

Specifying

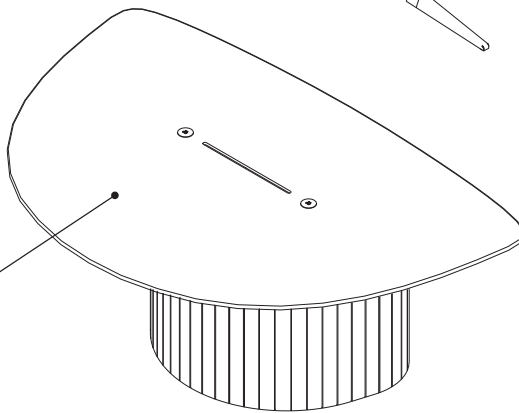
▶ Page 18

**Ocular** is a collection of tables designed to improve sightlines and create more equitable and engaging hybrid meeting experiences within the workplace.

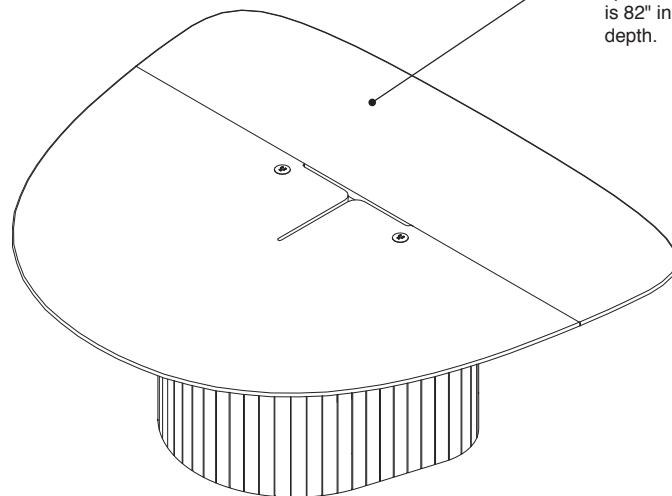
**Ocular's unique table shapes** position users intentionally around the worksurface to ensure that each user has equal presence while on camera while also delivering more natural conversations with virtual meeting attendees.



**Ocular—Arc7** has space for seven seats and is 189<sup>1</sup>/<sub>2</sub>" in width and 60<sup>1</sup>/<sub>2</sub>" in depth.



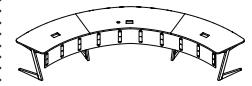
**Ocular—Coupe3** has space for three seats and is 72" in width and 48" in depth.



**Ocular—Coupe5** has space for five seats and is 82" in width and 70" in depth.

# Ocular—Arc7

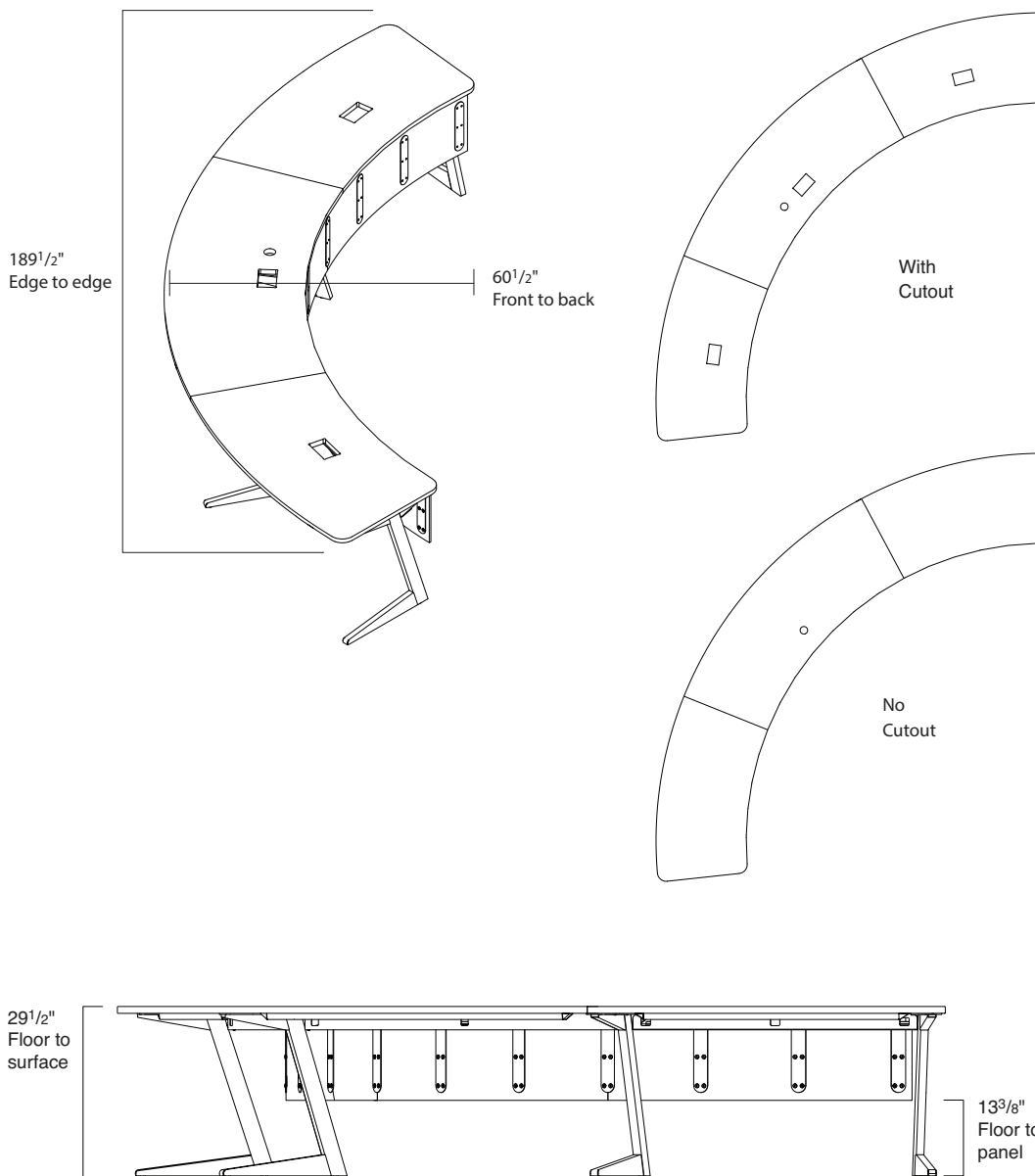
## Product Details



**Ocular—Arc7** is a curved table designed specifically for video centered meetings. All seats (up to seven) are placed on a single side of the table to provide a premier video meeting experience for both in-room and virtual participants.

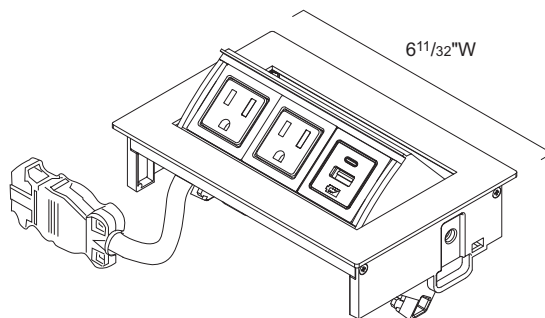
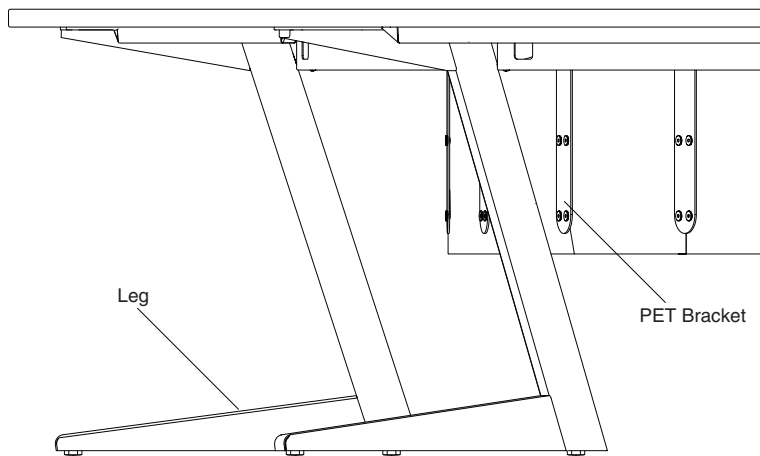
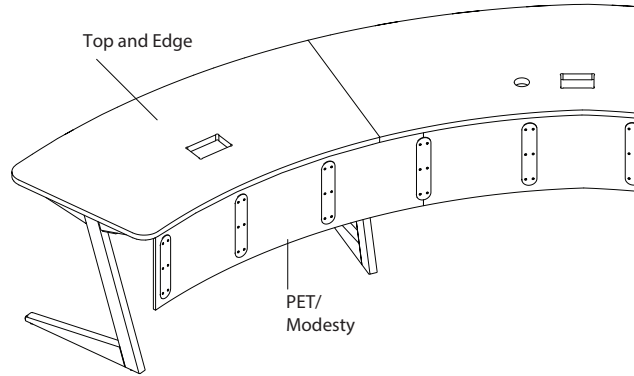
**Two table tops** are currently available for the Ocular—Arc7 table:

- **With cutout** includes three 6<sup>1</sup>/<sub>2</sub>" x 4" cutouts for the Byrne MHO-B power module. A power module cutout is placed in each of the three sections of the table. A single 2<sup>1</sup>/<sub>2</sub>" grommet hole is also included within the middle section of the table to accommodate for a room controller.
- **No cutout** provides a 2<sup>1</sup>/<sub>2</sub>" grommet hole within the middle section of the table. Power module cutouts are not included within this configuration.



## Actual Dimensions

<b>Width</b>	189 <sup>1</sup> / <sub>2</sub> "
<b>Height</b>	29 <sup>1</sup> / <sub>2</sub> "
<b>Depth</b>	60 <sup>1</sup> / <sub>2</sub> "
<b>Weight</b>	326 lb



**Top** is available in High-Pressure Laminate or wood veneer.

**PET screen** provides leg privacy for seated users and is available in medium or dark heather grey.

**Power cutouts** are available in each of the three table sections.

**Grommet cap in black plastic** is provided for the 2<sup>1</sup>/<sub>2</sub>" opening in the center section of the table.

**PET brackets** match the PET screen color and are used to connect the screen to the surface.

**Cable channel** provides room for housing and routing of power and technology cables beneath the surface.

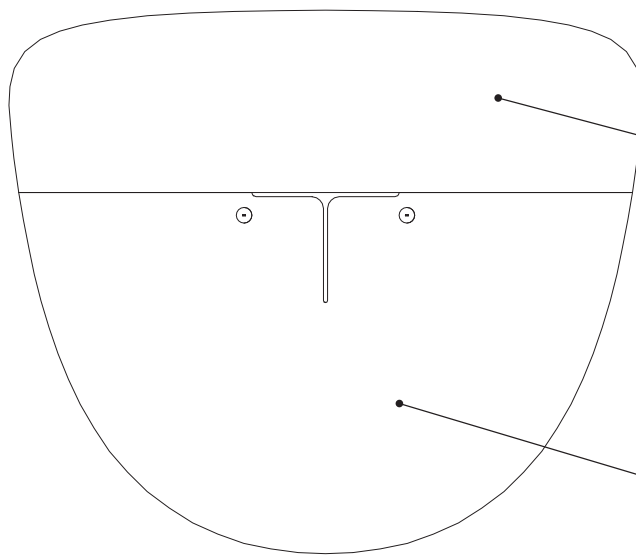
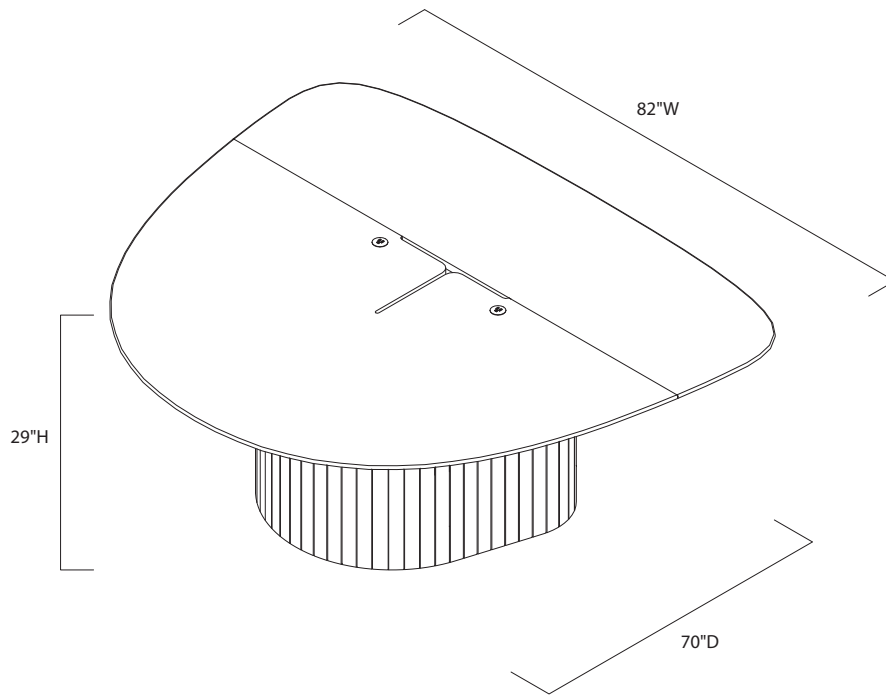
**Metal legs** adjust with glides from 29<sup>1</sup>/<sub>2</sub>" to 30<sup>1</sup>/<sub>4</sub>".



**Surface edge** is only available in straight 3 mm plastic or wood veneer.

**Power units** are three window pop-up units with two 110V AC power receptacles and one combination 20W USB Type-A + Type-C.

# Ocular—Coupe5



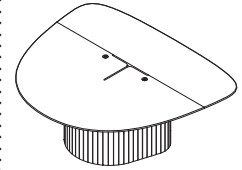
### Top Surface Side B

**A High-Pressure Laminate or wood veneer surface** that can be specified in contrast to surface side A.

### Top Surface Side A

**A High-Pressure Laminate or wood veneer surface** that can be specified in contrast to surface side B.

## Product Details



**The Ocular Coupe5** is designed specifically for video-centered meetings. The table has ample space for up to five seats. The table's surface comes in two sections that are joined together.

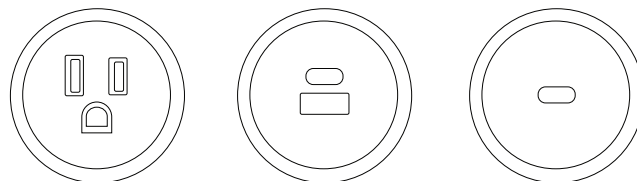
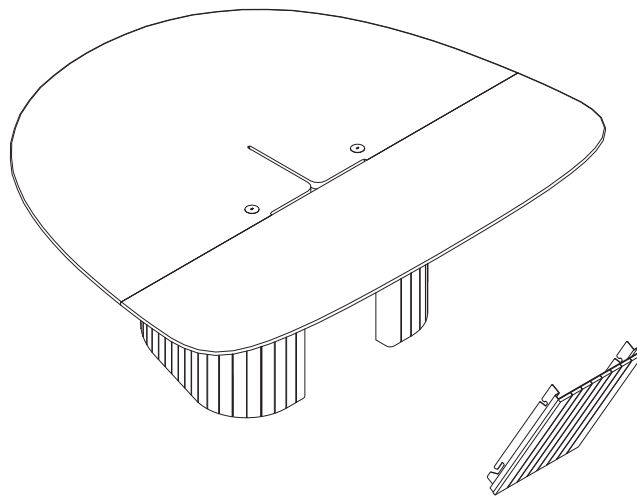
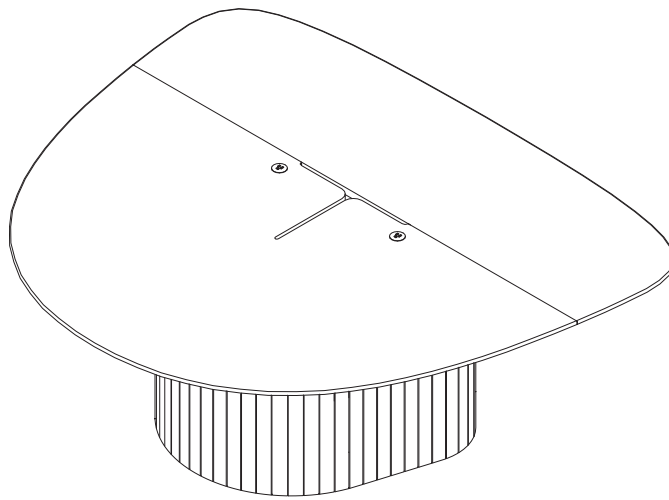
**Two top types** are available for the Ocular Coupe5 table:

- **Contrasting** allows specifiers to select two unique laminate or two unique veneer surface finishes for the two sections of the table surface.
- **Non-contrasting** allows specifiers to select a single laminate or veneer surface finish for the two sections of the table surface.

## Actual Dimensions

<b>Width</b>	82"
<b>Height</b>	29"
<b>Depth</b>	70"
<b>Weight</b>	291 lb





**T-shaped aperture cutout** is standard with the table and allows for easy, flexible access from above and below the table while also helping future proof for new power and technology systems.

**Power** is available in two user accessible positions.

**PET wrapped base and door** offered in dark or medium heather grey.

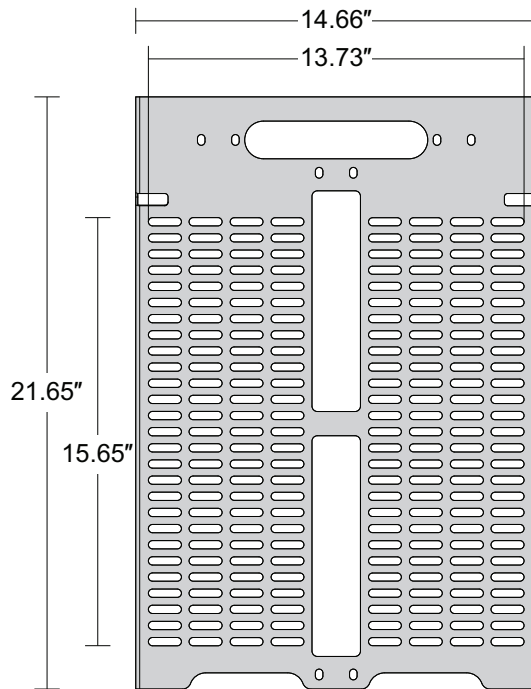
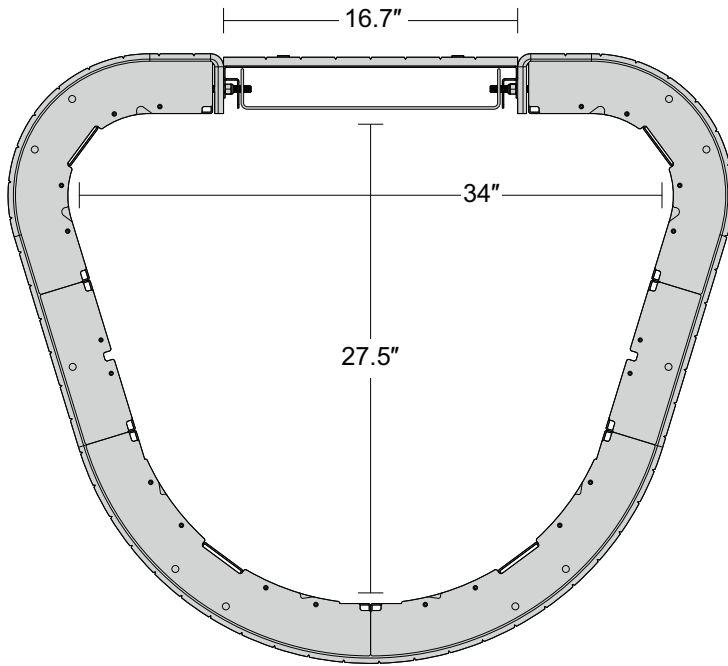
**Glides** below the base adjust from 29" to 30 1/2" to level the table on uneven floors.

**Access door to the large hollow base** provides easy access management to any housed power or technology components. Door is 16 1/2" wide by 26" tall.

**Power** is available in 110V standard power, combination 20W USB Type A+C, or single 60W USB Type C.



**Surface edge** is only available in plastic or wood veneer, in a 1/2" profile to an overall thickness of 1 1/8".

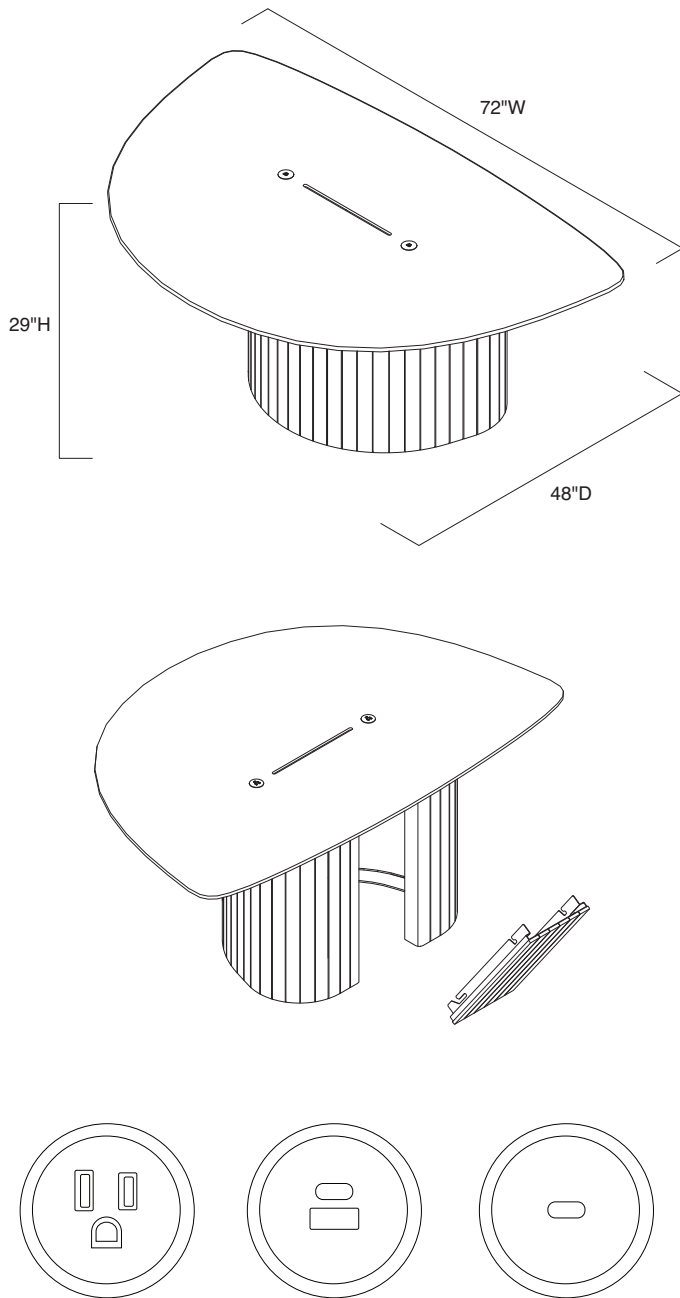


**The tech panel for the Coupe5** comes standard and is included in the list price.

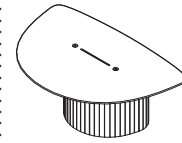
**The tech panel** can also be specified separately through Service Parts.



# Ocular—Coupe3



## Product Details



**The Ocular Coupe3** is designed specifically for video centered meetings. The table has ample space for up to three seats.

**Top** is available in High-Pressure Laminate or wood veneer.

**Power** is available in two user accessible positions.

**Straight aperture cut-out** is standard with the table and allows for easy, flexible access from above and below the table while also helping future proof for new power and technology systems.

**Access door to the large hollow base** provides easy access management to any housed power or technology components. Door is 11½" wide by 26" tall.

**Glides** below the base adjust from 29" to 30½" to level the table on uneven floors.

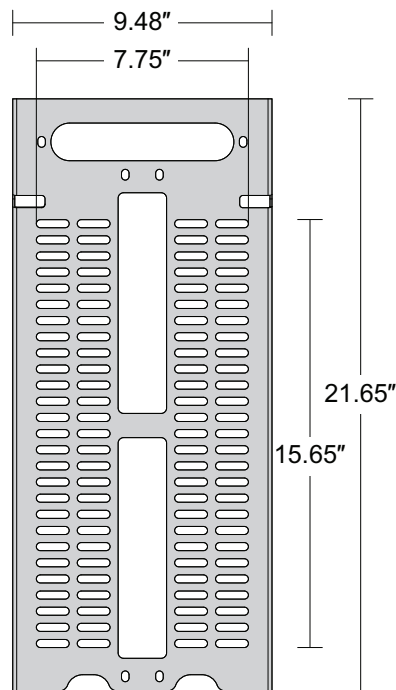
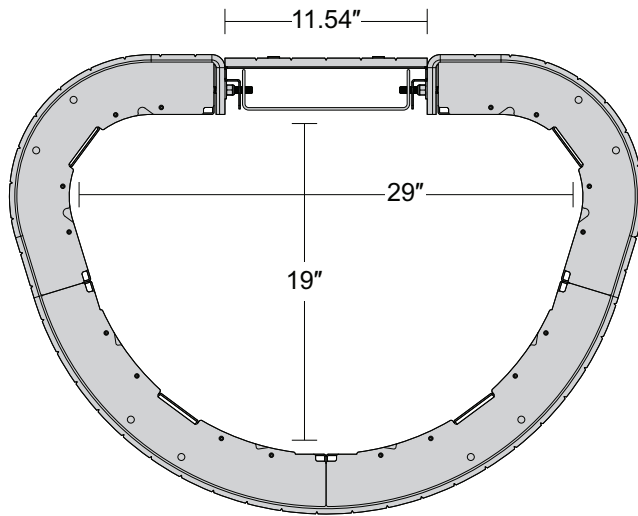


**Surface edge** is only available in plastic or wood veneer, in a ½" profile to an overall thickness of 1⅛".

**Power** is available in 110V standard power, combination 20W USB Type A+C, or single 60W USB Type C.

## Actual Dimensions

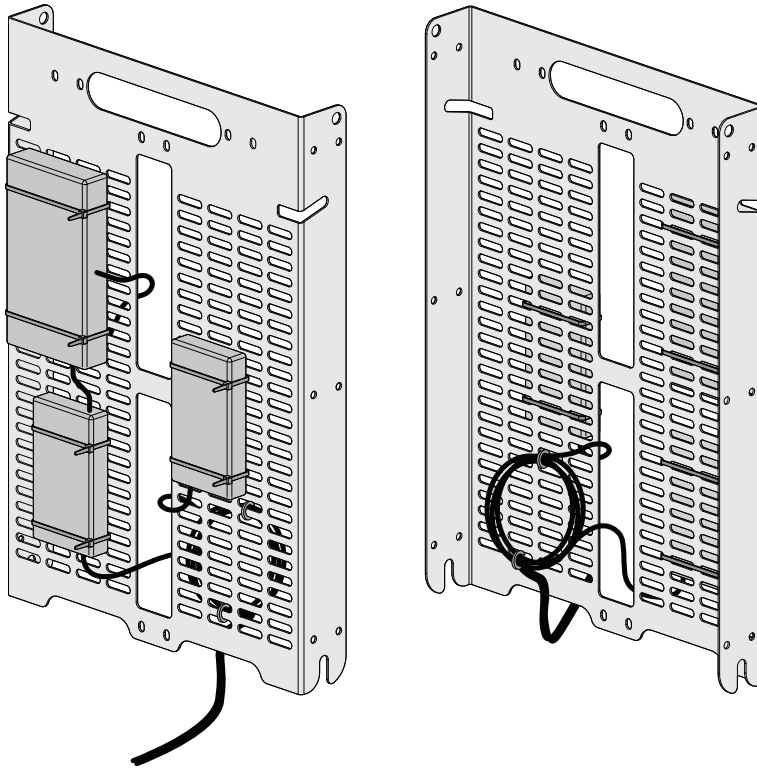
<b>Width</b>	72"
<b>Height</b>	29"
<b>Depth</b>	48"
<b>Weight</b>	187 lb



The tech panel for the Coupe5 comes standard and is included in the list price.

The tech panel can also be specified separately through Service Parts.

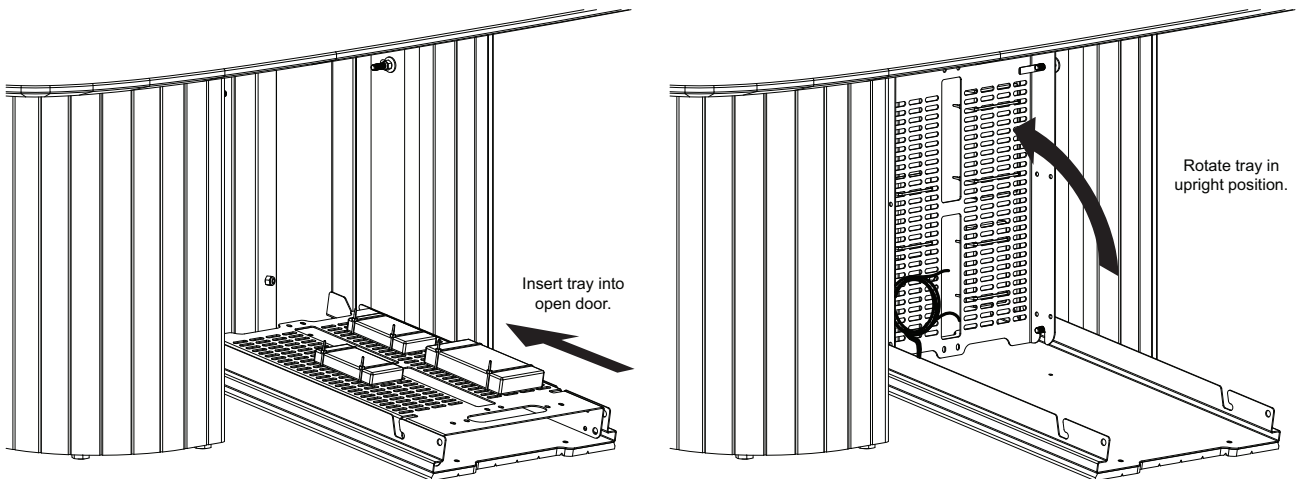
# Ocular—Coupe Tech Panels



## Product Details

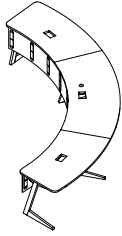
The tech panel of the Coupe3 and Coupe5 tables can be used for mounting and housing a variety of audio video, power, and other technology components (components not sold by Steelcase).

The tech panel is easily inserted into the door of the Coupe3 and Coupe5 tables for mounting cleanly within the base.





# Ocular—Arc7



Standard Includes		Required to Specify
<ul style="list-style-type: none"> <li>▶ Need help? Product details, page 4</li> </ul>	<ul style="list-style-type: none"> <li>• Top: High-Pressure Laminate price group 1 with 3 mm plastic edge, curved shape, three sections</li> <li>• Legs: paint price group 1</li> <li>• Modesty screen: PET, three sections with matching mounting brackets</li> </ul>	<ol style="list-style-type: none"> <li>1 Style number</li> <li>2 Surface type (see below under Required Selections)</li> <li>3 Surface power (see below under Required Selections)</li> <li>4 Laminate color number for top</li> <li>5 Plastic color number for 3 mm plastic edge</li> <li>6 Paint color number for legs</li> <li>7 PET color number for modesty screen</li> <li>8 Options, if selected (see below)</li> </ol> <ul style="list-style-type: none"> <li>▶ See <i>Surface Materials</i>, page 20.</li> </ul>

Tip: Power is only available on a surface with cutout.

	Required Selections	U.S. Price	Required to Specify
<b>Surface Type</b>	• With cutout	No cost	Specify <i>with cutout</i> .
	• No cutout	No cost	Specify <i>with no cutout</i> .
<b>Surface Power</b>	• No power	No cost	Specify <i>with no power</i> .
	• With power	+\$ 850	Specify <i>with power</i> .

	Options	U.S. Price	Required to Specify
<b>Surface Materials</b>	<b>High-Pressure Laminate top</b>		
	• High-Pressure Laminate price group 1	No cost	Specify laminate color number.
	• High-Pressure Laminate price group 2	+\$ 80	Specify laminate color number.
	• High Pressure Laminate price group 3	+\$ 350	Specify laminate color number.
	• Open Line laminate	+\$ 102	Specify laminate color number.
	<b>Wood top</b>		
	• Customiz stain	No cost	Specify <i>with Customiz stain</i> .
	• Veneer group 1	+\$1350	Specify veneer color number.
	• Veneer group 2	+\$1600	Specify veneer color number.
	• Veneer group 3	+\$2200	Specify veneer color number.
• Full-fill finish on veneer group 1	+\$1500	Specify full-fill finish number.	
<b>Leg finish</b>	• Paint price group 1	No cost	Specify paint color number.
	• Paint price group 2	+\$ 300	Specify paint color number.
	• Paint price group 3	+\$ 420	Specify paint color number.
<b>Screen finish</b>	• PC16 Empire	No cost	Specify PC16 Empire.
	• PC17 Flatiron	No cost	Specify PC17 Flatiron.
<b>Surface Power</b>	<b>Power type</b>		
	• Hardwired	No cost	Specify <i>with hardwired</i> .
	• Modular	+\$ 175	Specify <i>with modular</i> .
<b>Power finish</b>	• Paint price group 1	No cost	Specify paint color number.
	• Paint price group 2	No cost	Specify paint color number.
<b>Infeed cord length (modular)</b>	• 72"	No cost	Specify <i>with 72"</i> .
	• 120"	+\$ 80	Specify <i>with 120"</i> .
<b>Power plug type (modular)</b>	• Standard NEMA	No cost	Specify <i>with standard NEMA</i> .
	• 90° NEMA	No cost	Specify <i>with 90° NEMA</i> .

Tip: The bracket paint color will default to match the selected screen color. PC16 Empire will ship with 4799 Platinum Metallic painted brackets. PC17 Flatiron will ship with 7360 Merle painted brackets.



**For Canadian Pricing**  
Multiply U.S. Price by the Canadian price factor.  
▶ See page 1 for details.

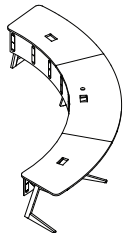


**Specification Information**

• <b>Style Number</b>	• <b>U.S. Base Price</b>
-----------------------	--------------------------

**Ocular Table—Arc7**

<b>STPOCU1</b>	\$12,256
----------------	----------

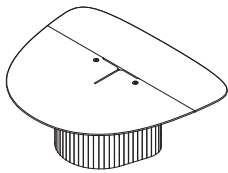


**For Canadian Pricing**

Multiply U.S. Price by the Canadian price factor.

▶ See page 1 for details.

# Ocular—Coupe5



*Tip: Contrasting color schemes must be either laminate to laminate, or veneer to veneer. Laminate to veneer contrasting is not supported due to mismatch in surface material thickness.*

*Tip: The T-shaped aperture has a 1/2" width that can support data, HDMI, USB Type A/C, lighting, and many other cable types.*

Standard Includes		Required to Specify
<ul style="list-style-type: none"> <li>▶ Need help? Product details, page 6</li> </ul>	<ul style="list-style-type: none"> <li>• Top: High-Pressure Laminate price group 1 with 3 mm slice edge</li> <li>• Base: PET wrapped steel column base</li> <li>• Tech panel</li> </ul>	<ol style="list-style-type: none"> <li>1 Style number</li> <li>2 Color scheme (see below under Required Selections)</li> <li>3 Surface power (see below under Required Selections)</li> <li>4 Laminate color for top</li> <li>5 Plastic color number for 3 mm plastic edge</li> <li>6 PET color for base wrap</li> <li>7 Options, if selected (see below)</li> </ol> <ul style="list-style-type: none"> <li>▶ See <i>Surface Materials</i>, page 20.</li> </ul>

	Required Selections	U.S. Price	Required to Specify
<b>Color Scheme</b>	<ul style="list-style-type: none"> <li>• Contrasting</li> <li>• Non-contrasting</li> </ul>	<ul style="list-style-type: none"> <li>No cost</li> <li>No cost</li> </ul>	<ul style="list-style-type: none"> <li>Specify <i>with contrasting</i>.</li> <li>Specify <i>with non-contrasting</i>.</li> </ul>

<b>Surface Power</b>	<ul style="list-style-type: none"> <li>• No power</li> <li>• With power</li> </ul>	<ul style="list-style-type: none"> <li>No cost</li> <li>+\$ 120</li> </ul>	<ul style="list-style-type: none"> <li>Specify <i>with no power</i>.</li> <li>Specify <i>with power</i>.</li> </ul>
----------------------	--	--	---

	Options	U.S. Price	Required to Specify
<b>Surface Materials</b>	<b>High-Pressure Laminate Top (Non-Contrasting)</b>		
	• High-Pressure Laminate price group 1	No cost	Specify laminate color number.
	• High-Pressure Laminate price group 2	+\$ 80	Specify laminate color number.
	• High Pressure Laminate price group 3	+\$ 160	Specify laminate color number.
	• Open Line laminate	+\$ 102	Specify laminate color number.
	<b>Wood Top (Non-Contrasting)</b>		
	• Customiz stain	No cost	Specify <i>with Customiz stain</i> .
	• Veneer group 1	+\$1700	Specify veneer color number.
	• Veneer group 3	+\$2220	Specify veneer color number.
	• Full-fill finish on veneer group 1	+\$1830	Specify full-fill finish number.
	<b>High-Pressure Laminate Top (Contrasting), Side A</b>		
	• High-Pressure Laminate price group 1	No cost	Specify laminate color number.
	• High-Pressure Laminate price group 2	+\$ 53	Specify laminate color number.
	• High Pressure Laminate price group 3	+\$ 105	Specify laminate color number.
• Open Line laminate	+\$ 102	Specify laminate color number.	
<b>High-Pressure Laminate Top (Contrasting), Side B</b>			
• High-Pressure Laminate price group 1	No cost	Specify laminate color number.	
• High-Pressure Laminate price group 2	+\$ 27	Specify laminate color number.	
• High Pressure Laminate price group 3	+\$ 55	Specify laminate color number.	
• Open Line laminate	+\$ 102	Specify laminate color number.	

▶ Options, continued on next page



**For Canadian Pricing**  
Multiply U.S. Price by the Canadian price factor.  
▶ See page 1 for details.

► Options, continued from previous page

	Options	U.S. Price	Required to Specify
<b>Surface Materials, continued</b>	<b>Wood Top (Contrasting), Side A</b>		
	• Customiz stain	No cost	Specify with <i>Customiz stain</i> .
	• Veneer group 1	+\$1120	Specify veneer color number.
	• Veneer group 3	+\$1455	Specify veneer color number.
	• Full-fill finish on veneer group 1	+\$1205	Specify full-fill finish number.
	<b>Wood Top (Non-Contrasting), Side B</b>		
	• Customiz stain	No cost	Specify with <i>Customiz stain</i> .
	• Veneer group 1	+\$ 580	Specify veneer color number.
	• Veneer group 3	+\$ 765	Specify veneer color number.
	• Full-fill finish on veneer group 1	+\$ 625	Specify full-fill finish number.
<b>Base</b>			
• P630 Medium Heather Grey	No cost	Specify P630 Medium Heather Grey.	
• P631 Dark Heather Grey	No cost	Specify P631 Dark Heather Grey.	
<b>Surface Power</b>	<b>Device Configuration – Left</b>		
	• 110V AC	No cost	Specify with <i>110V AC</i> .
	• 60W USB-C	+\$ 270	Specify with <i>60W USB-C</i> .
	• 20W USB A+C	+\$ 135	Specify with <i>20W USB A+C</i> .
	<b>Device Configuration – Right</b>		
	• 110V AC	No cost	Specify with <i>110V AC</i> .
	• 60W USB-C	+\$ 270	Specify with <i>60W USB-C</i> .
	• 20W USB A+C	+\$ 135	Specify with <i>20W USB A+C</i> .
	<b>Power Finish</b>		
	• 6009 Arctic White	No cost	Specify 6009 Arctic White.
• 6000 Black	No cost	Specify 6000 Black.	
• 6527 Merle	No cost	Specify 6527 Merle.	
• 6052 Milk	No cost	Specify 6052 Milk.	
• 6249 Platinum	No cost	Specify 6249 Platinum.	

Tip: Power devices come with 72" cord and NEMA 5-15 3-Prong OCP plug types only.

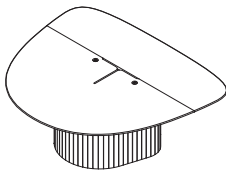
Specifying Tables

**Specification Information**

Style Number	U.S. Base Price

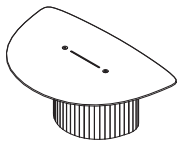
**Ocular Table—Coupe5**

STPOCUGMD5	\$6600
------------	--------



 **For Canadian Pricing**  
 Multiply U.S. Price by the Canadian price factor.  
 ► See page 1 for details.

# Ocular—Coupe3



Tip: The straight aperture has a 1/2" width that can support data, HDMI, USB Type A/C, lighting, and many other cable types.

Tip: Power devices come with 72" cord and NEMA 5-15 3-Prong OCP plug types only.

Standard Includes		Required to Specify
<ul style="list-style-type: none"> <li>▶ Need help? Product details, page 10</li> </ul>	<ul style="list-style-type: none"> <li>• Top: High-Pressure Laminate price group 1 with 3 mm slice edge</li> <li>• Base: PET wrapped steel column base</li> <li>• Tech panel</li> </ul>	<ol style="list-style-type: none"> <li>1 Style number</li> <li>2 Surface power (see below under Required Selections)</li> <li>3 Laminate color for top</li> <li>4 Plastic color number for 3 mm plastic edge</li> <li>5 PET color for base wrap</li> <li>6 Options, if selected (see below)</li> </ol> <ul style="list-style-type: none"> <li>▶ See <i>Surface Materials</i>, page 20.</li> </ul>

Required Selections	U.S. Price	Required to Specify
<b>Surface Power</b> <ul style="list-style-type: none"> <li>• No power</li> <li>• With power</li> </ul>	No cost +\$ 120	Specify <i>with no power</i> . Specify <i>with power</i> .

Options	U.S. Price	Required to Specify
<b>Surface Materials</b>		
<b>High-Pressure Laminate Top</b> <ul style="list-style-type: none"> <li>• High-Pressure Laminate price group 1</li> <li>• High-Pressure Laminate price group 2</li> <li>• High Pressure Laminate price group 3</li> <li>• Open Line laminate</li> </ul>	No cost +\$ 46 +\$ 93 +\$ 102	Specify laminate color number. Specify laminate color number. Specify laminate color number. Specify laminate color number.
<b>Wood Top</b> <ul style="list-style-type: none"> <li>• Customiz stain</li> <li>• Veneer group 1</li> <li>• Veneer group 3</li> <li>• Full-fill finish on veneer group 1</li> </ul>	No cost +\$1200 +\$1470 +\$1270	Specify <i>with Customiz stain</i> . Specify veneer color number. Specify veneer color number. Specify full-fill finish number.
<b>Base</b> <ul style="list-style-type: none"> <li>• P630 Medium Heather Grey</li> <li>• P631 Dark Heather Grey</li> </ul>	No cost No cost	Specify P630 Medium Heather Grey. Specify P631 Dark Heather Grey.

<b>Surface Power</b>	<b>Device Configuration—Left</b> <ul style="list-style-type: none"> <li>• 110V AC</li> <li>• 60W USB-C</li> <li>• 20W USB A+C</li> </ul>	No cost +\$ 270 +\$ 135	Specify <i>with 110V AC</i> . Specify <i>with 60W USB-C</i> . Specify <i>with 20W USB A+C</i> .
	<b>Device Configuration—Right</b> <ul style="list-style-type: none"> <li>• 110V AC</li> <li>• 60W USB-C</li> <li>• 20W USB A+C</li> </ul>	No cost +\$ 270 +\$ 135	Specify <i>with 110V AC</i> . Specify <i>with 60W USB-C</i> . Specify <i>with 20W USB A+C</i> .
	<b>Power Finish</b> <ul style="list-style-type: none"> <li>• 6009 Arctic White</li> <li>• 6000 Black</li> <li>• 6527 Merle</li> <li>• 6052 Milk</li> <li>• 6249 Platinum</li> </ul>	No cost No cost No cost No cost No cost	Specify 6009 Arctic White. Specify 6000 Black. Specify 6527 Merle. Specify 6052 Milk. Specify 6249 Platinum.



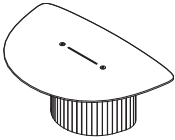
**For Canadian Pricing**  
 Multiply U.S. Price by the Canadian price factor.  
 ▶ See page 1 for details.

**Specification Information**

• <b>Style Number</b>	• <b>U.S. Base Price</b>
-----------------------	--------------------------

**Ocular Table—Coupe3**

<b>STPOCUGMD3</b>	\$4650
-------------------	--------



**For Canadian Pricing**

Multiply U.S. Price by the Canadian price factor.

▶ See page 1 for details.

# Surface Materials

## Resources

For more information about surface materials, refer to the following resources:

**Additional surface materials specification tools** are available to assist you in the specification process—the Surface Materials Binders.

**The global surface materials palette** is a core collection of finishes that is available across multiple geographies (Americas/EMEA – Europe, Middle East, and Africa/APAC – Asia Pacific) and on global product lines, where applicable. For a list of finishes included in the offering, see the Surface Materials Reference Manual. Additional details, like product approvals by geography and finish number conversions, can also be found in the Surface Materials Reference Manual or see [steelcase.com/surface-materials](http://steelcase.com/surface-materials).

## Surface Materials Binders

- include:
- Surface Materials Reference Manual
  - A complete set of swatch cards for hard surfaces, vertical surface fabrics, and seating upholstery

## Fabric

### Steelcase Surfaces

- Applies to:
- Ocular tables

### Price Group 1

#### PET

- PC16 Empire
- PC17 Flatiron

## Paint

### Steelcase Surfaces

#### Price Group 1

##### Smooth Paint

- 4242 Milk
- 4710 Low Gloss Black

##### Textured Paint

- 7207 Black
- 7237 Slate **E**
- 7238 Fieldstone
- 7239 Midnight
- 7241 Arctic White
- 7250 Sterling Dark Solid
- 7278 Dark Bronze
- 7360 Merle

#### Price Group 2

##### Smooth Paint

- 0835 Black
- 4700 Warm White

##### Smooth Metallic Paint

- 4750 Champagne Metallic
- 4799 Platinum Metallic
- 4803 Near Black Metallic

##### Textured Metallic Paint

- 7245 Carbon Metallic

#### Price Group 3

##### Accent Paint

- 1ATG Rose Quartz
- 4AV3 Blue Jay
- 4AV4 Baltic
- 4AX1 Citron
- 4AY2 Chili
- 4AZ5 Marlin
- 4CZ5 Honey
- 4CZ6 Lagoon
- 4CZ8 Light Peacock

##### Lux Coatings

- 4B20 Obsidian
- 4B22 Matte Brass
- 4B23 Burnished Bronze
- 4B24 Night Bronze
- 4B25 Matte Copper
- 4B26 Smoked Mica
- 4B29 Cast Iron

## Custom Surfaces

### Price Group 3

#### PerfectMatch

PerfectMatch is a service that allows you to create your own paint color. Refer to the *Surface Materials Reference Manual* for more information about this program.

## Accessory Paint

### Steelcase Surfaces

Applies to:

- Ocular tables
- 4140 Arctic White Gloss
- 4144 Black Gloss

## Laminate

Applies to:

- Ocular tables

## Steelcase Surfaces

### High-Pressure Laminate

#### Price Group 1

##### Fiber Laminate

- 2850 Vanadium Fiber
- 2852 Tungsten Fiber
- 2854 Vellum Fiber **E**
- 2860 Granite Fiber
- 2862 Stucco Fiber **E**

##### Micro Laminate

- 2920 Marl Micro
- 2921 Gypsum Micro
- 2922 Clay Micro

##### Patina Laminate

- 2870 Blonde Bronze Patina
- 2873 Instant Iron Patina

##### Solid Laminate

- 2722 Cream **E**
- 2730 Arctic White
- 2746 Black
- 2759 Warm White
- 2811 Mist **E**
- 2883 Seagull
- 2884 Milk
- 2885 Dune
- 2HAA Persian Salt
- 2HAB Rose
- 2HAC Indigo
- 2HAD Green Citrine
- 2HAE Dark Olivine
- 2HAF Cloudy
- 2HMG Merle

## Speckle Laminate

- 2820 Coffee Speckle **E**
- 2823 Driftwood Speckle
- 2824 Smoke Speckle
- 2825 Vanadium Speckle

*Tip: Some wood veneer finishes and woodgrain laminates share the same name. Because of the difference in materials, veneers and laminates of the same name are not an exact match but do coordinate with each other.*

## Woodgrain Laminate

- 2511 Winter on Maple
- 2535 Virginia Walnut
- 2536 Blackwood **E**
- 2538 Clear Walnut
- 2592 Blonde on Maple **E**
- 2612 Marbled Maple **E**<sup>+</sup>
- 2614 Chocolate Walnut **E**<sup>+</sup>
- 2615 Marbled Cherry **E**<sup>+</sup>
- 2714 Natural Walnut **E**
- 2HAK Clear Oak
- 2HAN Ash Noce
- 2HAT Acacia
- 2HAW Ash Wenge
- 2HBN Bisque Noce
- 2HBW Bisque Wenge
- 2HCN Clay Noce
- 2HCW Clay Wenge
- 2HSN Storm Noce
- 2HSW Storm Wenge
- 2HWA Grey Kingswood
- 2HWB Planked Walnut
- 2HWD Resolute Walnut
- 2HWE Natural Recon
- 2HWF Smoked Walnut
- 2HWU Clay
- 2HWV Chalk

## Price Group 2

### Textured Laminate

- 2TH2 Fawn Cypress
- 2TH4 Saddle Oak
- 2TH5 Veranda Teak
- 2TH7 Walnut Heights
- 2UH1 Reclaimed Aggregate
- 2UH2 Reclaimed Gravel
- 2UH4 Cement
- 2UH6 Sheetrock

## Price Group 3

### Solid Laminate

- 24H1 Satin White
- 24H2 Satin Black
- 24H3 Satin Stone
- 24H4 Satin Mocha

## Custom Surfaces

### Open Line Laminate (OLL)

This service allows you to order non-standard laminate at an additional processing fee of \$102 U.S. per unit, plus the cost of the laminate.

High-Pressure Laminate pricing does not include premium or digitally printed patterns from any suppliers. Laminate cost may also vary for basic or standard laminates from other suppliers. Please contact the OLL consultant at 616.475.2426 for pricing. The cost of the laminate will be added to your invoice as a separate line on the acknowledgement.

When processing orders for Open Line laminate on Universal worksurfaces and Universal Storage tops, specify 2900 in the laminate finish field and enter the OLL manufacturer information. Enter the required edge finish as you would a standard laminate.

### Laminate Approval and Material Requirements

To confirm whether a particular laminate has already been tested for use on a specific Steelcase product or to determine material square foot requirements:

- Visit [www.steelcase.com](http://www.steelcase.com)

**For additional information**, refer to the *Steelcase Surface Materials Reference Manual*.

**E** = Established

## Wood

Applies to:

- Ocular tables

Steelcase carefully selects veneer and solid wood for consistent color and grain structure. Wood is a natural material and variations will occur in color, grain and texture. These variations are part of the inherent natural beauty of wood and are not considered defects.

All wood products will darken with age and exposure to ultraviolet light. This is especially apparent with cherry and maple veneer. We recommend that desk accessories be rearranged periodically to ensure even aging of wood surfaces.

When storing your wood furniture, please follow the following guidelines:

- Do not store products in trailers
- Store products in areas that simulate office temperatures (60°F to 90°F)
- Store products in areas that maintain constant, office-like humidity levels
- Keep product away from light. Cover products to make sure they are not exposed to light.

## Steelcase Surfaces

**Veneers** are matched for proper balance and consistency. Veneers are available flat cut or quarter cut, except for Oak, which is rift cut. Refer to the *Surface Materials Reference Manual* for descriptions of each cut.

**Open-pore finish** is a medium gloss finish that leaves the wood grain texture visible to the eye and distinguishable to the touch.

## Veneer

### Wood Group 1

#### Flat-Cut Open-Pore

- 3062 FC/OP Graphite Walnut
- 3402 FC/OP Clear Cherry (Aged)
- 3412 FC/OP Natural Cherry **E**
- 3422 FC/OP Medium Cherry
- 3522 FC/OP Clear Maple
- 3592 FC/OP Blonde on Maple **E**
- 3702 FC/OP Clear Walnut
- 3712 FC/OP Natural Walnut
- 3752 FC/OP Medium Walnut **E**
- 3762 FC/OP Dark Walnut
- 3772 FC/OP Medium Mahogany on Walnut

#### Flat-Cut Low Sheen

- V1AC FC/LS Natural (Raw) Cherry
- V1AM FC/LS Clear Maple
- V1CC FC/LS Medium Amber Cherry
- V1EW FC/LS Dark Walnut

#### Flat-Cut Open-Pore, Natural Veneer

- 3342 FC/OP Black Walnut
- 35A2 FC/OP Blanch Maple
- 37A2 FC/OP Thunder Walnut

#### Quarter-Cut Open-Pore

- 3042 QC/OP Ash **E**
- 3222 QC/OP Clear Maple
- 3292 QC/OP Blonde on Maple **E**
- 3302 QC/OP Clear Walnut
- 3312 QC/OP Natural Walnut
- 3352 QC/OP Medium Walnut **E**
- 3362 QC/OP Dark Walnut
- 3372 QC/OP Medium Mahogany on Walnut
- 3382 QC/OP Graphite Walnut

#### Quarter-Cut Open-Pore, Natural Veneer

- 32A2 QC/OP Blanch Maple
- 33A2 QC/OP Thunder Walnut
- 3392 QC/OP Black Walnut

#### Rift-Cut Open-Pore

- 3602 RC/OP Desert Oak

#### Rift-Cut Open-Pore, Natural Veneer

- 36A2 RC/OP Volcanic Oak

### Wood Group 3

#### Flat-Cut Open-Pore, Natural Veneer

- 3082 FC/OP Washed Walnut

### Wood Group 1

#### Open-Pore Planked Veneer

- 3P41 OP Planked Cherry
- 3P51 OP Planked Maple
- 3P61 OP Planked Oak
- 3P71 OP Planked Walnut
- 3VFX OP Unmarked Oak

*Tip: Known for its uniqueness, planked veneer has intentional and natural variations that include, but are not limited to: character marks, grain pattern, color, and natural color aging.*

### Full-Fill

**Full-fill finish** is a medium-gloss finish that completely fills the grain texture, yet allows the grain pattern to be seen. The wood has a lustrous, satiny look, and it is smooth to the touch. This finish is available on the wood worksurface or field-installed top only.

### Wood Group 2

#### Flat-Cut Full-Fill

- 3064 FC/FF Graphite Walnut
- 3404 FC/FF Clear Cherry (Aged)
- 3414 FC/FF Natural Cherry **E**
- 3424 FC/FF Medium Cherry
- 3524 FC/FF Clear Maple
- 3544 FC/FF Blonde on Maple **E**
- 3704 FC/FF Clear Walnut
- 3714 FC/FF Natural Walnut
- 3754 FC/FF Medium Walnut **E**
- 3764 FC/FF Dark Walnut
- 3774 FC/FF Medium Mahogany on Walnut

#### Flat-Cut Full-Fill, Natural Veneer

- 3734 FC/FF Black Walnut

#### Quarter-Cut Full-Fill

- 3224 QC/FF Clear Maple
- 3294 QC/FF Blonde on Maple **E**
- 3304 QC/FF Clear Walnut
- 3314 QC/FF Natural Walnut
- 3354 QC/FF Medium Walnut **E**
- 3364 QC/FF Dark Walnut
- 3374 QC/FF Medium Mahogany on Walnut
- 3384 QC/FF Graphite Walnut

#### Quarter-Cut Full-Fill, Natural Veneer

- 3394 QC/FF Black Walnut

#### Rift-Cut Full-Fill

- 3604 RC/FF Desert Oak

### Wood Group 3

#### Flat-Cut Full-Fill, Natural Veneer

- 3084 FC/FF Washed Walnut

### Premium Veneers

A selection of Premium veneers in this collection are available on most Steelcase brand products. The collection will be available as close to standard leadtimes as possible. However, because adequate supplies of veneer and solids must be secured, all orders will be scheduled individually. Leadtimes will vary based on Premium veneer and Premium solids availability at the time the order is placed. The collection is available as Wood Group 3 as part of our Select Surfaces program, and supported like standard veneers to make ordering easy. Please see the Steelcase surface materials section on [village.steelcase.com](http://village.steelcase.com) for sample information and product line availability. All premium veneers are in clear-coat.

### Wood Group 3

#### Quarter-Cut Open-Pore

- 3832 QC/OP Figured Anegre

**E** = Established

**Select Surfaces**

**Composite Veneer**

Composite veneers are an engineered wood intended to create specific grain patterns and characteristics. They are pre-stained and finished with Steelcase's Clarity water-borne UV topcoat, which protects the environment while providing durability and clarity. Only open-pore finishes are available on composite wood. Composite veneer and matching edge bands are available on most Steelcase brand products. Composites, for use as a solid nosing substitute, are not available. Steelcase does not recommend mixing composite veneers with natural solid nosings because composite and natural wood grain and color matching are rarely compatible. Composite veneers are available as Wood Group 1 pricing as part of our Select Surfaces program.

**Wood Group 1**

**Flat-Cut Open-Pore**

- 3JDX FC/OP Oak Composite
- 3JJX FC/OP Walnut Composite

**Quarter-Cut Open-Pore**

- 3F8X QC/OP European Walnut Composite
- 3GGX QC/OP Zebrano Composite
- 3HGX QC/OP Oak Composite
- 3HVX QC/OP Walnut Composite
- 3ZNX QC/OP Night Cerused Oak Composite

**Custom Surfaces**

**Customiz stain** is a service that allows you to create your own stain colors and finishes on standard veneer. Customiz stain color is available on all product lines that offer wood veneer.

A \$500 stain-matching fee applies on CUSTOMIZ requests (Exception: The \$500 fee does not apply on matches to Coalesse standard finishes or for a low-gloss finish request on a standard color). The \$500 fee covers the cost of formulating the Customiz color finish and applies regardless of whether or not an order for product is placed.

In addition, an approval form must be signed to indicate customer acceptance of Customiz match. A \$1,500 initiation fee will be charged prior to first order entry. This initiation fee activates the finish for unlimited use on any Steelcase product for an 18 month time period. After the 18 month time period has lapsed, the Customiz finish may be reactivated for another 18 months for a \$1,000 fee at any point within five years after the \$1,500 initiation fee was paid. If the finish is not reactivated within five years after the \$1,500 initiation fee was paid, the finish will be culled and the customer will need to pay the \$1,500 initiation fee again. All style number related Customiz charges products are no cost as of April 2014. The matching and initiation fees are not discountable.

Customiz stain takes 10 days to formulate. Consult the *Surface Materials Reference Manual* for more information. Custom veneers are also available and must be quoted by Steelcase specials group. Customiz stain on custom veneers takes 2 to 4 weeks to formulate.

Requirements and information on ordering a Customiz stain color are found in the *Surface Materials Reference Manual*.

**E** = Established

**Plastic**

**Steelcase Surfaces**

Applies to:

- Ocular tables
- 6000 Black
- 6009 Arctic White
- 6034 Natural Cherry
- 6036 Medium Cherry
- 6037 Winter on Maple
- 6038 Blonde on Maple **E**
- 6041 Natural Walnut **E**
- 6052 Milk
- 6053 Seagull
- 6169 Stone
- 6170 Mocha
- 61AA Persian Salt
- 61AB Rose
- 61AC Indigo
- 61AD Green Citrine
- 61AE Dark Olivine
- 61AF Cloudy
- 6213 Acacia
- 6219 Clear Oak
- 6231 Graphite Walnut
- 6237 Clear Maple
- 6242 Virginia Walnut
- 6243 Blackwood **E**
- 6245 Clear Walnut
- 6527 Merle
- 6615 Grey V5
- 6619 Ice **E**
- 6631 Cream
- 6636 Mist
- 6654 Sand
- 6655 Warm White
- 66WA Grey Kingswood
- 66WB Planked Walnut
- 66WD Resolute Walnut
- 66WE Natural Recon
- 66WF Smoked Walnut
- 66WU Clay
- 66WV Chalk
- 6703 Ash Wenge
- 6704 Storm Wenge
- 6705 Bisque Wenge
- 6706 Clay Wenge
- 6707 Ash Noce
- 6708 Bisque Noce
- 6709 Clay Noce
- 6710 Storm Noce
- 6T02 Fawn Cypress
- 6T04 Saddle Oak
- 6T05 Veranda Teak
- 6T07 Walnut Heights
- 6T08 Aggregate
- 6T09 Gravel
- 6T10 Cement
- 6T12 Sheetrock





# Style Number Index

<b>Style Number</b>	<b>Page</b>	<b>Description</b>
<b>STPOCU1</b>	15	Ocular—Arc7
<b>STPOCUGMD3</b>	19	Ocular—Coupe3
<b>STPOCUGMD5</b>	17	Ocular—Coupe5



# Trademark List

® The following are registered trademarks for products of Steelcase Inc. or one of its related corporate entities: 4 o'clock, 900 Series, à la carte, Airtouch, Ally, Amia, Answer, Archipelago, Avenir, Ballet, Bix, Brayton International, Cachet, Canopy, Canto, Chancellor, Coalesse, Confidante, Context, Convene, CopyCam, Criterion, Crushed Can, Currency, dash, Designtex, Details, Detour, Drive, Elective Elements, Ellipse, Ember Chrome, Emerge, E-Table 2, FYI, Garland, Gentry, Ginkgo Biloba, Groupwork, Ideo, Jacket, Jenny, Jersey, Kart, Kick, LaCosta, Leap, LessThanFive, Let's B, LiveBack, Max-Stacker, media:scape, Metro, Migrations, Mitra, Montage, Nurture, Oriana, Parade, Pathways, PCT, Permiso, Player, Portal, Power Pincher, Progeny, Protégé, R2, Rally, Relevant, Reply, Rizzi Arc, Sensor, Series 9000, Siento, Sieste, Sine, Softcare, Springboard, Steelcase, Steelcase Design Partnership, Stella, Stow Davis, Swathmore, Sylvi, TeamWork, Technique, Texpress, Think, Thunder, Topo, Train, turnstone, Underline, Unison, Vecta, Viridian, Walden, Werndl, and X-Stack.

® The following registered trademarks are under license from AWI Licensing Company, Dover, DE: SoundScapes, DuraBrite, BioBlock, and Armstrong.

® The following registered trademarks are under license from Byrne Electrical, Rockford, MI: Interport, Mini-Port, Axil Z, and Ellora.

® The following is a registered trademark of DuPont, Wilmington, DE: Corian.

® The following is a registered trademark of Genlyte Thomas Company, Louisville, KY: Lightolier.

® The following is a registered trademark of Hilti Corporation, FL-9494 Schaan, Principality of Liechtenstein: Hilti.

® The following is a registered trademark of Leviton Manufacturing Company, Little Neck, NY: Decora.

® The following is a registered trademark of Mechanical Plastics Corp, Elmsford, NY: Toggler.

® The following is a registered trademark of Microsoft Corporation, Redmond, WA: Microsoft.

® The following are registered trademarks of Orangebox Ltd., Cardiff, UK: Orangebox.

® The following is a registered trademark of Panduit Corporation, Lockport, IL: Panduit.

® The following is a registered trademark of Trav (Press), Cuneo, Italy: Assisa.

® The following is a registered trademark of Virtual Ink, Boston, MA: mimioActive.

® The following registered trademarks are under license from Wilkhahn Furniture Products: Avera, Senzo, Versal, and Wilkhahn FS.

® The following are registered trademarks of Polyvision Corp: Flow, Motif, Polyvision, Sans, and Serif.

® The following is a registered trademark of Wilsonart International, Temple, TX: Chemsurf.

® The following is a registered trademark of Wiremold, West Hartford, CT: Wiremold.

® The following is a registered trademark of EMU Group S.P.A., Perugia, Italy: EMU.

® The following is a registered trademark of Security People, Inc.: Digilock.

® The following are registered trademarks of Natural Capital Partners Europe Limited: CarbonNeutral and the CarbonNeutral Certified logo.

™ The following are trademarks for products of Steelcase Inc. or one of its related corporate entities: Access, Active/Passive Shelf, Agree, Ainsley, Akira, Alcove, Alerion, Alight, Amaris, American Elect, American Tradition, ap40, Arbor, Arriva, Asana, Ascot, Aspekt, Astor, Await, Bassline, B-Free, Bira, Bivi, Bixby, Bottomline, Brody, Brook, Buoy, Burton, c:scape, Calla, Calm, Camber, Campfire, Capa, Cappuccino, Cesar, Chester, Chord, Circa, Clarendon, Classic Rectangular, Clipper, cobl, Collaboration, Community, Company, Convey, Cortex, Coupe, Crea, Crew, Cura, Cypress, Davenport, Dearborn, Deck, Déjà, Denizen, Denska, Derby, DeskWizard, Divisio, Donovan, Dune, Duo, Echo, Edge, Elbrook, Elsa, Empath, Empress, Enea, ēno, EnSync, Enviro, Escapade, Everwall, Exchange, Exponents, Field, Flat Top, FlexFrame, Flip Top, Flute, Folio, FrameOne, FreeFlow, Frontier, Galilei, Gesture, Ginger, Ginkgo, Go Wall, Grip, Groove, Hatchback, Hawthorne, Hitch, Host Collection, Hosu, Huddleboard, i2i, Impact, Indy, InfoLink, IOS, I-Solve, Jack, Jarrah, Jetty, Juice, Kami, Kast, Kathryn, Lagunitas, Lark, L'Attitude, LearnLab, Leela, Lincoln, Linden, LiveSeat, Loria, Lyric, Malibu, Malibu Too, Mansfield, Marathon, Marien152, Martini, Mason, Masque, Migration, Millbrae, Mineral, Mingle, Mystic, Mystic Metal, Mystic Wood, Montara650, Montreal, MoreThanFive, Move, Nadia, Neighbor, nesso, Nickel, Nikko, Nod, Node, Norfolk, Ocular, Ology, Ontrak, Oom, Opus, Orchid, Outlook Collection, Ovation, Paloma, Paperflo, Parliament, Pasio, Passerelle, Patriarch, Payback, Peek, Pile File, Pisa, Pool, Potrero415, PUCK, QiVi, Quba, Rave, Reed, Regard, Relay, Reunion, Ripple, Riser, Roam, Rocco, Rocky, RoomWizard, Runner, Satellite, Sawyer, ScapeSeries, Senti, Sentinel, Senza, Sequoia, Session, ShareLink, Shield, Shortcut, Sidewalk, SILQ, Skylar, Slumber, Smoke, Snug, Soft Leaf, Sonata, Sorrel, SOTO, Southside, Stationkits, Steelcase Karman, Steelcase Series, Stiletto, Surprise!, Surround, Switch, Symphony, Sync, TagWizard, Tava, TeamStudio, TeamTheater, Tenaro, Tenor, Terrazzo, Theorem, Thread, Topaz, Touchdown, Tour, Tower Too, Trees, Trillium, Trolley, tX2, U-Free, Umami, Underscore, Uno, V.I.A., Verb, Verge, Verlay, Victor2, Visalia, Waldorf, Woodruff, Workspring, WorkValet and X-tenz.

™ The following is a trademark of Microsoft Corporation, Redmond, WA: Windows.

™ The following is a trademark of Rodman Industries, Inc., Oconomowoc, WI: ResinCore1.

™ The following is a trademark of Ultrafabrics, LLC, Elmsford, NY: Ultraleather.

™ The following trademarks are under license from Wilkhahn Furniture products: Cana, Linus, Logon, Picto, Range, Stitz, Thema, Timetable, and Tubis.

™ The following is a trademark of Cradle to Cradle Products Innovation Institute, Oakland, CA: Cradle to Cradle Certified.

™ The following trademarks are under license from Walter Knoll: Andoo, Bob, Lazlo, Lox, Ribbon, and Together.

™ The following trademarks are under license from PP Møbler: Bar and Flag Halyard.

™ The following trademarks are under license from Carl Hansen: Elbow, Paddle, Shell, Wing, and Wishbone.

™ The following trademarks are under license from Cambridge Sound Management, LLC, Cambridge, MA: QtPro Soundmasking, Qt Quiet Technology, and Sonet Qt.

™ The following is a trademark of Electri-Cable Assemblies, Shelton, CT: Interact.

™ The following is a trademark of Clestra Hauserman: IRYS.

™ The following is a trademark of Wiesner-Hager Möbel GmbH: Nooi.

™ The following are trademarks of Polyvision: Accord, a<sup>3</sup>, e<sup>3</sup>, Boundri, and Nota.

™ The following is a trademark of Bostock Company, Inc: SnapCab.

™ The following is a trademark of Williams-Sonoma, Inc: West Elm.

™ The following is a trademark of Elena Marquina Testor: nanimarquina.

™ The following is a trademark of Forbo International SA: Forbo.

™ The following are trademarks of Orangebox Ltd., Cardiff, UK: Air<sup>3</sup>, Aspect, Avi, Away from the Desk, Border, Campers & Dens, Coppice, Cubb, Kim, On the QT, Ramsey, Skomer, Sully, Track-B, and Vale.

™/® The following are trademarks or registered trademarks of AMQ Solutions, LLC: AMQ, AMQ logo, KINEX, ILINE, ACTIV, AMOBI, CONCUR, 3F, REVI, S-SERIES, JAKU, SIYA, ZILO, BODI, FL-X, TIZU, EMBANK, TEKTIS and BIXBY.

™/® The following are trademarks or registered trademarks of Viccarbe Habitat, S.L.: Holy Day, Last Minute, Wrapp, Foro, Kelly, Noha, Viable, Solar, Sistema, Savina, Designed In The Sun, Cambio, Aleta, Viccarbe (logo), Viccarbe.

*Trademarks used here in are the property of Steelcase Inc. or of their respective owners.*