

Understanding and Specifying cobi 434 Series Collaborative Chairs

Product Details

cobi 434 Series	308
Dimensions	310

Specifying

Collaborative Chairs	312
Swivel-Base Stools	314

Collaborative chairs

Collaborative seating promotes comfort for long periods of time and promotes movement, offers automatic and intuitive adjustments, and supports multiple postures.

- QiVi 428 Series
- cobo 434 Series
- Node 480 Series

Adjustability Features

▶ See page 24 for a comparison to other chairs

cobi 434 Series

Mechanisms

Weight-activated ●

Seat Adjustments

Pneumatic height ●

Back Adjustments

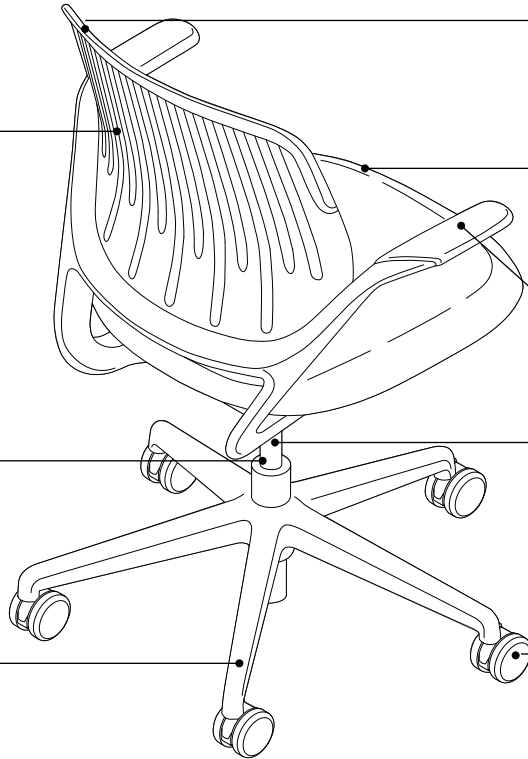
Self adjusting ●

Other Features

Foot ring height (stool) ●

cobi 434 Series

cobi is collaborative seating for teams that helps people move freely, change postures, and stay energized and comfortable.



Flexing fingers in back offer support while moving and conforming to the user.

Weight-activated mechanism provides support by automatically responding to the users movements.

Five-arm base is standard.

Flexible top edge allows for multiple postures while maintaining support and comfort.

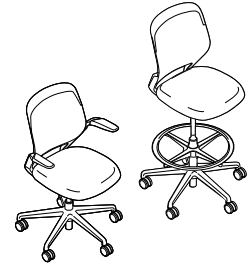
Flexible seat edge on all 3-sides supports multiple postures while relieving thigh pressure.

Arms are constructed of a soft durable rubber compound.

Seat height adjusts with a 5" range from 15½"H to 20½"H with a pneumatic adjustment mechanism.

Casters have hard, dual-wheels that roll smoothly on carpets. They are 2½" for increased mobility. Soft, dark grey treaded, dual-wheel roll-control casters are available for use on hard floors or mats. Stools are standard with 2" hard casters. Soft casters are available as an option.
Tip: Do not roll the chair across asphalt during installation as this may damage the casters.

Product Details



Chairs and stools are available with or without arms.

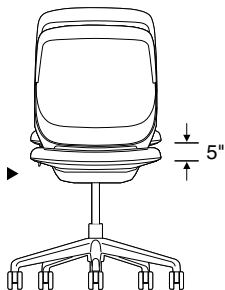


Weight-activated mechanism provides individual support without a tension control by intuitively sensing and supporting the users center of gravity.

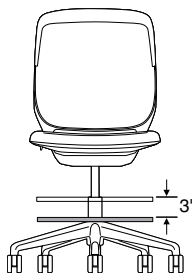
cobi ships standard assembled and uncartoned. A cartoned request on a dealer purchase order forces cobi chairs to ship unassembled with the chair seat, back, and cylinder separated from the base. This allows for shipment in a smaller carton. Assembly by a qualified dealer installer is required. Assembly instructions are included. No additional tools are required for assembly.

Adjustment Features

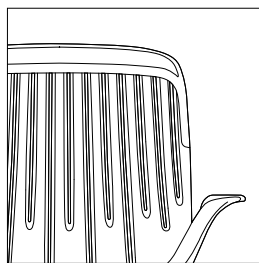
Seat Adjustments



Seat height adjusts pneumatically. To lower, pull lever up while seated. To raise, pull lever up and keep your weight off the chair.

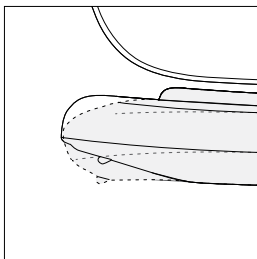


Foot ring height on stools adjusts by first lifting ring and rotating it counter-clockwise to unlock. Then raise or lower ring up to 3" to desired position before rotating it clockwise to lock. The foot ring has a diameter of 20".



Flexing fingers in back promote movement and provide support for a wide range of postures.

Soft roll-control caster option features an internal brake that activates when the chair is not under load to reduce shifting when user stands up.



Flexing seat edge on all 3-sides supports multiple postures while relieving thigh pressure.

Surface Materials

▶ See surface materials on page 678 for specific availability or refer to the *Surface Materials Reference Manual* for further information.

Back Upholstery

- Connect 3D (back only)

Seat Upholstery

- Cogent: Connect (seat only)
- Fabric
- Fabric with soil-retardant treatment (option)
- Leather
- Elmosoft leather
- Select Surfaces leather
- Vinyl
- COM
- COL

All seat upholstery except standard Cogent: Connect requires a sewn application. Specify with an **S** suffix.

Outer Back

- 6009 Arctic White
- 6205 Black
- 6249 Platinum
- 6295 Near Black

Arm Caps, Top Edge, and Casters

- 6205 Black
- 6249 Platinum

Tip: Frame, base, and cylinder will default to match outer back color.

Tip: If black or near black are specified on the outer back, the arm caps, top edge, and casters will be 6205 black. If platinum or arctic white are specified on the outer back, the arm caps, top edge, and casters will be 6249 platinum.

Glides

- Black plastic

Foot ring on stools

- 4799 Platinum Metallic
- 6205 Black

Tip: Foot ring on stool will coordinate to match outer back color. For example, the 4799 Platinum Metallic foot ring coordinates with the 6249 Platinum Solid outer back color scheme and 4799 Platinum Metallic base.

All Steelcase seating with standard upholstery fabrics

complies with requirements of the State of California Technical Bulletin 117-2013. All standard seating is labeled to be in compliance with California 117-2013.

Programs & Services

▶ See the *Surface Materials Reference Manual* for further detail about programs and services offered for seating.

The Customer's Own Material (COM) Program

offers the opportunity for customers to select fabrics that are not offered through the standard Steelcase surface materials program for use on Steelcase products. Through the COM program, Steelcase will test your materials for application on Steelcase products. Once approved, you can place your order. Steelcase will facilitate the entire ordering process and give you a production schedule. Steelcase will order the COM fabric directly from the textile manufacturer. For up-to-date information regarding fabric test results for all COM fabrics and details regarding yardage requirements for most Seating lines, visit the COM website. To locate the COM website:

- Visit www.steelcase.com

Soil retardants are treatments that provide long-term soil and stain resistance to a fabric without affecting the shade or the integrity of the fabric. The following Steelcase Textiles are available pre-treated with soil retardant. (You do not need to select the soil-retardant option for these fabrics and incur the upcharge.)

- Jacks
- Link

For information on soil retardant fabrics on Select Surfaces, please refer to the *Surface Materials Reference Manual*.

Soil-retardant treatment is available on all other seating fabrics at an additional upcharge per seating unit. To order this option, please select "Soil-Retardant Treatment" under "Optional Accessories."

For soil-retardant treatment on COMs, please select "Soil-Retardant Treatment" under "Optional Accessories." Minimums or additional yardage may be required. Please contact the vendor directly for specific information.

Extended lead times may be necessary for this service.

Contact your Steelcase Solutions Fulfillment Team Representative at 1.888.STEELCASE (1.888.783.3522) or send an email to lineone@steelcase.com.

Fire Codes

▶ See page 698 for upholstery fabrics available for use with FCS modification.

Steelcase offers Fire Code Seating modification (FCS) on some seating models.

The most rigorous fire codes in the nation have been developed in California, and the Steelcase FCS modification is designed to meet those codes. Fire Code Seating (FCS) indicates that a product is constructed to meet the strict fire code requirements of high public occupancy areas such as theaters, meeting rooms, and lobbies. The FCS standards will meet the State of California Bureau of Electronic and Appliance Repair, Home Furnishings, and Thermal Insulation Technical Bulletin 133 (Cal TB 133). Boston adopted the California Bureau of Electronic and Appliance Repair, Home Furnishings, and Thermal Insulation Technical Bulletin TB 133 test standard in 1992.

Local codes may have special requirements for upholstery.

Dimensions

▶ Page 310

Resources

Printed Materials

- ▶ *cobi* Brochure (09-0000049)
- ▶ *cobi* User Guide (10-0002706)

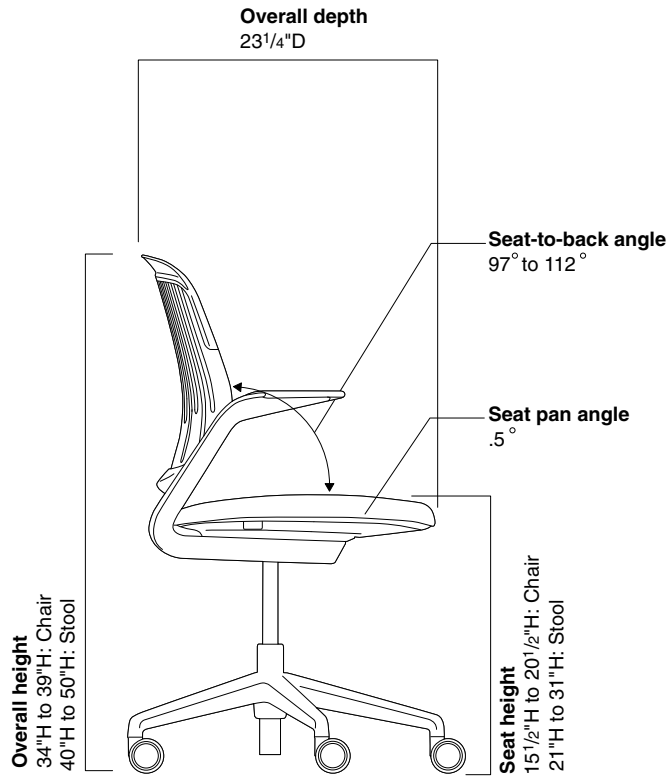
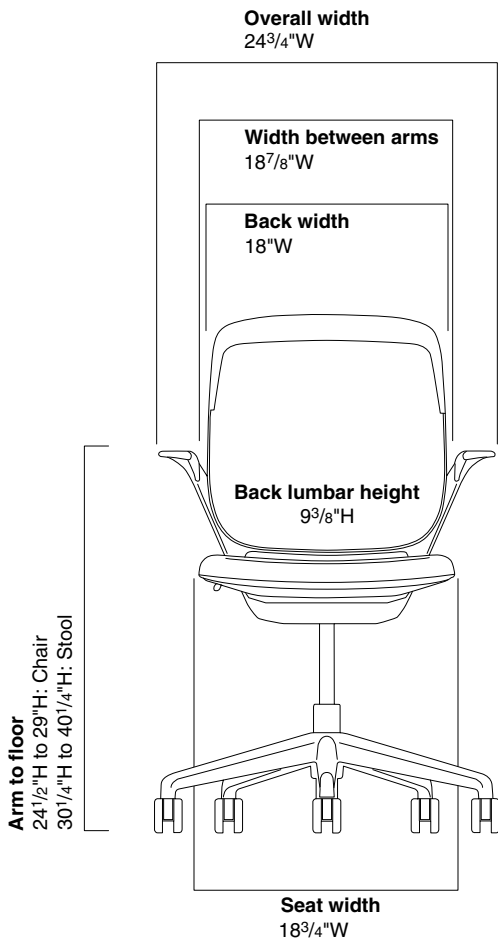
Online Resources

- ▶ Come Together (PDF) available on www.steelcase.com
- ▶ Collaborative Seating Design video available on www.steelcase.com
- ▶ Environmental profiles available on www.steelcase.com/sustainability.

Dimensions

cobi 434 Series

Features	Overall Depth	Width	Height	Seat Depth	Functional Seat Depth	Seat Width	Seat Height from Floor	Ring Height from Floor	Back Width	Back Height from Seat
cobi 434 Series										
Collaborative Chairs										
	23 ¹ / ₄ "	24 ³ / ₄ "	34"-39"	19 ¹ / ₂ "	17 ⁷ / ₈ "	18 ³ / ₄ "	15 ¹ / ₂ "-20 ¹ / ₂ "	N.A.	18"	19 ¹ / ₂ "
Stools										
	23 ¹ / ₄ "	24 ³ / ₄ "	40"-50"	19 ¹ / ₂ "	17 ⁷ / ₈ "	18 ³ / ₄ "	21"-31"	11 ¹ / ₄ "-14 ¹ / ₄ "	18"	19 ¹ / ₂ "



• Back • Lumbar • Height	• Width • Between • Arms	• Arm • to • Floor	• Arm • Height • from • Seat	• Seat • Pan • Angle	• Angle • Between • Seat and • Back
--------------------------------	--------------------------------	--------------------------	---------------------------------------	----------------------------	--

9 ³ / ₈ "	18 ⁷ / ₈ "	24 ¹ / ₄ "–29"	8 ⁷ / ₈ "	.5°	97°–112°
---------------------------------	----------------------------------	--------------------------------------	---------------------------------	-----	----------

9 ³ / ₈ "	18 ⁷ / ₈ "	30 ¹ / ₄ "–40 ¹ / ₄ "	8 ⁷ / ₈ "	.5°	97°–112°
---------------------------------	----------------------------------	---	---------------------------------	-----	----------

:	:	:	:	:	:
---	---	---	---	---	---

cobi 434 Series Collaborative Chairs



Standard Includes	Required to Specify
<p>▶ Need help? Product details, page 308</p> <ul style="list-style-type: none"> • Weight-activated mechanism • 5" pneumatic seat-height adjustment • Fixed arms, if selected: plastic to match outer back • Back upholstery: Connect 3D • Seat upholstery: Cogent: Connect • Frame, outer back, and five-arm base: Black • 2½"-diameter, hard composition, dual-wheel casters: black plastic 	<ol style="list-style-type: none"> 1 Style number 2 Plastic color number for outer back 3 Connect 3D color number for back 4 Cogent: Connect color number for upholstery on seat 5 Options, if selected (see below) <p>▶ See <i>Surface Materials</i>, page 678.</p>

*Tip: All seat upholstery except standard Cogent: Connect requires a sewn application. Specify with an **S** suffix.*

Tip: Always add suffixes in alphabetical order when specifying options to cobi seating.

Tip: Leather and vinyl upcharges are in addition to sewn upholstery upcharge.

Tip: Fire Code Seating (FCS) option is available with certain upholstery fabric choices only.
▶ Page 698

Tip: Arm caps, top edge, and casters default to coordinate and match outer back color.

Options	U.S. Price	Required to Specify
Surface Materials		
Upholstery		
• Fabric price group 1	No cost	Add suffix S to the style number and specify fabric color number.
• Fabric price group 2	No cost	Add suffix S to the style number and specify fabric color number.
• Fabric price group 3	+\$ 28	Add suffix S to the style number and specify fabric color number.
• Fabric price group 4	+\$ 37	Add suffix S to the style number and specify fabric color number.
• Fabric price group 5	+\$ 44	Add suffix S to the style number and specify fabric color number.
• Fabric price group 6	+\$ 54	Add suffix S to the style number and specify fabric color number.
• Fabric price group 7	+\$ 65	Add suffix S to the style number and specify fabric color number.
• Fabric price group 8	+\$ 81	Add suffix S to the style number and specify fabric color number.
• Fabric price group 9	+\$ 99	Add suffix S to the style number and specify fabric color number.
• Fabric price group 10	+\$114	Add suffix S to the style number and specify fabric color number.
• Steelcase leather upholstery	+\$186	Add suffix S to the style number and specify leather color number.
• Select Surfaces leather price group 1	+\$186	Add suffix S to the style number and specify Select Surfaces leather price group 1. ▶ See <i>Surface Materials Reference Manual</i> .
• Elmosoft leather upholstery	+\$215	Add suffix S to the style number and specify Elmosoft leather color number.
• Select Surfaces leather price group 2	+\$215	Add suffix S to the style number and specify Select Surfaces leather price group 2. ▶ See <i>Surface Materials Reference Manual</i> .
• Sewn Upholstery	+\$ 45	Add suffix S to the style number and specify fabric color number.
• Steelcase vinyl	No cost	Add suffix S to the style number and specify vinyl color number.
• Customer's Own Material (COM)	No cost	Add suffix S to the style number and specify fabric color number.
• Customer's Own Leather (COL)	No cost	Add suffix S to the style number and specify leather color number.
Soil-retardant treatment	+\$ 28	Specify <i>with soil-retardant treatment</i> .
Fire Code Seating (FCS)	+\$117	Add suffix F to the style number.
Outer back		
• Arctic white	+\$ 93	Specify <i>with 6009 Arctic White</i> .
• Platinum	+\$ 93	Specify <i>with 6249 Platinum</i> .
• Near black	+\$ 93	Specify <i>with 6295 Near Black</i> .
Casters	+\$ 28	Specify <i>with soft roll-control casters</i> .
Glides	+\$ 28	Specify <i>with glides</i> .

▶ Detailed dimensions, page 310

Specification Information

**Arms with
Soft Arm Caps**



• Style
• Number

• U.S.
• Base
• Price

434111

\$826

Without Arms



• Style
• Number

• U.S.
• Base
• Price

434110

\$762

cobi 434 Series

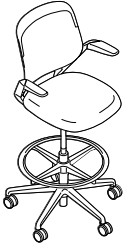


For Canadian Pricing

Multiply U.S. Price by the Canadian price factor.

▶ See page 1 for details.

cobi 434 Series Swivel-Base Stools



Standard Includes	Required to Specify
<p>▶ Need help? Product details, page 308</p> <ul style="list-style-type: none"> • Weight-activated mechanism • 10" pneumatic seat-height adjustment • Fixed arms, if selected: plastic to match outer back • Adjustable foot ring: black • Back upholstery: Connect 3D • Seat upholstery: Cogent: Connect • Frame, outer back, and five-arm base: black • 2½"-diameter, hard composition, dual-wheel casters: black plastic 	<ol style="list-style-type: none"> 1 Style number 2 Plastic color number for outer back 3 Connect 3D color number for back 4 Cogent: Connect color number for upholstery on seat 5 Options, if selected (see below) <p>▶ See <i>Surface Materials</i>, page 678.</p>

Tip: All seat upholstery except standard Cogent: Connect requires a sewn application. Specify with an **S** suffix.

Tip: Always add suffixes in alphabetical order when specifying options to cobi seating.

Tip: Leather and vinyl upcharges are in addition to sewn upholstery upcharge.

Tip: Fire Code Seating (FCS) option is available with certain upholstery fabric choices only. ▶ Page 698

Tip: Arm caps, top edge, and casters default to coordinate and match outer back color.

▶ Detailed dimensions, page 310

Options	U.S. Price	Required to Specify	
Surface Materials			
Upholstery			
• Fabric price group 1	No cost	Add suffix S to the style number and specify fabric color number.	
• Fabric price group 2	No cost	Add suffix S to the style number and specify fabric color number.	
• Fabric price group 3	+\$ 28	Add suffix S to the style number and specify fabric color number.	
• Fabric price group 4	+\$ 37	Add suffix S to the style number and specify fabric color number.	
• Fabric price group 5	+\$ 44	Add suffix S to the style number and specify fabric color number.	
• Fabric price group 6	+\$ 54	Add suffix S to the style number and specify fabric color number.	
• Fabric price group 7	+\$ 65	Add suffix S to the style number and specify fabric color number.	
• Fabric price group 8	+\$ 81	Add suffix S to the style number and specify fabric color number.	
• Fabric price group 9	+\$ 99	Add suffix S to the style number and specify fabric color number.	
• Fabric price group 10	+\$114	Add suffix S to the style number and specify fabric color number.	
• Steelcase leather upholstery	+\$186	Add suffix S to the style number and specify leather color number.	
• Select Surfaces leather price group 1	+\$186	Add suffix S to the style number and specify Select Surfaces leather price group 1.	
		▶ See <i>Surface Materials Reference Manual</i> .	
• Elmosoft leather upholstery	+\$215	Add suffix S to the style number and specify Elmosoft leather color number.	
• Select Surfaces leather price group 2	+\$215	Add suffix S to the style number and specify Select Surfaces leather price group 2.	
		▶ See <i>Surface Materials Reference Manual</i> .	
• Sewn Upholstery	+\$ 45	Add suffix S to the style number and specify fabric color number.	
• Steelcase vinyl	No cost	Add suffix S to the style number and specify vinyl color number.	
• Customer's Own Material/Vinyl (COM)	No cost	Add suffix S to the style number and specify fabric color number.	
• Customer's Own Leather (COL)	No cost	Add suffix S to the style number and specify leather color number.	
Soil-retardant treatment	+\$ 28	Specify <i>with soil-retardant treatment</i> .	
Fire Code Seating (FCS)	+\$117	Add suffix F to the style number.	
Outer back			
• Arctic white	+\$142	Specify <i>with 6009 Arctic White</i> .	
• Platinum	+\$142	Specify <i>with 6249 Platinum</i> .	
• Near black	+\$142	Specify <i>with 6295 Near Black</i> .	
Casters	• Soft, dark grey treaded, dual-wheel roll-control casters for use on hard floors	+\$ 28	Specify <i>with soft roll-control casters</i> .
Glides	• Glides: black plastic	+\$ 28	Specify <i>with glides</i> .

Specification Information

**Arms with
Soft Arm Caps**



• Style
• Number

434711

• U.S.
• Base
• Price

\$1152

Without Arms



• Style
• Number

434710

• U.S.
• Base
• Price

\$1088

cobi 434 Series



For Canadian Pricing

Multiply U.S. Price by the Canadian price factor.

▶ See page 1 for details.

