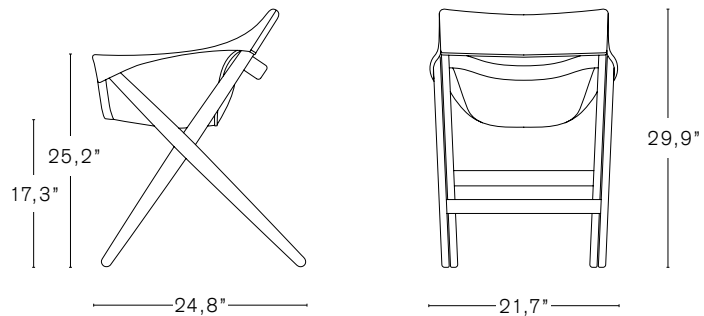


FIONDA SIDE CHAIR

design by JASPER MORRISON



TECHNICAL INFORMATION

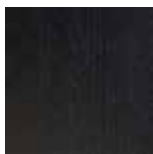
NESTING



MAX. PER BOX	GROSS WEIGHT	VOLUME	BOX SIZE
2 CHAIRS	CA. kg 7,00	0,35 m ³	23,4 × 29,5 × 31,3 in

FINISHINGS

ASH



BLACK

CANVAS



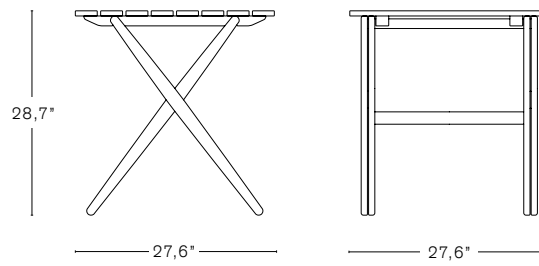
NATURAL



ORANGE

FIONDA TABLE

design by JASPER MORRISON



TECHNICAL INFORMATION

NESTING

MAX. PER BOX
1 TABLE

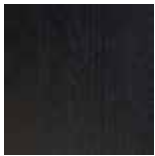
GROSS WEIGHT
CA. kg 10,00

VOLUME
0,47 m³

BOX SIZE
31,1 × 28 × 32,7 in

FINISHINGS

ASH



BLACK