

Understanding and Specifying i2i 416 Series

Collaborative Lounge Chairs and Collaborative Lounge Table

Product Details

i2i 416 Series	538
Dimensions	540

Specifying

Collaborative Lounge Chairs	542
Collaborative Lounge Table	543

Adjustability Features

▶ See page 24 for a comparison to other chairs

**i2i
416 Series**

Mechanisms

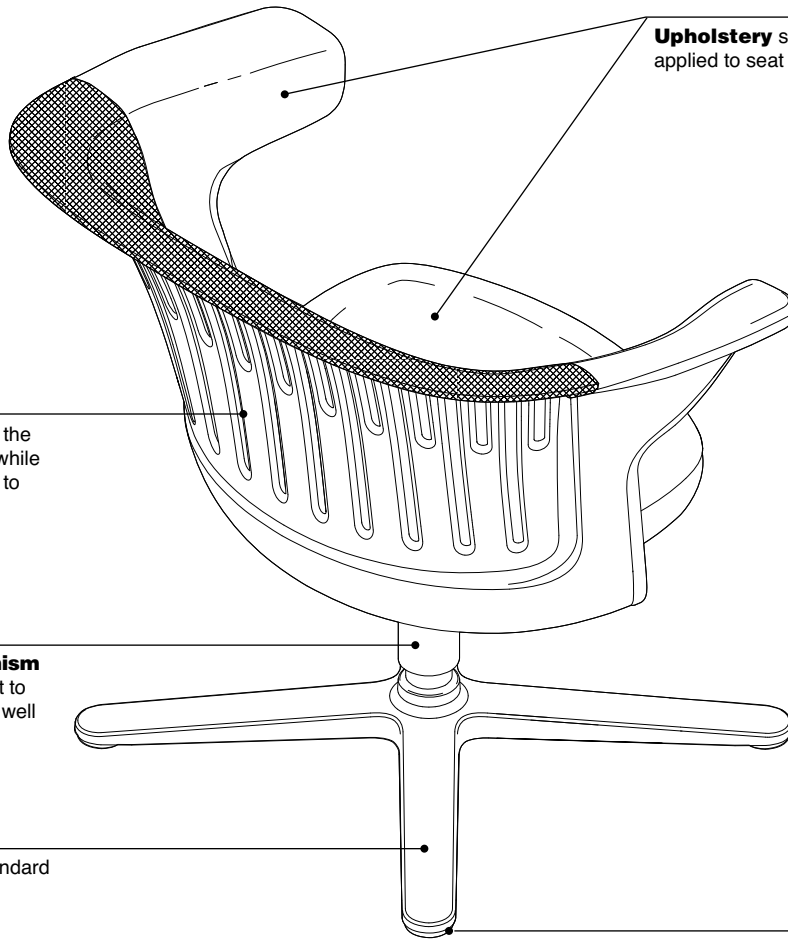
Dual-swivel ●

Back Adjustments

Self adjusting ●

i2i 416 Series

i2i is collaborative lounge seating that helps people move freely, change postures, and stay energized and comfortable.



Upholstery specified is applied to seat and arms.

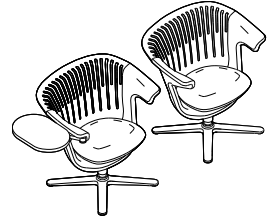
Flexing fingers form the back and offer support while moving and conforming to your body.

Dual-swivel mechanism allows the back and seat to swivel independently as well as together.

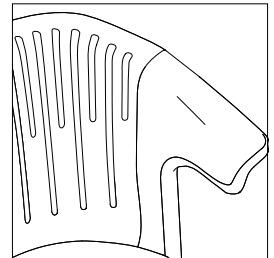
Four-arm base is standard in polished aluminum.

Glides are standard with the static base.

Product Details



Chairs are available with or without tablet arm.



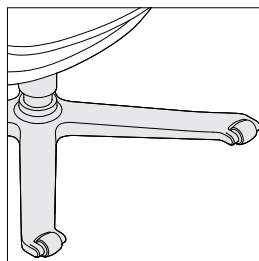
Flexing fingers in the back promote movement and provide support in a variety of postures.

Dual-swivel mechanism allows the back and seat to swivel independently as well as together.

Tablet arm attaches on the right side of the chair with a dual pivot function providing a range of motion that allows the tablet area to accommodate both left and right handed users. It provides a work-surface 12¹/₄"D x 18"W. The tablet ships separately and requires field assembly and installation.

Adjustment Features

Swivel-return cylinder option has a built in memory and will return to the fixed position when the user leaves the chair.



Mobile base includes two rollers on the front arms of the base that allow the chair to be moved easily.

Surface Materials

▶ See surface materials on page 678 for specific availability or refer to the *Surface Materials Reference Manual* for further information.

Back Upholstery

- 3D Knit (back only)

Seat and Arm Upholstery

- Cogent: Connect (seat and arm only)
- Fabric
- Fabric with soil-retardant treatment (option)
- Leather
- Elmosoft leather
- Select Surfaces leather
- Vinyl
- COM
- COL

Cogent: Connect maximizes quality and comfort on i2i. The selected upholstery will be applied to the seat and arms. It is standard with a sewn application.

Frame

- 6009 Arctic White
- 6249 Platinum
- 6295 Near Black

Tablet Arm

- Laminate
- Veneer

The laminate surface is available with a black edge only. The veneer surface has a self edge. The tablet ships separately and requires field assembly and installation.

Glides

- Black plastic

Rollers

- Optional rollers on mobile base are available in dark fusion only.

All Steelcase seating with standard upholstery fabrics complies with requirements of the State of California Technical Bulletin 117-2013. All standard seating is labeled to be in compliance with California 117-2013.

Programs & Services

▶ See the *Surface Materials Reference Manual* for further detail about programs and services offered for seating.

The Customer's Own Material (COM) Program

offers the opportunity for customers to select fabrics that are not offered through the standard Steelcase surface materials program for use on Steelcase products. Through the COM program, Steelcase will test your materials for application on Steelcase products. Once approved, you can place your order. Steelcase will facilitate the entire ordering process and give you a production schedule. Steelcase will order the COM fabric directly from the textile manufacturer. For up-to-date information regarding fabric test results for all COM fabrics and details regarding yardage requirements for most Seating lines, visit the COM website. To locate the COM website:

- Visit www.steelcase.com

Soil retardants are treatments that provide long-term soil and stain resistance to a fabric without affecting the shade or the integrity of the fabric. The following Steelcase Textiles are available pre-treated with soil retardant. (You do not need to select the soil-retardant option for these fabrics and incur the upcharge.)

- Jacks
- Link

For information on soil retardant fabrics on Select Surfaces, please refer to the *Surface Materials Reference Manual*.

Soil-retardant treatment is available on all other seating fabrics at an additional upcharge per seating unit. To order this option, please select "Soil-Retardant Treatment" under "Optional Accessories."

For soil-retardant treatment on COMs, please select "Soil-Retardant Treatment" under "Optional Accessories." Minimums or additional yardage may be required. Please contact the vendor directly for specific information.

Extended lead times may be necessary for this service.

Contact your Steelcase Solutions Fulfillment Team Representative at 1.888.STEELCASE (1.888.783.3522) or send an email to lineone@steelcase.com.

Dimensions

▶ Page 540

Resources

Printed Materials

▶ i2i Brochure (08-0001013)

Online Resources

▶ Come Together (PDF) available on www.steelcase.com

▶ Collaborative Seating video available on www.steelcase.com

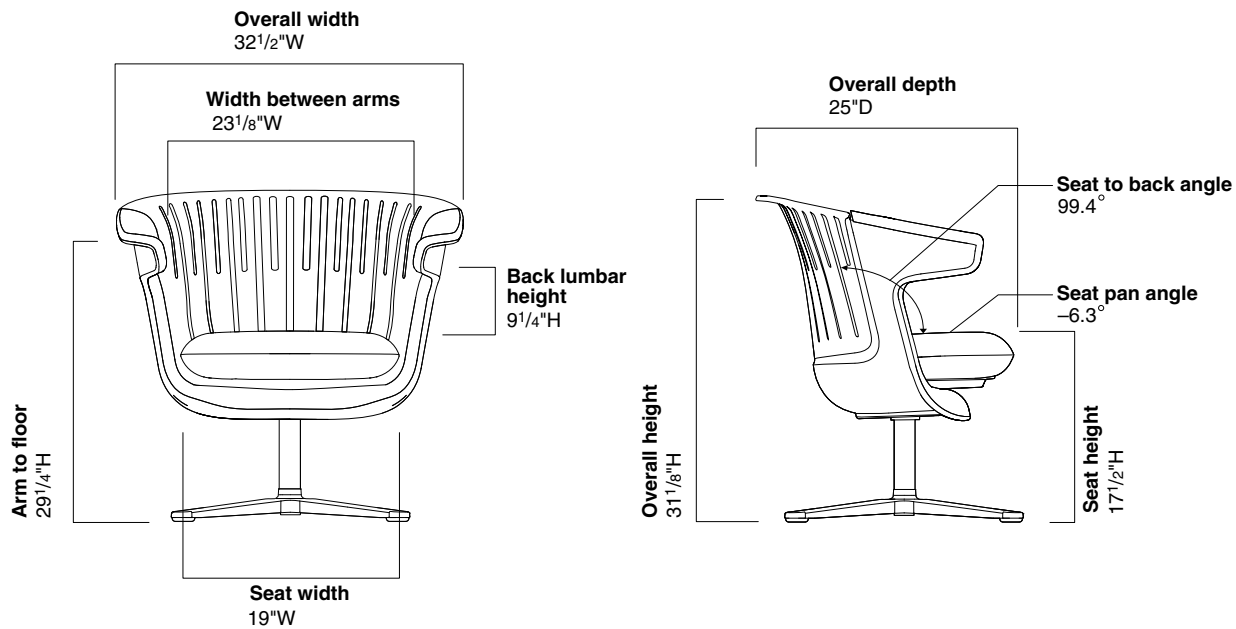
▶ Environmental profiles available on www.steelcase.com/sustainability.

Dimensions

i2i 416 Series

• Features	• Overall Depth	Width	Height	• Seat Depth	• Functional Seat Depth	• Seat Width	• Seat Height from Floor	• Back Height from Seat	• Back Lumbar Height
i2i 416 Series									
Collaborative Lounge Chairs									
	25"	32½"	31⅛"	17½"	17¼"	19"	17½"	17¼"	9¼"

Dimensions were measured with BIFMA CMD (chair-measuring device).



•Width
•Between
•Arms
•Arm
•to
•Floor
•Seat
•Pan
•Angle
•Angle
•Between
•Seat and
•Back

23¹/₈" 29¹/₄" -6.3° 99.4°

⋮ ⋮ ⋮ ⋮

Collaborative Lounge Chairs

i2i 416 Series

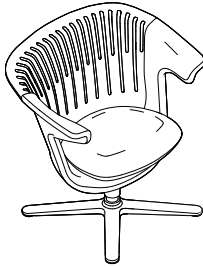
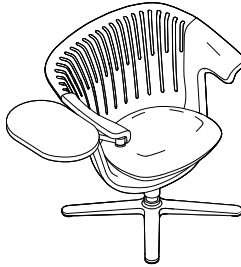
Standard Includes	Required to Specify
<ul style="list-style-type: none"> ▶ Need help? Product details, page 538 • Back: near black • Static base with dual-swivel mechanism: polished aluminum • Back upholstery: 3D Knit • Seat and arms: sewn upholstery • Tablet arm, if selected: laminate • Glides: black plastic 	<ol style="list-style-type: none"> 1 Style number 2 Plastic color number for frame 3 3D Knit color number for back 4 Fabric color number for upholstery on seat and arms 5 Laminate color number for tablet arm, if selected 6 Options, if selected (see below) <p>▶ See <i>Surface Materials</i>, page 678.</p>

Tip: Cogent: Connect maximizes quality and comfort on the seat and arms on i2i.


Options	U.S. Price	Required to Specify
Surface Materials <ul style="list-style-type: none"> • Upholstery • Fabric price group 1 • Fabric price group 2 • Fabric price group 3 • Fabric price group 4 • Fabric price group 5 • Fabric price group 6 • Fabric price group 7 • Fabric price group 8 • Fabric price group 9 • Fabric price group 10 • Steelcase leather upholstery • Select Surfaces leather price group 1 • Elmosoft leather • Select Surfaces leather price group 2 • Steelcase vinyl • Customer's Own Material/Vinyl (COM) • Customer's Own Leather (COL) 	<ul style="list-style-type: none"> No cost No cost +\$ 51 +\$ 72 +\$ 92 +\$113 +\$131 +\$164 +\$202 +\$227 +\$378 +\$378 +\$437 +\$437 No cost +\$ 44 +\$ 44 	<ul style="list-style-type: none"> Specify fabric color number. Specify fabric color number. Specify fabric color number. Specify fabric color number. Specify fabric color number. Specify fabric color number. Specify fabric color number. Specify fabric color number. Specify fabric color number. Specify fabric color number. Specify leather color number. <p>▶ See <i>Surface Materials Reference Manual</i>. Specify Elmosoft leather color number.</p> <p>▶ See <i>Surface Materials Reference Manual</i>. Specify vinyl color number. See <i>Surface Materials Reference Manual</i> to specify.</p> <p>See <i>Surface Materials Reference Manual</i> to specify.</p>
Soil-retardant treatment	<ul style="list-style-type: none"> +\$ 28 	<ul style="list-style-type: none"> Specify with soil-retardant treatment.
Back Shell <ul style="list-style-type: none"> • Arctic White • Platinum 	<ul style="list-style-type: none"> +\$ 95 +\$ 95 	<ul style="list-style-type: none"> Specify with 6009 Arctic White. Specify with 6249 Platinum.
Base <ul style="list-style-type: none"> • Mobile base 	<ul style="list-style-type: none"> +\$ 62 	<ul style="list-style-type: none"> Specify with mobile base.
Cylinder <ul style="list-style-type: none"> • Swivel with return 	<ul style="list-style-type: none"> +\$ 62 	<ul style="list-style-type: none"> Specify with swivel return.
Tablet Arm <ul style="list-style-type: none"> • Wood group 1 	<ul style="list-style-type: none"> +\$251 	<ul style="list-style-type: none"> Specify wood color number.

Tip: For list of wood veneer options available on tablet arm, see page 679.

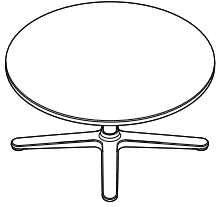
Specification Information

		With tablet arm	
• Style Number	• U.S. Base Price	• Style Number	• U.S. Base Price
 416911	 \$2316	 416911T	 \$2571

▶ Detailed dimensions, page 540

 **For Canadian Pricing**
 Multiply U.S. Price by the Canadian price factor.
 ▶ See page 1 for details.

Collaborative Lounge Table



For laminate price group 2 pricing, please refer to the electronic catalog or SmartTools.

Standard Includes		Required to Specify
<ul style="list-style-type: none"> ▶ Need help? See <i>c:scape Specification Guide</i> for details. 	<ul style="list-style-type: none"> • Table: High-Pressure Laminate price group 1 surface with 3 mm plastic edge profile • Base: polished aluminum 	<ol style="list-style-type: none"> 1 Style number 2 Laminate color number for table 3 Plastic color number for edge on laminate surface 4 Options, if selected (see below) <ul style="list-style-type: none"> ▶ See <i>c:scape Specification Guide</i>.

Surface Materials	Options	U.S. Price	Required to Specify
	High-Pressure Laminate surface		
	<ul style="list-style-type: none"> • High-Pressure Laminate price group 2 • Open Line laminate 	See information at left +\$ 74 plus cost of laminate	Specify laminate color number. ▶ See <i>Surface Materials Reference Manual</i> .
	Wood veneer surface		
	<ul style="list-style-type: none"> • Wood group 1 • Wood group 2 	+\$438 +\$468	Specify wood color number. Specify wood color number. Specify wood color number.
	<ul style="list-style-type: none"> • Wood group 3 	+\$539	Specify <i>with wood veneer</i> and indicate Premium wood 3 color number.
	<ul style="list-style-type: none"> • Customiz stain 	No cost	Specify <i>with Customiz stain</i> .
	<ul style="list-style-type: none"> • Full-fill finish on wood group 1 	+\$ 30	▶ See <i>Surface Materials Reference Manual</i> . Specify full-fill finish number.

Specification Information			
Dimensions		Style Number	U.S. Base Price
Diameter	Height		
32"	16"	CQCT1632	\$1511

Product on this page is *c:scape*, not seating. It is included here to simplify your planning. Remember that systems has different pricing terms than seating products.

For Canadian Pricing
 Multiply U.S. Price by the Canadian price factor.
 ▶ See page 1 for details.

i21 416 Series

