

# Mingle

**Mingle guest chairs**, designed by Bill Schacht and Lynda Chesser, have a tailored appearance that is sophisticated and pure in design, yet simple in scale. Mingle's design addresses a broad set of applications from an open plan systems environment to a closed office setting.

**Exposed maple plywood back panel** provides enhanced lumbar support to achieve a high level of comfort.

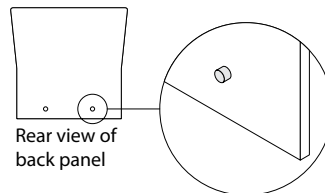
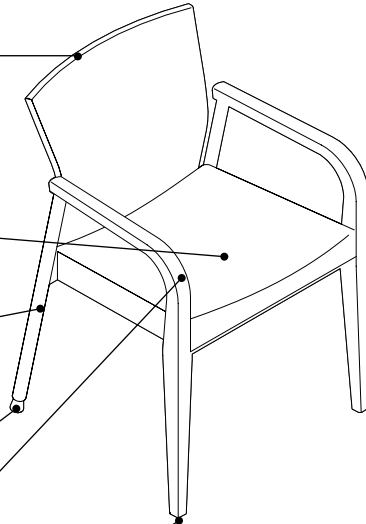
**Upholstered seat** features a webbed-panel construction.

**Back legs and seat frame** are metal for additional strength and durability. Legs are standard in black. Nickel powdercoat is available as an option.

**Foot cap** is standard with nickel finish.

**Arms** taper to flow into front legs.

**Glides** are 1/2" diameter on front legs and 1" diameter on back legs.



Rear view of back panel

**Metal button fasteners** located at bottom of back panel secure seat and back attachment while providing an additional element of design.

## Surface Materials

### Seat

- Fabric
- Fabric with soil-retardant treatment (option)
- Leather
- COM
- COL

### Back legs

- Black
- Nickel (option)

### Back, arms, and front legs

- Maple plywood
- Customiz stain (option)

### Metal button fasteners

- Nickel color only

### Foot caps on back legs

- Nickel color only

### Glides

- Stainless steel on front legs
- Nylon on back legs

### Wood touch-up kits

- Available in specific finishes for field repairs
- ▶ Page 692

### All Steelcase seating with standard upholstery fabrics

complies with requirements of the State of California Technical Bulletin 117. All standard seating is labeled to be in compliance with California 117.

## Actual Dimensions

<b>Overall depth</b>	22 <sup>1</sup> / <sub>8</sub> "
<b>Overall width</b>	22 <sup>1</sup> / <sub>4</sub> "
<b>Overall height</b>	32"
<b>Seat depth</b>	17 <sup>1</sup> / <sub>2</sub> "
<b>Seat width</b>	17 <sup>7</sup> / <sub>8</sub> "
<b>Back width</b>	17 <sup>1</sup> / <sub>4</sub> "
<b>Back height</b>	14"
<b>Width between arms</b>	19"
<b>Seat to floor height</b>	17 <sup>1</sup> / <sub>2</sub> "
<b>Arm height from floor</b>	25 <sup>1</sup> / <sub>2</sub> "

Mingle, continued

**Programs & Services**

▶ See the *Surface Materials Reference Manual* for further detail about programs and services offered for seating.

**The Customer's Own Material (COM & COL) Program**

offers the opportunity for customers to select fabrics and leather that are not offered through the standard Steelcase surface materials program for use on Steelcase products. Avoid pattern fabrics and heavily grained leathers. Through the COM & COL program, Steelcase will test your materials for application on Steelcase products. Once approved, you can place your order. Steelcase will facilitate the entire ordering process and give you a production schedule. Steelcase will order the COM & COL fabric and leather directly from the textile manufacturer. For up-to-date information regarding fabric test results for all COM & COL fabrics and details regarding yardage requirements for most Seating lines, visit the COM website. To locate the COM website:

- Visit [www.steelcase.com](http://www.steelcase.com)

**Soil retardants** are treatments that provide long-term soil and stain resistance to a fabric without affecting the shade or the integrity of the fabric. The following Steelcase Textiles are available pre-treated with soil retardant. (You do not need to select the soil-retardant option for these fabrics and incur the upcharge.)

- Jacks
- Link
- Spyder

For information on soil retardant fabrics on Select Surfaces, please refer to the *Surface Materials Reference Manual*.

Soil-retardant treatment is available on all other seating fabrics at an additional upcharge per seating unit. To order this option, please select "Soil-Retardant Treatment" under "Optional Accessories."

**Resources**

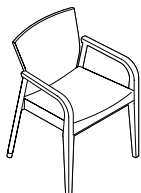
**Mingle Brochure**  
*Form number S10880*

For soil-retardant treatment on COMs, please select "Soil-Retardant Treatment" under "Optional Accessories." Minimums or additional yardage may be required. Please contact the vendor directly for specific information.

Extended lead times may be necessary for this service.

Contact your Steelcase Solutions Fulfillment Team Representative at 1.888.STEELCASE (1.888.783.3522) or send an e-mail to [lineone@steelcase.com](mailto:lineone@steelcase.com).

# Mingle



Standard Includes		Required to Specify
<ul style="list-style-type: none"> <li>▶ Need help? Product details, page 681</li> </ul>	<ul style="list-style-type: none"> <li>• Back, arms, and front legs: maple</li> <li>• Back legs: black</li> <li>• Upholstery: fabric price group 1</li> <li>• Glides: stainless steel on front legs, nylon on back legs</li> </ul>	<ol style="list-style-type: none"> <li>1 Style number</li> <li>2 Wood color number for frame</li> <li>3 Fabric color number for upholstery</li> <li>4 Options, if selected (see below)</li> </ol> <ul style="list-style-type: none"> <li>▶ See <i>Surface Materials</i>, page 690.</li> </ul>

	Options	U.S. Price	Required to Specify
<b>Surface Materials</b>	<b>Upholstery</b>		
	• Fabric price group 1	No cost	Specify fabric color number.
	• Fabric price group 2	+\$ 28	Specify fabric color number.
	• Fabric price group 3	+\$ 57	Specify fabric color number.
	• Fabric price group 4	+\$ 90	Specify fabric color number.
	• Fabric price group 5	+\$111	Specify fabric color number.
	• Fabric price group 6	+\$128	Specify fabric color number.
	• Fabric price group 7	+\$161	Specify fabric color number.
	• Fabric price group 8	+\$206	Specify fabric color number.
	• Fabric price group 9	+\$255	Specify fabric color number.
• Fabric price group 10	+\$335	Specify fabric color number.	
• Leather price group	+\$255	Specify leather color number.	
• Customer's Own Material (COM)	+\$ 16	▶ See <i>Surface Materials Reference Manual</i> .	
• Customer's Own Leather (COL)	+\$ 16	▶ See <i>Surface Materials Reference Manual</i> .	
• Soil-retardant treatment applied to upholstery fabric	+\$ 28	Specify <i>with soil-retardant treatment</i> .	
	<b>Frame</b>		
	• Customiz stain on wood	No cost	Specify <i>with Customiz stain</i> . ▶ See <i>Surface Materials Reference Manual</i> .
	<b>Legs</b>		
	• Nickel	+\$ 32	Specify <i>with 7026 Nickel</i> .

Specification Information	
Style Number	U.S. Base Price
MNGLB	\$1146

 **For Canadian Pricing**  
 Multiply U.S. Price by the Canadian price factor.  
 ▶ See page 1 for details.

