
Understanding and Specifying Snodgrass 474 Series Multi-Use Chairs

Understanding Snodgrass 474 Series

| | |
|----------------------|-----|
| Snodgrass 474 Series | 564 |
| Dimensions | 566 |

Specifying Snodgrass 474 Series

| | |
|------------------|-----|
| Multi-Use Chairs | 568 |
|------------------|-----|

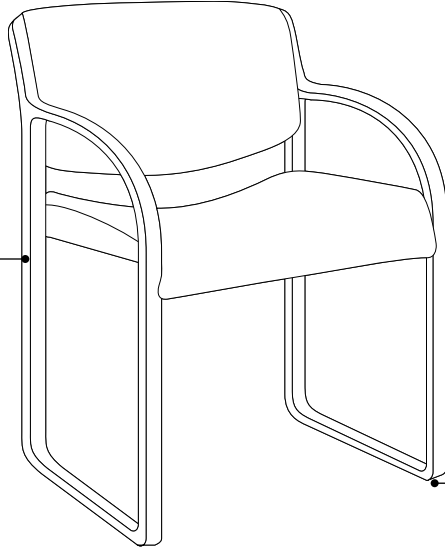
Multi-Use Chairs

Multi-use chairs are suitable for use as occasional seating within team spaces, workstations, offices, or wherever extra seating is required.

- Player 475 Series
- Move 490 Series
- Snodgrass 474 Series

Snodgrass 474 Series

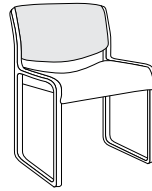
Snodgrass, designed by Warren Snodgrass, offers guest and occasional seating of classic simplicity. With a choice of metal or wood frames, Snodgrass has enduring design that is always in style.



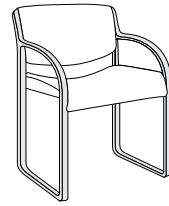
Frame is available in monochromatic colors or wood veneer.

Glides are clear plastic.

Product Details



One back shape is available, open back.



Open arms are available on monochromatic and wood models. Armless chairs are available monochromatic only.

Surface Materials

▶ See surface materials on page 590 for specific availability or refer to the *Surface Materials Reference Manual* for further information.

Upholstery

- Fabric
- Fabric with soil retardant treatment (option)
- Leather
- Elmosoft leather
- Select Surfaces leather
- Vinyl

Frame

- Monochromatic color from list of seating plastic color numbers can be applied to the frame.
- Wood

Tip: Frames are constructed of solid maple. Finishes applied to maple will match the color of stains applied to oak, walnut, or cherry, but will not show the same natural grain.

Glides

- Clear plastic

All Steelcase seating with standard upholstery fabrics

complies with requirements of the State of California Technical Bulletin 117-2013. All standard seating is labeled to be in compliance with California 117-2013.

Programs & Services

▶ See the *Surface Materials Reference Manual* for further detail about programs and services offered for seating.

The Customer's Own Material (COM) Program

offers the opportunity for customers to select fabrics that are not offered through the standard Steelcase surface materials program for use on Steelcase products. Through the COM program, Steelcase will test your materials for application on Steelcase products. Once approved, you can place your order. Steelcase will facilitate the entire ordering process and give you a production schedule. Steelcase will order the COM fabric directly from the textile manufacturer. For up-to-date information regarding fabric test results for all COM fabrics and details regarding yardage requirements for most Seating lines, visit the COM website. To locate the COM website:

- Visit www.steelcase.com

Soil retardants are treatments that provide long-term soil and stain resistance to a fabric without affecting the shade or the integrity of the fabric. The following Steelcase Textiles are available pre-treated with soil retardant. (You do not need to select the soil-retardant option for these fabrics and incur the upcharge.)

- Jacks
- Link
- Spyder

For information on soil retardant fabrics on Select Surfaces, please refer to the *Surface Materials Reference Manual*.

Soil-retardant treatment is available on all other seating fabrics at an additional upcharge per seating unit. To order this option, please select "Soil-Retardant Treatment" under "Optional Accessories."

For soil-retardant treatment on COMs, please select "Soil-Retardant Treatment" under "Optional Accessories." Minimums or additional yardage may be required. Please contact the vendor directly for specific information.

Soil-retardant treatment is available on all other seating fabrics at an additional upcharge per seating unit. To order this option, please select "Soil-Retardant Treatment" under "Optional Accessories."

For soil-retardant treatment on COMs, please select "Soil-Retardant Treatment" under "Optional Accessories." Minimums or additional yardage may be required. Please contact the vendor directly for specific information.

Extended lead times may be necessary for this service.

Contact your Steelcase Solutions Fulfillment Team Representative at 1.888.STEELCASE (1.888.783.3522) or send an email to lineone@steelcase.com.

Dimensions

▶ Page 566

Resources

Printed Materials

- ▶ Snodgrass Brochure (11-0002246)
- ▶ Wood Solutions Overview Brochure (09-0000206)

Online Resources

- ▶ Environmental profiles available on www.steelcase.com/sustainability.

Dimensions

Snodgrass 474 Series

| • Features | • Overall Depth | Width | Height | • Seat Depth | • Functional Seat Depth | • Seat Width | • Seat Height from Floor | • Back Width | • Back Height from Seat |
|------------|-----------------|-------|--------|--------------|-------------------------|--------------|--------------------------|--------------|-------------------------|
|------------|-----------------|-------|--------|--------------|-------------------------|--------------|--------------------------|--------------|-------------------------|

Snodgrass 474 Series

Chair with Open Loop Arms

| | | | | | | | | | |
|--|------|------|------|-----|------|-----|------|-----|------|
| | 23½" | 22¾" | 31½" | 21" | 17½" | 20" | 18¼" | 20" | 14¼" |
|--|------|------|------|-----|------|-----|------|-----|------|

Chair without Arms

| | | | | | | | | | |
|--|------|------|------|-----|------|-----|------|-----|------|
| | 23½" | 22¾" | 31½" | 21" | 17½" | 20" | 18¼" | 20" | 14¼" |
|--|------|------|------|-----|------|-----|------|-----|------|

⋮ ⋮ ⋮ ⋮ ⋮ ⋮ ⋮ ⋮ ⋮ ⋮

| • Back Lumbar Height | • Width Between Arms | • Arm to Floor | • Arm Height from Seat | • Seat Pan Angle | • Angle Between Seat and Back |
|----------------------|----------------------|----------------|------------------------|------------------|-------------------------------|
|----------------------|----------------------|----------------|------------------------|------------------|-------------------------------|

Chair with Open Loop Arms

| | | | | | |
|----|-----|------|----|----|------|
| 7" | 20" | 25¼" | 7" | 5° | 103° |
|----|-----|------|----|----|------|

Chair without Arms

| | | | | | |
|----|-----|------|----|----|------|
| 7" | 20" | 25¼" | 7" | 5° | 103° |
|----|-----|------|----|----|------|

| | | | | | |
|---|---|---|---|---|---|
| : | : | : | : | : | : |
|---|---|---|---|---|---|

Snodgrass 474 Series Multi-Use Chairs



| Standard Includes | Required to Specify |
|---|--|
| <ul style="list-style-type: none"> ▶ Need help? Product details, page 564 • Frame and arms, if selected: monochromatic color, or wood group 1 veneer • Upholstery: fabric price group 1 • Glides: clear plastic | <ol style="list-style-type: none"> 1 Style number 2 Fabric color number for upholstery 3 Monochromatic color number from seating plastic colors for frame, if applicable 4 Wood veneer color number for frame, if applicable 5 Options, if selected (see below) <ul style="list-style-type: none"> ▶ See <i>Surface Materials</i>, page 590. |

| Options | U.S. Price | Required to Specify |
|---|---|---|
| <p>Surface Materials</p> <p>Upholstery on seat and back</p> <ul style="list-style-type: none"> • Fabric price group 1 • Fabric price group 2 • Fabric price group 3 • Fabric price group 4 • Fabric price group 5 • Fabric price group 6 • Fabric price group 7 • Fabric price group 8 • Fabric price group 9 • Fabric price group 10 • Leather price group • Select Surfaces leather price group 1 • Elmosoft leather upholstery • Select Surfaces leather price group 2 • Customer's Own Material (COM) or Customer's Own Leather (COL) • Soil-retardant treatment applied to upholstery fabric | <ul style="list-style-type: none"> No cost +\$ 28 +\$ 50 +\$ 71 +\$ 90 +\$111 +\$128 +\$161 +\$198 +\$223 +\$575 +\$575 +\$665 +\$665 +\$ 39 +\$ 28 | <ul style="list-style-type: none"> Specify fabric color number. Specify fabric color number. Specify fabric color number. Specify fabric color number. Specify fabric color number. Specify fabric color number. Specify fabric color number. Specify fabric color number. Specify fabric color number. Specify fabric color number. Specify leather color number. ▶ See <i>Surface Materials Reference Manual</i>. Specify Elmosoft leather color number. ▶ See <i>Surface Materials Reference Manual</i>. ▶ See <i>Surface Materials Reference Manual</i>. <p>Specify <i>with soil-retardant treatment</i>.</p> |
| <p>Contrasting upholstery on seat and back</p> <ul style="list-style-type: none"> • Contrasting fabrics | <ul style="list-style-type: none"> +\$ 34 | <ul style="list-style-type: none"> Add suffix K to the style number and specify fabric color numbers. |
| <p>Contrasting upholstery on seat</p> <ul style="list-style-type: none"> • Fabric price group 1 • Fabric price group 2 • Fabric price group 3 • Fabric price group 4 • Fabric price group 5 • Fabric price group 6 • Fabric price group 7 • Fabric price group 8 • Fabric price group 9 • Fabric price group 10 • Steelcase leather upholstery • Select Surfaces leather price group 1 • Elmosoft leather upholstery • Select Surfaces leather price group 2 • Customer's Own Material (COM) • Customer's Own Leather (COL) | <ul style="list-style-type: none"> No cost +\$ 14 +\$ 25 +\$ 35 +\$ 45 +\$ 55 +\$ 64 +\$ 80 +\$ 99 +\$111 +\$287 +\$287 +\$332 +\$332 +\$ 19 +\$ 19 | <ul style="list-style-type: none"> Specify fabric color number. Specify fabric color number. Specify fabric color number. Specify fabric color number. Specify fabric color number. Specify fabric color number. Specify fabric color number. Specify fabric color number. Specify fabric color number. Specify fabric color number. Specify leather color number. ▶ See <i>Surface Materials Reference Manual</i>. Specify Elmosoft leather color number. ▶ See <i>Surface Materials Reference Manual</i>. ▶ See <i>Surface Materials Reference Manual</i>. ▶ See <i>Surface Materials Reference Manual</i>. |

▶ Options, continued on next page

▶ Detailed dimensions, page 566



For Canadian Pricing

Multiply U.S. Price by the Canadian price factor.

▶ See page 1 for details.

► Options, continued from previous page

| Options | U.S. Price | Required to Specify |
|---|------------|---|
| Surface Materials, continued | | |
| Contrasting upholstery on back | | |
| • Fabric price group 1 | No cost | Specify fabric color number. |
| • Fabric price group 2 | +\$ 14 | Specify fabric color number. |
| • Fabric price group 3 | +\$ 25 | Specify fabric color number. |
| • Fabric price group 4 | +\$ 36 | Specify fabric color number. |
| • Fabric price group 5 | +\$ 45 | Specify fabric color number. |
| • Fabric price group 6 | +\$ 56 | Specify fabric color number. |
| • Fabric price group 7 | +\$ 64 | Specify fabric color number. |
| • Fabric price group 8 | +\$ 81 | Specify fabric color number. |
| • Fabric price group 9 | +\$ 99 | Specify fabric color number. |
| • Fabric price group 10 | +\$112 | Specify fabric color number. |
| • Steelcase leather upholstery | +\$288 | Specify leather color number. |
| • Select Surfaces leather price group 1 | +\$288 | ► See <i>Surface Materials Reference Manual</i> . |
| • Elmosoft leather upholstery | +\$333 | Specify Elmosoft leather color number. |
| • Select Surfaces leather price group 2 | +\$333 | ► See <i>Surface Materials Reference Manual</i> . |
| • Customer's Own Material (COM) | +\$ 20 | ► See <i>Surface Materials Reference Manual</i> . |
| • Customer's Own Leather (COL) | +\$ 20 | ► See <i>Surface Materials Reference Manual</i> . |
| • Soil-retardant treatment | +\$ 28 | Specify with soil-retardant treatment. |
| Frame | | |
| • Customiz stain on wood | No cost | Specify with Customiz stain. |
| | | ► See <i>Surface Materials Reference Manual</i> . |

Specification Information

Open Loop Arms with Open Back



• Style Number

• U.S. Base Price

Armless with Open Back



• Style Number

• U.S. Base Price

Monochromatic

474419M \$ 945

474410M \$899

Wood

474419W \$1258



For Canadian Pricing

Multiply U.S. Price by the Canadian price factor.

► See page 1 for details.

