
Collaborative Seating

SILQ 418 Series	261
QiVi 428 Series	275
cobi 434 Series	287
Node 480 Series	297

Understanding and Specifying SILQ 418 Series

Product Details

SILQ 418 Series	262
SILQ Upholstery	266
Dimensions	268

Specifying

Collaborative Chair	270
Collaborative Stool	272

Collaborative chairs

Collaborative seating promotes comfort for long periods of time and promotes movement, offers automatic and intuitive adjustments, and supports multiple postures.

- SILQ 418 Series
- QiVi 428 Series
- cobI 434 Series
- Node 480 Series

Adjustability Features

▶ See page 24 for a comparison to other chairs

SILQ 418 Series

Mechanisms

360°-swivel	●
-------------	---

Seat Adjustments

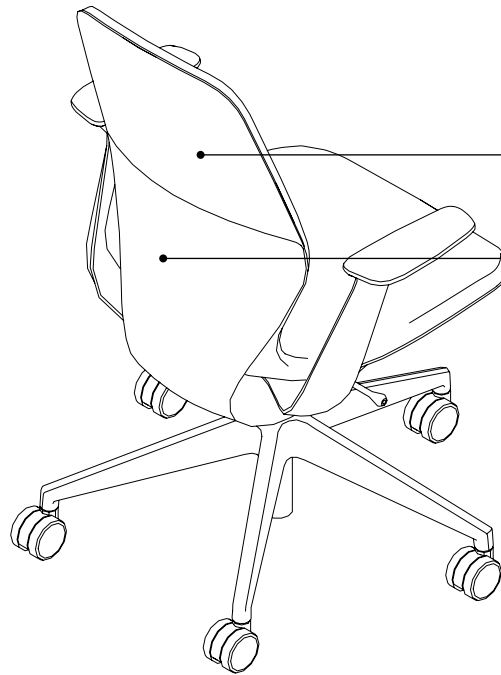
Pneumatic height	●
------------------	---

Other Features

Foot ring height (stool)	●
--------------------------	---

SILQ 418 Series

SILQ is a breakthrough in seating design that combines innovation, artistry, and performance to create a personal experience by responding to the unique movements of your body.



Upper back shell is molded plastic.

Lower shell is painted plastic.

Fabric is applied in the warp vertical direction.

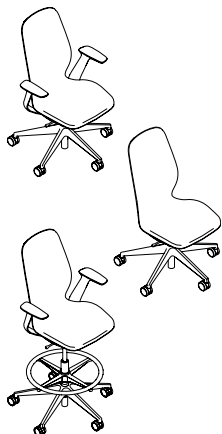
Fixed arms are painted plastic. Arm caps are molded plastic. An armless option is available. Polished aluminum is available as an option.

Seat height adjusts $4\frac{5}{8}$ " from $16\frac{1}{4}$ "H to $20\frac{7}{8}$ "H with a pneumatic adjustment mechanism.

Casters have hard, dual-wheels that roll smoothly on carpets. They are $2\frac{1}{2}$ " for increased mobility. Soft, dual-wheel, roll control casters are an option available for use on hard floors or chair mats. Hard glides, hard hubless casters, and soft hubless casters are also available as an option.
Tip: Do not roll the chair across asphalt during installation as this may damage the casters.

Five-arm base is plastic.

Product Details

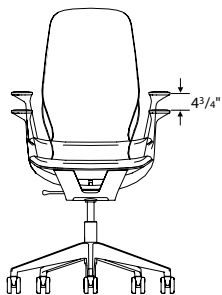


Five-arm base chairs and stools are available with and without arms. Five-arm bases are also available with casters or glides.

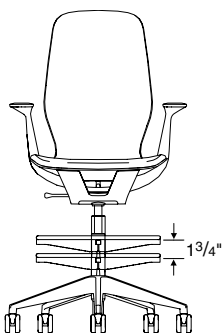
Adjustment Features

Adjustability instructions are included with every chair. Instructions can also be found at www.steelcase.com.

Seat Adjustments

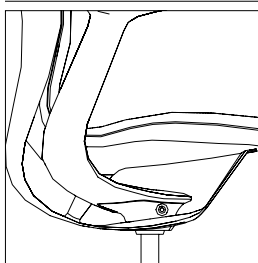


Seat height adjusts pneumatically. To lower, pull lever up while seated. To raise, pull lever up and keep your weight off the chair.



Foot ring height on stools adjusts by first lifting ring and rotating it counter-clockwise to unlock. Then raise or lower ring up to 1 3/4" to desired position before rotating it clockwise to lock. The foot ring has a diameter of 20".

Back Adjustments



Weight activated compliant system responds to the natural movements of the user's body.

Other features

Hard and soft, hubless roll control wheel casters and hard glides are available as options on the five-arm base.

Cartoned request on dealer purchase order forces SILQ chairs to ship knocked down in three pieces; the seat and back, the base, and the pneumatic cylinder. This request forces SILQ stools to ship knocked down in four pieces; the seat and back, the base, the pneumatic cylinder, and the foot ring. Assembly by a qualified dealer installer is required. Assembly instructions are included.

Surface Materials

▶ See surface materials on page 590 for specific availability or refer to the *Surface Materials Reference Manual* for further information.

Upholstery

- Fabric
- Fabric with soil-retardant treatment (option)

▶ See SILQ Resources on Village for list of approved fabrics (<https://village.steelcase.com/docs/DOC-49519>)

Tip: Fabric on the SILQ 418 Series will only be applied in the warp vertical/down roll direction.

This includes all standard Steelcase fabrics, Select Surfaces, and COMs.

▶ See *Fabric Application Direction Guidelines*, page 597.

Hard Components

Upper Shell

- 6053 Seagull
- 6249 Platinum Solid
- 6527 Merle

Lower Shell

- 4140 Arctic White Gloss
- 4144 Gloss Black
- 7245 Carbon Metallic
- 7360 Merle

Arms

- 7243 Seagull
- 7250 Sterling Dark
- 7360 Merle
- 8406 Polished Aluminum
- 4B20 Obsidian
- 4B22 Matte Brass
- 4B23 Burnished Bronze
- 4B24 Night Bronze
- 4B25 Matte Copper

Base

- 4140 Arctic White Gloss
- 6205 Black
- 7243 Seagull
- 7360 Merle
- 8406 Polished Aluminum
- 4B20 Obsidian
- 4B22 Matte Brass
- 4B23 Burnished Bronze
- 4B24 Night Bronze
- 4B25 Matte Copper

Tip: See next page for Color Scheme Matrix.

All Steelcase seating with standard upholstery fabrics complies with requirements of the State of California Technical Bulletin 117-2013. All standard seating is labeled to be in compliance with California 117-2013.

Programs & Services

▶ See the *Surface Materials Reference Manual* for further detail about programs and services offered for seating.

The Customer's Own Material (COM) Program

offers the opportunity for customers to select fabrics that are not offered through the standard Steelcase surface materials program for use on Steelcase products. Through the COM program, Steelcase will test your materials for application on Steelcase products. Once approved, you can place your order. Steelcase will facilitate the entire ordering process and give you a production schedule. Steelcase will order the COM fabric directly from the textile manufacturer. For up-to-date information regarding fabric test results for all COM fabrics and details regarding yardage requirements for most Seating lines, visit the COM website. To locate the COM website:

- Visit www.steelcase.com

Soil retardants are treatments that provide long-term soil and stain resistance to a fabric without affecting the shade or the integrity of the fabric. The following Steelcase Textiles are available pre-treated with soil retardant. (You do not need to select the soil-retardant option for these fabrics and incur the upcharge.)

- Jacks
- Link
- Spyder

For information on soil retardant fabrics on Select Surfaces, please refer to the *Surface Materials Reference Manual*.

Soil-retardant treatment is available on all other seating fabrics at an additional upcharge per seating unit. To order this option, please select "Soil-Retardant Treatment" under "Optional Accessories."

For soil-retardant treatment on COMs, please select "Soil-Retardant Treatment" under "Optional Accessories." Minimums or additional yardage may be required. Please contact the vendor directly for specific information.

Extended lead times may be necessary for this service.

Contact your Steelcase Solutions Fulfillment Team Representative at 1.888.STEELCASE (1.888.783.3522) or send an email to lineone@steelcase.com.

Fire Codes

▶ See page 604 for upholstery fabrics available for use with FCS modification.

Steelcase offers Fire Code Seating modification (FCS) on some seating models. The most rigorous fire codes in the nation have been developed in California, and the Steelcase FCS modification is designed to meet those codes. Fire Code Seating (FCS) indicates that a product is constructed to meet the strict fire code requirements of high public occupancy areas such as theaters, meeting rooms, and lobbies. The FCS standards will meet the State of California Bureau of Electronic and Appliance Repair, Home Furnishings, and Thermal Insulation Technical Bulletin 133 (Cal TB 133). Boston adopted the California Bureau of Electronic and Appliance Repair, Home Furnishings, and Thermal Insulation Technical Bulletin TB 133 test standard in 1992.

Local codes may have special requirements for upholstery.

Color Scheme Matrix

Color Scheme	Upper Back Shell	Lower Back Shell	Arms	Base
Platinum/Merle	Molded Plastic– Platinum Solid 6249	Painted–Textured Merle 7360	Painted–Textured Sterling Dark Solid 7250	Molded Plastic– Black 6205
Seagull/Merle	Molded Plastic– Seagull 6053	Painted–Textured Merle 7360	Painted–Textured Sterling Dark Solid 7250	Painted–Textured Merle 7360
Seagull/Carbon Metallic	Molded Plastic– Seagull 6053	Painted–Textured Carbon Metallic 7245	Painted–Textured Seagull 7243	Painted–Textured Seagull 7243
Merle/Merle	Molded Plastic– Merle 6527	Painted–Textured Merle 7360	Painted–Textured Sterling Dark Solid 7250	Painted–Textured Merle 7360
Merle/Gloss Black	Molded Plastic– Merle 6527	Painted–Gloss Black 4144	Painted–Textured Sterling Dark Solid 7250	Molded Plastic– Black 6205
Seagull/Arctic White Gloss	Molded Plastic– Seagull 6053	Painted–Arctic White Gloss 4140	Painted–Textured Seagull 7243	Painted–Arctic White Gloss 4140

Tip: Polished aluminum and Lux Coatings are available as options on arms and base.

Tip: The polished aluminum arm can be specified with the standard base color.

Tip: The polished aluminum base can be specified with the standard arm color.

Tip: A polished aluminum arm cannot be combined with a Lux Coatings base.

Tip: If a Lux Coatings finish is selected on the arm, the same Lux Coatings finish must be selected on the base.

Foot Ring (Stools)	Arm Caps	Casters
Plastic-Black 6205	Black 6205	Black 6205
Plastic-Black 6205	Black 6205	Black 6205
Painted-Sterling Dark Solid 7250	Sterling Dark Solid 6059	Sterling Dark Solid 6059
Plastic-Black 6205	Plastic-Black 6205	Plastic-Black 6205
Plastic-Black 6205	Black 6205	Black 6205
Painted-Sterling Dark Solid 7250	Sterling Dark Solid 6059	Sterling Dark Solid 6059

SILQ Upholstery

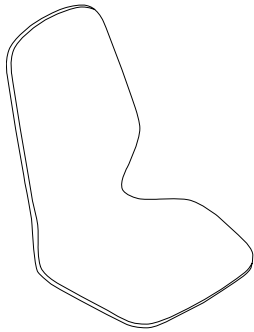
What Is It?

Fabric, leather, or vinyl-covered back and seat.

Tip: Fabrics on SILQ 418 Series will only be applied in the warp vertical/down roll direction. This fabric application is the opposite direction of the rest of the Steelcase seating portfolio.

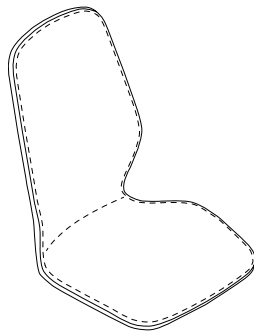
Standard upholstery design

Cogent: Connect



Sewn upholstery design

Vinyl and All Other Fabrics

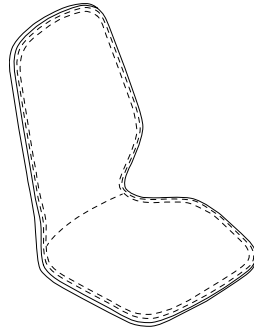


Stitched seams are included across the waist of the chair and along the edges of the chair.

- Vinyl
- Upholstery
- Select Customer's Own Material/Vinyl (COM)

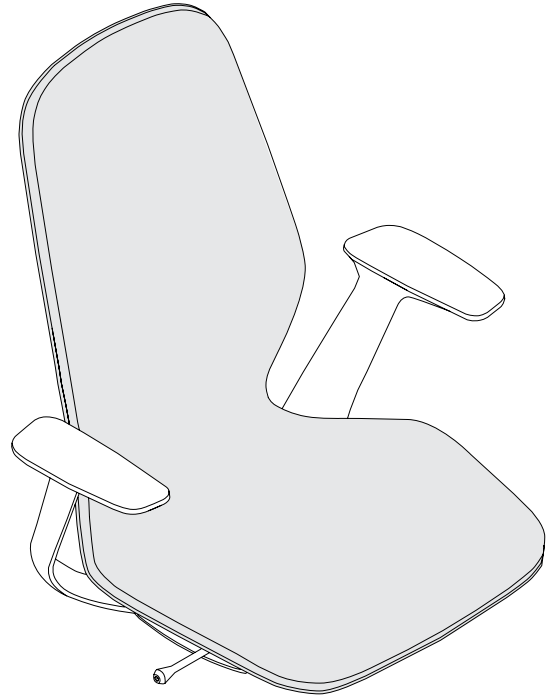
Leather upholstery design

Leather



Stitched seams on leather include a single seam across the waist of the chair and a double seam along the edges of the chair.

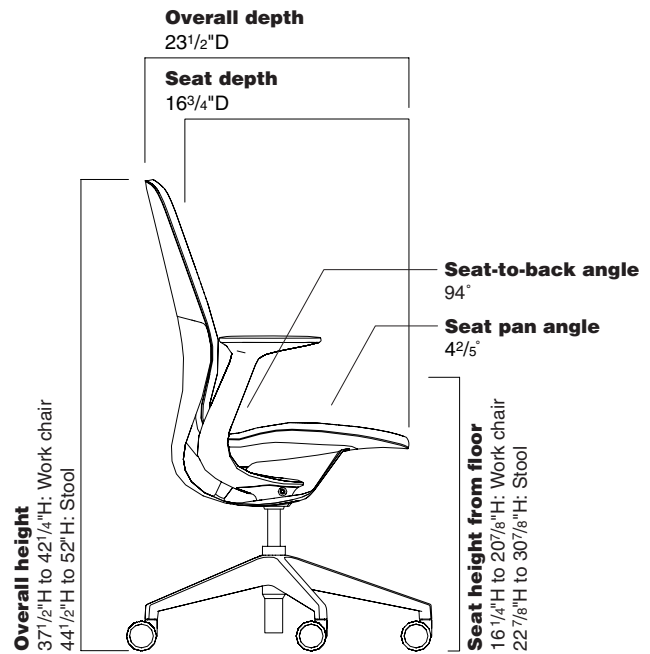
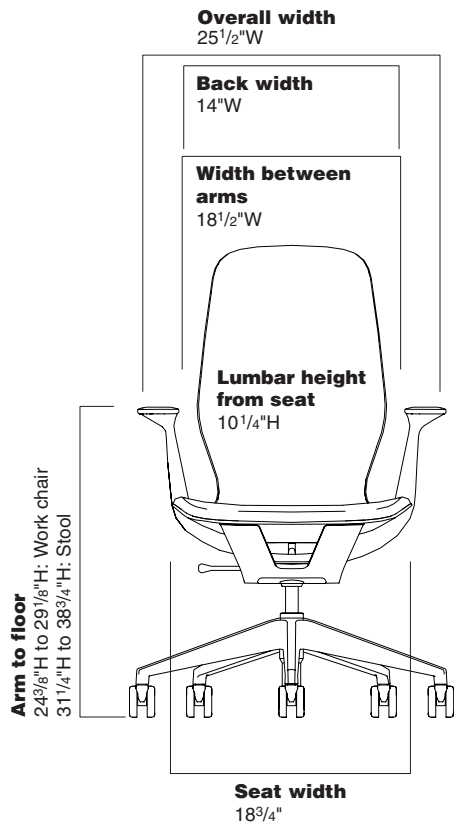
- Leather
- Select Customer's Own Leather (COL)



Dimensions

SILQ 418 Series

Features	Overall Depth	Width	Height	Seat Depth	Functional Seat Depth	Seat Width	Seat Height from Floor	Ring Height from Floor	Back Width	Back Height from Seat
SILQ 418 Series										
Collaborative Chairs										
	23½"	25½"	37½"-42¼"	16¾"	16¾"	18¾"	16¼"-20⅞"	N.A.	14"	23⅞"
Stools										
	23½"	25½"	44½"-52"	16¾"	16¾"	18¾"	22⅞"-30⅞"	11¼"-13"	14"	23⅞"



• Back Lumbar Height	• Width Between Arms	• Arm to Floor	• Arm Height from Seat	• Seat Pan Angle	• Angle Between Seat and Back
----------------------	----------------------	----------------	------------------------	------------------	-------------------------------

Collaborative Chairs

10 ¹ / ₄ "	18 ¹ / ₂ "	24 ³ / ₈ "–29 ¹ / ₈ "	9 ¹ / ₄ "	4 ² / ₅ °	94°
----------------------------------	----------------------------------	---	---------------------------------	---------------------------------	-----

Stools

10 ¹ / ₄ "	18 ¹ / ₂ "	31 ¹ / ₄ "–38 ³ / ₄ "	9 ¹ / ₄ "	4 ² / ₅ °	94°
----------------------------------	----------------------------------	---	---------------------------------	---------------------------------	-----

:	:	:	:	:	:
---	---	---	---	---	---

SILQ 418 Series Collaborative Chair



Standard Includes	Required to Specify
-------------------	---------------------

- | | | |
|--|--|--|
| <ul style="list-style-type: none"> ▶ Need help? Product details, page 262 | <ul style="list-style-type: none"> • 4⁵/₈" pneumatic seat-height adjustment (16¹/₄" – 20⁷/₈") • Fixed arms: textured paint • Upper back shell and arm caps: plastic • Lower back shell: textured paint • Five-arm base: plastic • Standard upholstery design on seat: fabric price group 1 • 2¹/₂"-diameter, hard-composition, dual-wheel casters: black | <ol style="list-style-type: none"> 1 Style number 2 Fabric color number for upholstery on seat 3 Plastic color number for upper back shell and arm caps 4 Paint color number for lower back shell 5 Paint color number for arms 6 Plastic color number for base 7 Options, if selected (see below) <p>▶ See <i>Surface Materials</i>, page 590.</p> |
|--|--|--|

Tip: Fabric on the SILQ 418 Series will only be applied in the warp vertical/down roll direction. This includes all standard Steelcase fabrics, Select Surfaces, and COMs. ▶ See Fabric Application Direction Guidelines, page 597.

Tip: Leather and vinyl upcharges are in addition to sewn upholstery upcharge.

Options	U.S. Price	Required to Specify
---------	------------	---------------------

Surface Materials	Upholstery on seat		
	<ul style="list-style-type: none"> • Fabric price group 1 • Fabric price group 2 • Fabric price group 3 • Fabric price group 4 • Fabric price group 5 • Fabric price group 6 • Fabric price group 7 • Fabric price group 8 • Fabric price group 9 • Fabric price group 10 • Sewn upholstery 	No cost	Specify fabric color number.
		+\$ 28	Specify fabric color number.
		+\$ 50	Specify fabric color number.
		+\$ 71	Specify fabric color number.
		+\$ 90	Specify fabric color number.
		+\$111	Specify fabric color number.
		+\$128	Specify fabric color number.
		+\$161	Specify fabric color number.
		+\$198	Specify fabric color number.
		+\$223	Specify fabric color number.
		+\$105	Specify fabric color number.
	• Steelcase leather upholstery	+\$265	Add suffix S to the style number and specify fabric color number.
	• Select Surfaces leather price group 1	+\$265	Add suffix S to the style number and specify leather color number.
			Add suffix S to the style number and specify leather color number.
			▶ See <i>Surface Materials Reference Manual</i> .
	• Elmosoft leather	+\$320	Add suffix S to the style number and specify Elmosoft leather color number.
	• Select Surfaces leather price group 2	+\$320	Add suffix S to the style number and specify leather color number.
			▶ See <i>Surface Materials Reference Manual</i> .
	• Steelcase vinyl	No cost	Add suffix S to the style number and specify vinyl color number.
	• Customer's Own Material (COM)	No cost	▶ See <i>Surface Materials Reference Manual</i> .
	• Customer's Own Leather (COL)	No cost	Add suffix S to style number and specify leather color number.
			▶ See <i>Surface Materials Reference Manual</i> .
	• Soil-retardant treatment applied to upholstery fabric	+\$ 28	Specify <i>with soil-retardant treatment</i> .
Stitch	<ul style="list-style-type: none"> • Light • Dark 	No cost No cost	Specify light stitch. Specify dark stitch.
Upper Back Shell	<ul style="list-style-type: none"> • 6053 Seagull • 6249 Platinum Solid • 6527 Merle 	No cost No cost No cost	Specify <i>with 6053 Seagull</i> . Specify <i>with 6249 Platinum Solid</i> . Specify <i>with 6527 Merle</i> .
Lower Back Shell	<ul style="list-style-type: none"> • 4140 Arctic White Gloss • 4144 Black Gloss • 7245 Carbon Metallic • 7360 Merle 	+\$313 +\$313 No cost No cost	Specify <i>with 4140 Arctic White Gloss</i> . Specify <i>with 4144 Black Gloss</i> . Specify <i>with 7245 Carbon Metallic</i> . Specify <i>with 7360 Merle</i> .
Arms	<ul style="list-style-type: none"> • Armless • Lux Coatings • Polished aluminum 	-\$ 64 +\$ 66 +\$ 94	Specify <i>without arms</i> . Specify Lux Coatings color number. Specify <i>with polished aluminum</i> .

▶ Options, continued on next page

Tip: Stitch selection will be defaulted on standard leathers.

Tip: Lower back shell and other component finishes have limited selections based on the upper back shell finish selection. ▶ See color scheme matrix, page 264.

Tip: Armless models cannot be modified to have arms after purchase. Conversely, chairs ordered with arms cannot be removed in the field after purchase.

► Options, continued from previous page

Options	U.S. Price	Required to Specify
Base		
• Lux Coatings	+\$104	Specify Lux Coatings color number.
• Polished aluminum	+\$131	Specify <i>with polished aluminum</i> .
Casters		
• Soft, dark grey treaded, dual-wheel roll-control casters for use on hard floors	+\$ 28	Specify <i>with soft casters</i> .
• Hard, hubless casters	+\$105	Specify <i>with hard, hubless casters</i> .
• Soft, hubless casters	+\$133	Specify <i>with soft, hubless casters</i> .
Glides		
• Glides	+\$ 28	Specify <i>with glides</i> .

Specification Information

Style Number	U.S. Base Price
418A000	\$1038



SILQ 418 Series

► Detailed dimensions, page 268

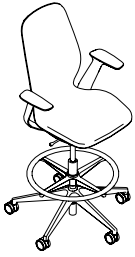


For Canadian Pricing

Multiply U.S. Price by the Canadian price factor.

► See page 1 for details.

SILQ 418 Series Collaborative Stool



Tip: Fabric on the SILQ 418 Series will only be applied in the warp vertical/down roll direction. This includes all standard Steelcase fabrics, Select Surfaces, and COMs. ▶ See Fabric Application Direction Guidelines, page 597.

Tip: Leather and vinyl upcharges are in addition to sewn upholstery upcharge.

Tip: Stitch selection will be defaulted on standard leathers.

Tip: Lower back shell and other component finishes have limited selections based on the upper back shell finish selection. ▶ See color scheme matrix, page 264.

Tip: Armless models cannot be modified to have arms after purchase. Conversely, chairs ordered with arms cannot be removed in the field after purchase.

Standard Includes	Required to Specify
<ul style="list-style-type: none"> ▶ Need help? Product details, page 262 • 8" pneumatic seat-height adjustment (22⁷/₈" – 30⁷/₈") • Fixed arms: textured paint • Upper back shell and arm caps: plastic • Lower back shell: textured paint • Five-arm base: plastic • Standard upholstery design on seat: fabric price group 1 • Adjustable foot ring: plastic color • 2"-diameter, hard-composition, dual-wheel casters: black 	<ol style="list-style-type: none"> 1 Style number 2 Fabric color number for upholstery on seat 3 Plastic color number for upper back shell and arm caps 4 Paint color number for lower back shell 5 Paint color number for arms 6 Plastic color number for base 7 Plastic color number for foot ring 8 Options, if selected (see below) <p>▶ See <i>Surface Materials</i>, page 590.</p>

Options	U.S. Price	Required to Specify
Surface Materials <ul style="list-style-type: none"> • Fabric price group 1 • Fabric price group 2 • Fabric price group 3 • Fabric price group 4 • Fabric price group 5 • Fabric price group 6 • Fabric price group 7 • Fabric price group 8 • Fabric price group 9 • Fabric price group 10 • Sewn upholstery 	<ul style="list-style-type: none"> No cost +\$ 28 +\$ 50 +\$ 71 +\$ 90 +\$111 +\$128 +\$161 +\$198 +\$223 +\$105 	<ul style="list-style-type: none"> Specify fabric color number. Specify fabric color number. Specify fabric color number. Specify fabric color number. Specify fabric color number. Specify fabric color number. Specify fabric color number. Specify fabric color number. Specify fabric color number. Specify fabric color number. Add suffix S to the style number and specify fabric color number. Add suffix S to the style number and specify leather color number Add suffix S to the style number and specify leather color number. ▶ See <i>Surface Materials Reference Manual</i>. Add suffix S to the style number and specify Elmosoft leather color number. Add suffix S to the style number and specify leather color number. ▶ See <i>Surface Materials Reference Manual</i>. Add suffix S to the style number and specify vinyl color number. ▶ See <i>Surface Materials Reference Manual</i>. Add suffix S to style number and specify leather color number. ▶ See <i>Surface Materials Reference Manual</i>. Specify <i>with soil-retardant treatment</i>.
<ul style="list-style-type: none"> • Steelcase leather upholstery • Select Surfaces leather price group 1 • Elmosoft leather • Select Surfaces leather price group 2 • Steelcase vinyl • Customer's Own Material (COM) • Customer's Own Leather (COL) • Soil-retardant treatment applied to upholstery fabric 	<ul style="list-style-type: none"> +\$265 +\$265 +\$320 +\$320 No cost No cost No cost +\$ 28 	<ul style="list-style-type: none"> Specify <i>with 6053 Seagull</i>. Specify <i>with 6249 Platinum Solid</i>. Specify <i>with 6527 Merle</i>.
Stitch <ul style="list-style-type: none"> • Light • Dark 	<ul style="list-style-type: none"> No cost No cost 	<ul style="list-style-type: none"> Specify light stitch. Specify dark stitch.
Upper Back Shell <ul style="list-style-type: none"> • 6053 Seagull • 6249 Platinum Solid • 6527 Merle 	<ul style="list-style-type: none"> No cost No cost No cost 	<ul style="list-style-type: none"> Specify <i>with 4140 Arctic White Gloss</i>. Specify <i>with 4144 Black Gloss</i>. Specify <i>with 7245 Carbon Metallic</i>. Specify <i>with 7360 Merle</i>.
Lower Back Shell <ul style="list-style-type: none"> • 4140 Arctic White Gloss • 4144 Black Gloss • 7245 Carbon Metallic • 7360 Merle 	<ul style="list-style-type: none"> +\$313 +\$313 No cost No cost 	<ul style="list-style-type: none"> Specify <i>without arms</i>. Specify Lux Coatings color number. Specify <i>with polished aluminum</i>.
Arms <ul style="list-style-type: none"> • Armless • Lux Coatings • Polished aluminum 	<ul style="list-style-type: none"> –\$ 64 +\$ 66 +\$ 94 	<ul style="list-style-type: none"> Specify <i>without arms</i>. Specify Lux Coatings color number. Specify <i>with polished aluminum</i>.

▶ **Options, continued on next page**

► Options, continued from previous page

Options	U.S. Price	Required to Specify
Base		
• Lux Coatings	+\$104	Specify Lux Coatings color number.
• Polished aluminum	+\$131	Specify <i>with polished aluminum</i> .
Casters		
• Soft, dark grey treaded, dual-wheel roll-control casters for use on hard floors	+\$ 28	Specify <i>with soft casters</i> .
• Hard, hubless casters	+\$105	Specify <i>with hard, hubless casters</i> .
• Soft, hubless casters	+\$133	Specify <i>with soft, hubless casters</i> .
Glides		
• Glides	+\$ 28	Specify <i>with glides</i> .

Specification Information

Style Number	U.S. Base Price
418B000	\$1252



SILQ 418 Series

► Detailed dimensions, page 268



For Canadian Pricing

Multiply U.S. Price by the Canadian price factor.

► See page 1 for details.

