

Understanding and Specifying Leap 464 Series WorkLounge Work Chairs

Product Details

Leap 464 Series WorkLounge	188
Dimensions	190

Specifying

WorkLounge and Ottoman	192
------------------------	-----

Work Chairs

Highly adjustable task seating offers maximum personalization for fit and comfort for a range of duration and use. By making a series of simple adjustments, you can customize the chair to your body, preferences, and tasks. These chairs provide continuous, stable, comfort, and can be quickly adjusted to support you in upright, and reclining work postures.

- Gesture 442 Series
- Leap 462 Series
- Think 465 Series
- Amia 482 Series
- Reply 466 Series
- Jersey Series
- Leap 464 Series WorkLounge
- Criterion 453 Series

Adjustability Features

▶ See page 24 for a comparison to other chairs.

Leap 464 Series

Mechanisms

Natural glide	●
---------------	---

Seat Adjustments

Pneumatic height	●
------------------	---

Back Adjustments

Lower back firmness	●
---------------------	---

Upper back tension	●
--------------------	---

Variable back stop	●
--------------------	---

Headrest with flip-up pillow	●
------------------------------	---

Leap 464 Series WorkLounge

WorkLounge—a chair designed especially for people who like to work in a deep, reclined posture.

Outer back is fully upholstered.

Ribbon back frame is standard.

Lower back firmness changes the amount of firmness user feels in lower back. Requires only two complete turns.

Upper back force requires only five complete turns and accommodates a broader range of users by allowing user to change the rate of increase in force as the user reclines.

Variable back stop with five positions is standard.

Seat height adjusts within a 3" range with a pneumatic adjustment mechanism.

Ottoman quickly and easily converts from a footrest to an auxiliary work or laptop table.

Work table, with top up, is 25"H from the floor.

Headrest and flip-up pillow provide neck and head support.

LiveBack moves with the shape of the user's spine as sitting positions change.

Fixed arms have extra padding to provide forearm support and comfort.

Lumbar pillow provides extra comfort and support to the lumbar region.

Extra thick seat cushion provides extra comfort.

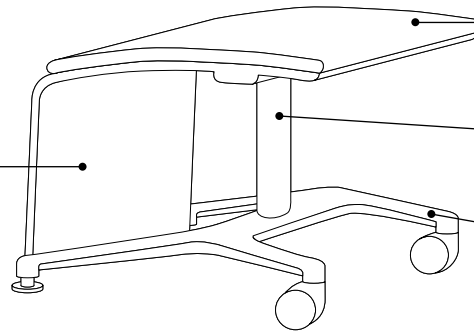
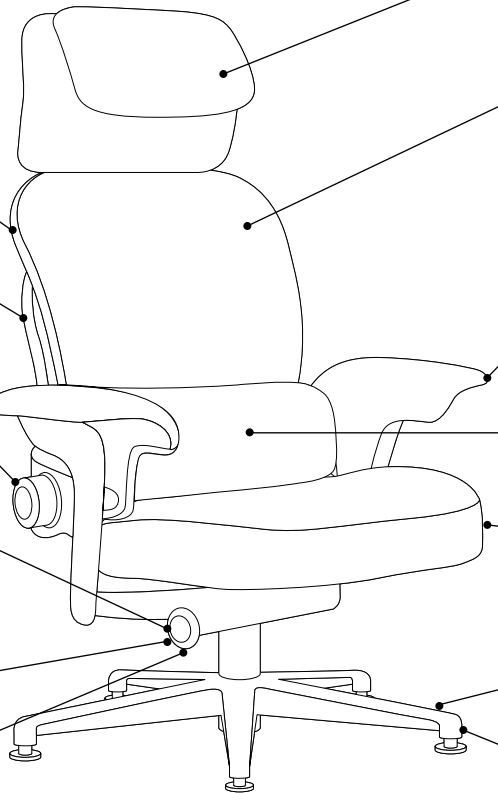
Five-arm base is standard with glides. 3" hard or soft casters are available as options.
Tip: Do not roll the chair across asphalt during installation as this may damage the casters.

Polished aluminum is standard on ribbon back frame, arm supports, base, and casters.

Footrest is cushioned and upholstered. Footrest surface is 15"H from the floor.

Polished aluminum is standard on post and four-arm base.

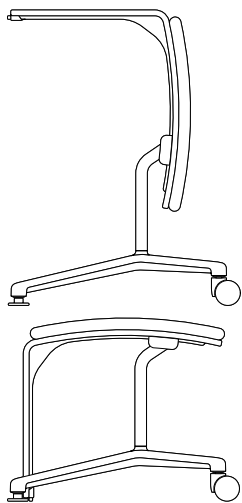
Four-arm base is standard with two glides and two hard, dual-wheel casters.



Product Details

Adjustability instructions are included with every chair and ottoman.

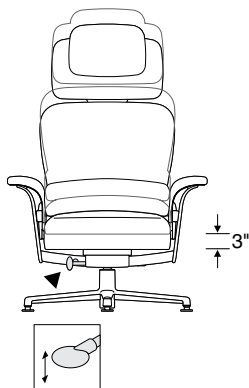
Controls under the seat include tactile braille designators.



Ottoman easily converts between two positions. With the top up, it is a work or lap-top table; with the top down it is a footrest. Locking pivot mechanism holds each position in place.

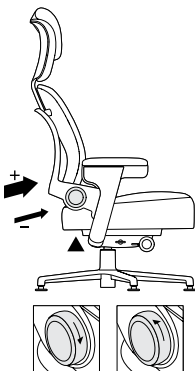
Adjustment Features

Seat Adjustments

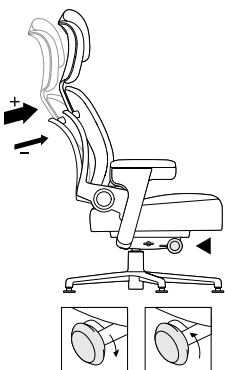


Seat height adjusts pneumatically. To lower, hold handle up while seated. To raise, hold handle up and keep your weight off the chair. This feature is standard. Range of adjustability is 3" from 15"H–18"H with standard glides and 17"H–20"H with optional casters.

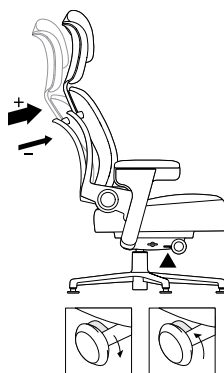
Back Adjustments



Lower back firmness adjusts by turning knob two complete turns. Forward increases firmness. Backward decreases firmness. This feature is standard.

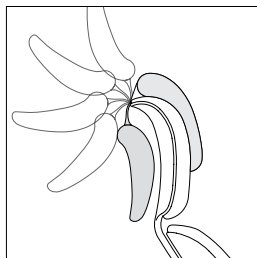


Upper back force adjusts by turning knob five complete turns. Turn knob forward to increase rate of tension; backward to decrease. This feature is standard.

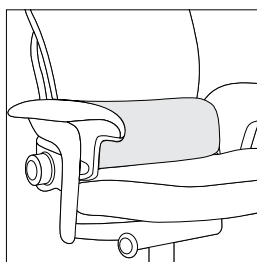


Variable back stop. Rotate handle up or down to set recline angle. Lean back to desired back angle. Five stops are available. This feature is standard.
Tip: To stop in upright position, remove weight from back and rotate lever up.

Other Features



Flip-up pillow can be positioned for use on headrest or placed over the backside of headrest when not in use. This feature is standard.



Lumbar pillow is positioned to provide comfort and support to the lumbar region.

Glides are standard.

Casters are optional. 3" polished aluminum hard- or soft-wheel casters are available.

Surface Materials

▶ See surface materials on page 590 for specific availability or refer to the *Surface Materials Reference Manual* for further information.

Upholstery

- Bo Peep fabric
- Elmorustical Leather
- Elmosoft Leather
- Select Surfaces leather

Hard components

- (Seat shell and glides)
- 6205 Black

Polished aluminum

is standard on chair and ottoman. Polished aluminum is applied to ribbon back frame, arm supports, base, and casters of chair. Ottoman has polished aluminum on post and base.

Programs & Services

▶ See the *Surface Materials Reference Manual* for further detail about programs and services offered for seating.

The Customer's Own Material (COM & COL) Program

offers the opportunity for customers to select fabrics and leather that are not offered through the standard Steelcase surface materials program for use on Steelcase products. Avoid pattern fabrics and heavily grained leathers. Through the COM & COL program, Steelcase will test your materials for application on Steelcase products. Once approved, you can place your order. Steelcase will facilitate the entire ordering process and give you a production schedule. Steelcase will order the COM & COL fabric and leather directly from the textile manufacturer. For up-to-date information regarding fabric test results for all COM & COL fabrics and details regarding yardage requirements for most Seating lines, visit the COM website. To locate the COM website:

- Visit www.steelcase.com

Dimensions

▶ Page 190

Resources

Printed Materials

- ▶ Leap Brochure (11-0002334)
- ▶ Humantech Case Study (03-0003715)
- ▶ Leap Productivity and Health Impact Study (03-0003716)

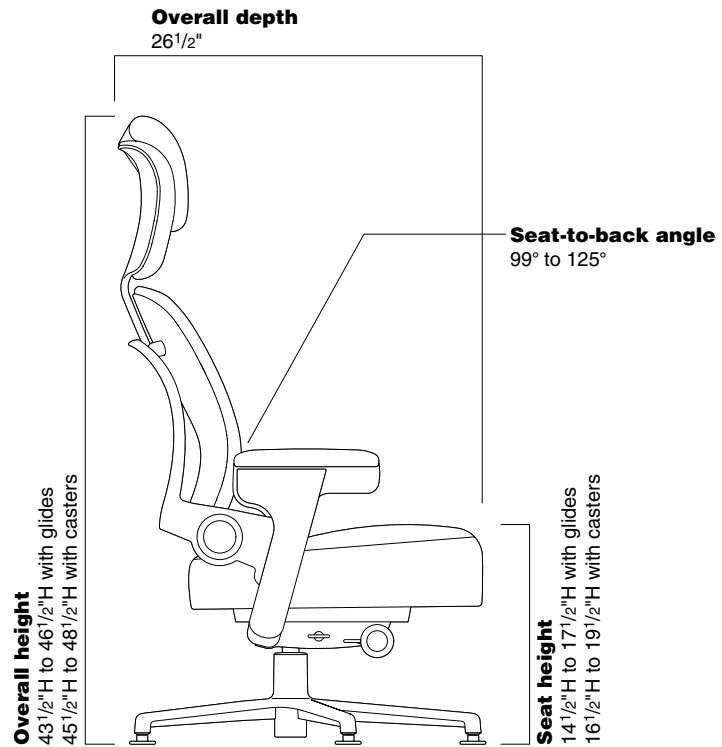
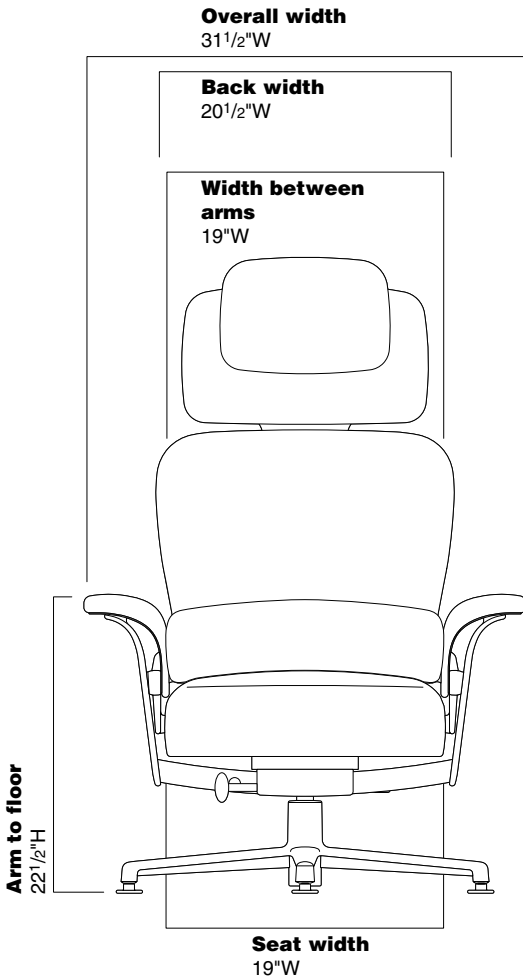
Online Resources

- ▶ Interactive User Guide available on www.steelcase.com
- ▶ Leap mini-site (download) available on village.steelcase.com or viewable on www.steelcase.com.
- ▶ Model sales conversation available on village.steelcase.com
- ▶ Leap User Guide available on www.steelcase.com
- ▶ Adjustability video available on www.steelcase.com
- ▶ Leap White Paper Packet available on village.steelcase.com
- ▶ Environmental profiles available on www.steelcase.com/sustainability.

Dimensions

Leap 464 Series

Features	Overall Depth	Width	Height	Seat Depth	Functional Seat Depth	Seat Width	Seat Height from Floor	Back Width	Back Height from Seat
Leap 464 Series									
WorkLounge									
	26 1/2"	31 1/2"	43 1/2" to 46 1/2" with glides 45 1/2" to 48 1/2" with casters	20 1/2"	18 1/2"	19"	14 1/2" to 17 1/2" with glides 16 1/2" to 19 1/2" with casters	20 1/2"	30"
Ottoman									
	19"	18 1/2"	15"	N.A.	N.A.	16 3/4"	15"	N.A.	N.A.



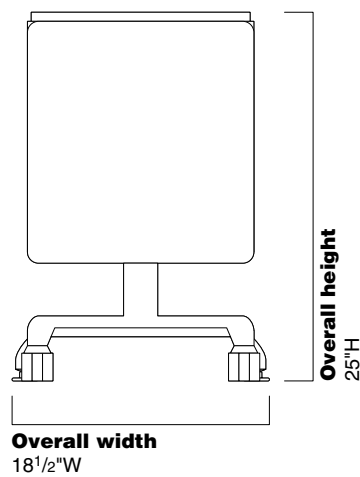
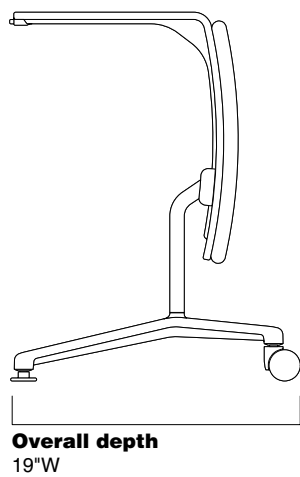
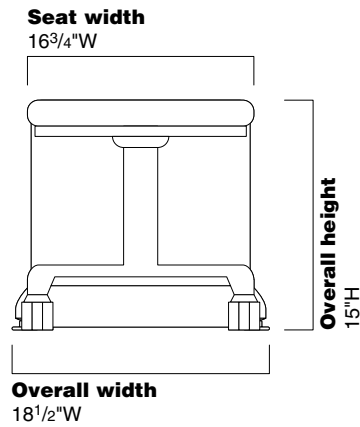
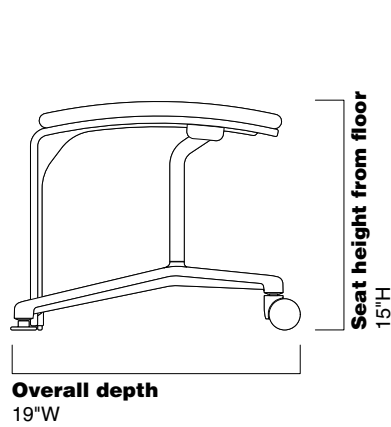
Lumbar Flex Zone	Width Between Arms	Arm to Floor	Arm Height from Seat	Angle Between Seat and Back	Table Height from Floor
------------------	--------------------	--------------	----------------------	-----------------------------	-------------------------

WorkLounge

5 1/4" to 10 1/4"	19"	22 1/2"	7 1/4"	99°–125°	N.A.
-------------------	-----	---------	--------	----------	------

Ottoman

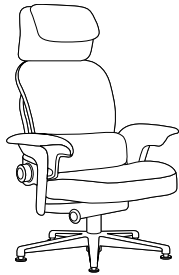
N.A.	N.A.	N.A.	N.A.	N.A.	25"
------	------	------	------	------	-----



Leap 464 Series WorkLounge and Ottoman

Leap 464 Series WorkLounge

Ribbon Back Frame



Tip: When contrasting fabrics are specified, the arms will match the seat specification.

Standard Includes		Required to Specify
<ul style="list-style-type: none"> ▶ Need help? Product details, page 188 	<ul style="list-style-type: none"> Fully upholstered back, seat, arms, headrest, and flip-up pillow: Bo Peep fabric Upper back force Variable back stop Lower back firmness Lumbar pillow Fixed, non-adjustable arms 3" pneumatic seat-height adjustment Seat and back components: black plastic only Ribbon back frame, arm supports and five-arm base: polished aluminum only Glides: black with stainless steel inserts. 	<ol style="list-style-type: none"> 1 Style number 2 Fabric color number for upholstery on back, seat, arms, headrest, and flip-up pillow 3 Options, if selected (see below) <ul style="list-style-type: none"> ▶ See <i>Surface Materials</i>, page 590.

Options	U.S. Price	Required to Specify
Surface Materials		
Upholstery on seat and back		
• Bo Peep	No cost	Specify Bo Peep fabric color number. ▶ See <i>Surface Materials</i> , page 590.
• Elmorustical Leather	+\$705	Specify with 59DK and leather color number. ▶ See <i>Surface Materials</i> , page 590.
• Elmosoft Leather	+\$705	▶ See <i>Surface Materials</i> , page 590.
• Select Surfaces leather price group 2	+\$705	▶ See <i>Surface Materials Reference Manual</i> .
• Customer's Own Material (COM)	+\$ 39	▶ See <i>Surface Materials Reference Manual</i> .
• Customer's Own Leather (COL)	+\$ 39	▶ See <i>Surface Materials Reference Manual</i> .
Contrasting upholstery on seat and back		
• Contrasting fabrics	+\$ 34	Add suffix K to the style number and specify fabric color numbers.
Upholstery on seat		
• Bo Peep	No cost	Specify Bo Peep fabric color number. ▶ See <i>Surface Materials</i> , page 590.
• Elmorustical Leather	+\$352	Specify with 59DK and leather color number. ▶ See <i>Surface Materials</i> , page 590.
• Elmosoft Leather	+\$352	▶ See <i>Surface Materials</i> , page 590.
• Select Surfaces leather price group 2	+\$352	▶ See <i>Surface Materials Reference Manual</i> .
• Customer's Own Material (COM)	+\$ 19	▶ See <i>Surface Materials Reference Manual</i> .
• Customer's Own Leather (COL)	+\$ 19	▶ See <i>Surface Materials Reference Manual</i> .
Upholstery on back		
• Bo Peep	No cost	Specify Bo Peep fabric color number. ▶ See <i>Surface Materials</i> , page 504.
• Elmorustical Leather	+\$353	Specify with 59DK and leather color number. ▶ See <i>Surface Materials</i> , page 590.
• Elmosoft Leather	+\$353	▶ See <i>Surface Materials</i> , page 590.
• Select Surfaces leather price group 2	+\$352	▶ See <i>Surface Materials Reference Manual</i> .
• Customer's Own Material (COM)	+\$ 19	▶ See <i>Surface Materials Reference Manual</i> .
• Customer's Own Leather (COL)	+\$ 19	▶ See <i>Surface Materials Reference Manual</i> .
Casters		
• 3" hard-composition, dual-wheel casters for use on carpet: polished aluminum and black	+\$ 76	Specify with <i>hard casters</i> .
• 3" soft, dual-wheel casters for use on hard floors: polished aluminum and black	+\$ 76	Specify with <i>soft casters</i> .

▶ Detailed dimensions, page 190



For Canadian Pricing

Multiply U.S. Price by the Canadian price factor.

▶ See page 1 for details.

Specification Information

Style Number	U.S. Base Price
464LOUNGE	\$4130

Leap 464 Series Ottoman



Standard Includes		Required to Specify
<ul style="list-style-type: none"> ▶ Need help? Product details, page 188 	<ul style="list-style-type: none"> • Upholstery on footrest: Bo Peep fabric • Work table and footrest shell: black plastic only • Post and four-arm base: polished aluminum • Two glides: black with stainless steel inserts • Two 2"-diameter, hard-composition, dual-wheel casters: black 	<ul style="list-style-type: none"> 1 Style number 2 Fabric color number for upholstery on footrest 3 Options, if selected (see below) ▶ See <i>Surface Materials</i>, page 590.

Options	U.S. Price	Required to Specify
Surface Materials		
• Bo Peep	No cost	Specify Bo Peep fabric color number. ▶ See <i>Surface Materials</i> , page 590.
• Elmorustical Leather	+\$161	Specify with 59DK and leather color number. ▶ See <i>Surface Materials</i> , page 590.
• Elmosoft Leather	+\$161	▶ See <i>Surface Materials</i> , page 590.
• Select Surfaces leather price group 2	+\$161	▶ See <i>Surface Materials Reference Manual</i> .
• Customer's Own Material (COM)	+\$ 39	▶ See <i>Surface Materials Reference Manual</i> to specify.
• Customer's Own Leather (COL)	+\$ 39	▶ See <i>Surface Materials Reference Manual</i> to specify.

Specification Information

• Style Number	• U.S. Base Price
464OTTOMAN	\$1233

Leap 464 Series

▶ Detailed dimensions, page 190



For Canadian Pricing

Multiply U.S. Price by the Canadian price factor.

▶ See page 1 for details.

