

Understanding and Specifying Jersey Series Work Chair

Product Details

Jersey Series	172
Dimensions	176

Specifying

Jersey Series Value Package Work Chair	178
Jersey Series Work Chair	180
Jersey Series Multi-Use Chairs	182

Work Chairs

Highly adjustable task seating offers maximum personalization for fit and comfort for a range of duration and use. By making a series of simple adjustments, you can customize the chair to your body, preferences, and tasks. These chairs provide continuous, stable, comfort, and can be quickly adjusted to support you in upright, and reclining work postures.

- Gesture 442 Series
- Leap 462 Series
- Think 465 Series
- Amia 482 Series
- Reply 466 Series
- Jersey Series
- Leap 464 Series WorkLounge
- Criterion 453 Series

Adjustability Features

► See page 24 for a comparison to other chairs.

Jersey Series

Mechanisms

Synchro-tilt	●
--------------	---

Seat Adjustments

Pneumatic height	●
------------------	---

Seat angle	●
------------	---

Seat depth	●
------------	---

Back Adjustments

Back tension	●
--------------	---

Upright back lock	●
-------------------	---

Arm Adjustments

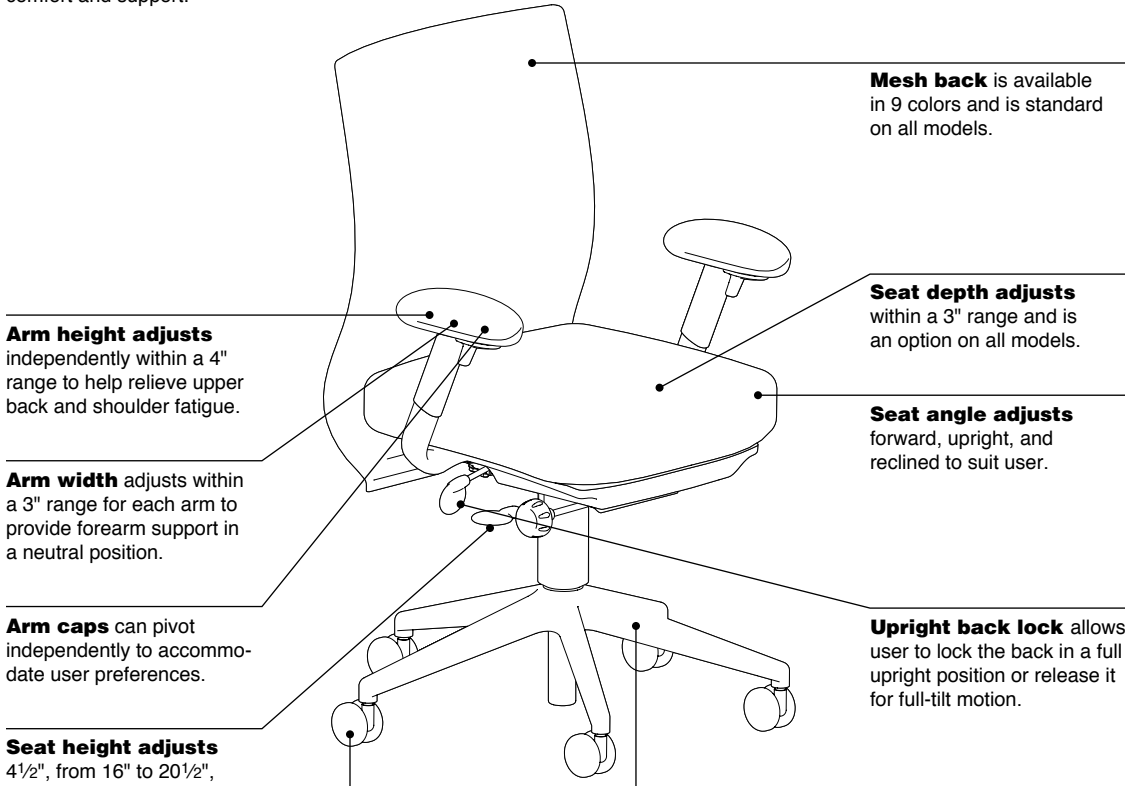
Arm height	●
------------	---

Arm width	●
-----------	---

Arm pivot	●
-----------	---

Jersey Series

Jersey features a double mesh back in a unique ergonomic "S" shape to conform to each user for comfort and support.



Mesh back is available in 9 colors and is standard on all models.

Seat depth adjusts within a 3" range and is an option on all models.

Seat angle adjusts forward, upright, and reclined to suit user.

Upright back lock allows user to lock the back in a full upright position or release it for full-tilt motion.

Five-arm base is plastic on 6205 Black frame models. Base is aluminum on 4799 Platinum models.

Casters have hard, dual-wheels that roll smoothly on carpets. They are 2½" for increased mobility. Soft, dark grey treaded, dual-wheel roll-control casters are available for use on hard floors or mats.
Tip: Do not roll the chair across asphalt during installation as this may damage the casters.

Arm height adjusts independently within a 4" range to help relieve upper back and shoulder fatigue.

Arm width adjusts within a 3" range for each arm to provide forearm support in a neutral position.

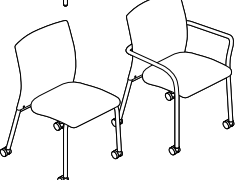
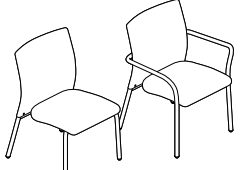
Arm caps can pivot independently to accommodate user preferences.

Seat height adjusts 4½", from 16" to 20½", with a pneumatic adjustment mechanism.

Product Details

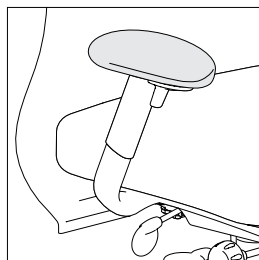


Jersey work chairs are available armless, with fixed arms, with height and maintenance width-adjustable arms, and with height-, width-, and pivot-adjustable arms.

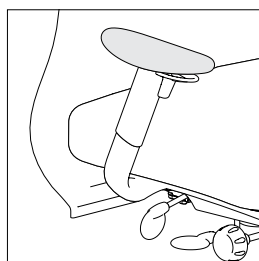


Multi-use chairs are available with or without arms and with or without casters.

Arm cap styles depend on the arm adjustment selected.



Arm cap on height-, width-, and pivot-adjustable arms.

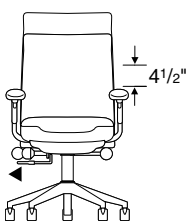


Arm cap on fixed and height and maintenance-width-adjustable arms.

Stackability for the Jersey guest chair is four high on the floor. Models with arms are 24¹/₄"W x 28¹/₂"D x 42¹/₂"H. Models without arms are 20⁵/₈"W x 28¹/₂"D x 42¹/₂"H. If stacking dimensions are intended for an enclosure, add 2" to the width and depth, and 1" to the height for clearance.

Adjustment Features

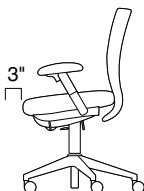
Seat Adjustments



Seat height adjusts pneumatically. To raise chair, lift body weight up, and pull lever up. To lower chair, remain seated and pull lever up.

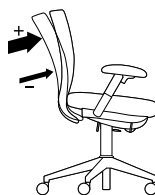


Seat angle adjustment. Pull lever back and hold, shift seat to desired angle, and release lever to lock.



Seat depth adjustment. Pull lever forward and hold, shift seat forward or back, and release lever to lock.

Back Adjustments

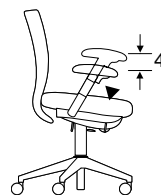


Back tension adjustment. To decrease tension, turn counterclockwise. To increase tension, turn clockwise.

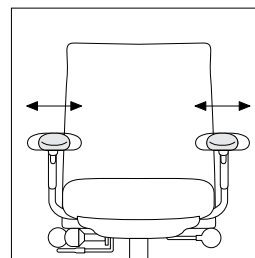


Upright back lock. To release, lean forward and pull toward back. To lock, lean forward and push toward front.

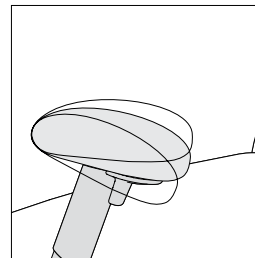
Arm Adjustments



Arm height. Pull trigger up and hold, pull arm up or push down, and release trigger to lock.



Arm width on rounded telescoping height, width, and pivot arm. Grasp arm caps and move in or out. Arm will stay where positioned.



Arms pivot independently, 30° inward and outward. Grasp arm and push front to left or right.

Maintenance arm width adjustment. Loosen and remove screws, slide arm bracket in. Replace and tighten screws.

Surface Materials

▶ See surface materials on page 590 for specific availability or refer to the *Surface Materials Reference Manual* for further information.

Upholstery

- Mesh on back standard
- Fabric or leather on seat

Hard components

- (base, arms, plastic arm caps, outer seat)
- Black

Platinum frame

(base and arm uprights) available as an option

Arms

- Black

All Steelcase seating with standard upholstery fabrics

complies with requirements of the State of California Technical Bulletin 117-2013. All standard seating is labeled to be in compliance with California 117-2013.

Jersey Series

Programs & Services

▶ See the *Surface Materials Reference Manual* for further detail about programs and services offered for seating.

The Customer's Own Material (COM) Program

offers the opportunity for customers to select fabrics that are not offered through the standard Steelcase surface materials program for use on Steelcase products. Through the COM program, Steelcase will test your materials for application on Steelcase products. Once approved, you can place your order. Steelcase will facilitate the entire ordering process and give you a production schedule. Steelcase will order the COM fabric directly from the textile manufacturer. For up-to-date information regarding fabric test results for all COM fabrics and details regarding yardage requirements for most Seating lines, visit the COM website. To locate the COM website:

- Visit www.steelcase.com

Dimensions

▶ Page 176

Resources

Printed Materials

▶ Jersey Brochure (04-0000161)

Audiovisual Materials

▶ User Guide available on www.steelcase.com

Online Resources

▶ Environmental profiles available on www.steelcase.com/sustainability.

Shipping

Jersey chairs are cartoned assembled only. Uncartoned shipments are not available.

Dimensions

Jersey Series

Features	Overall Depth	Width	Height	Functional Seat Depth	Seat Width	Seat Height from Floor	Back Width	Back Height from Seat
----------	---------------	-------	--------	-----------------------	------------	------------------------	------------	-----------------------

Jersey Series

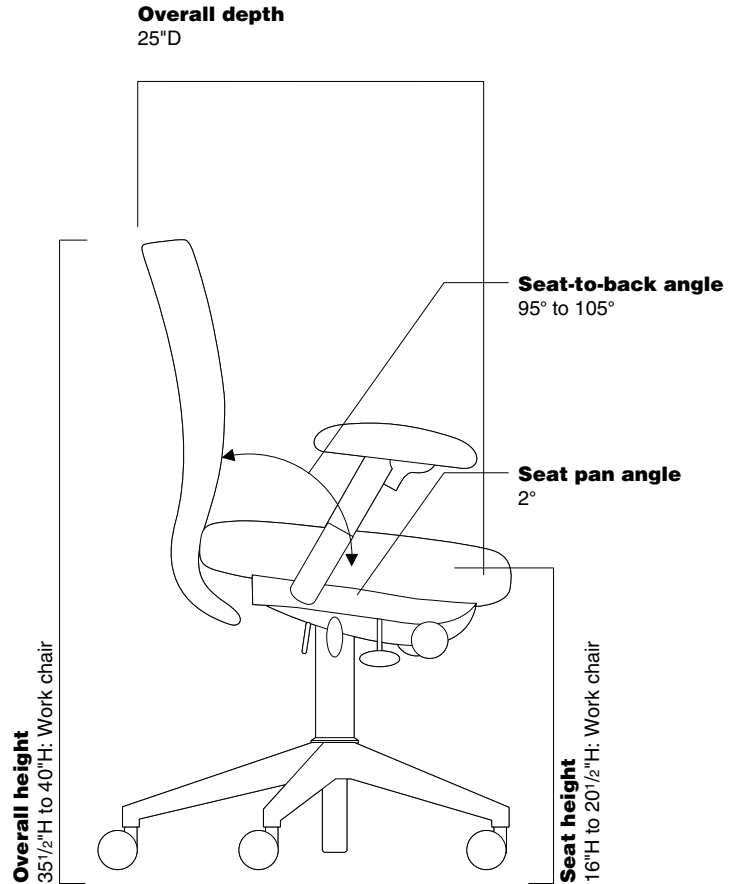
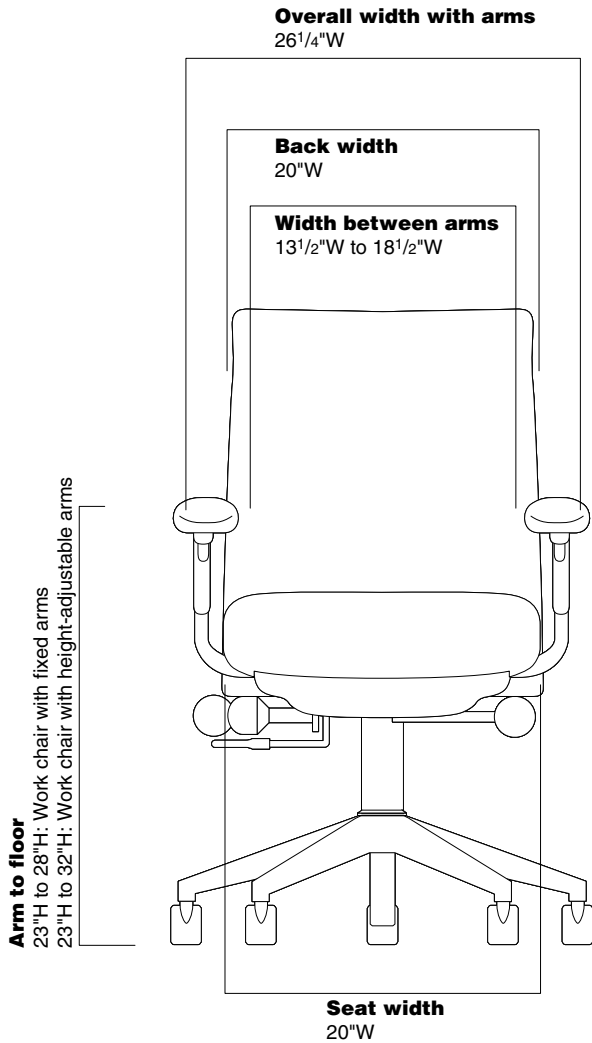
Work Chairs

Pneumatic	25"	26 ¹ / ₄ "	35 ¹ / ₂ "–40"	17"*	20"	16"–20 ¹ / ₂ "	20"	18"
-----------	-----	----------------------------------	--------------------------------------	------	-----	--------------------------------------	-----	-----

Multi-Use Chairs

4-Leg with Arms	24"	24"	32 ¹ / ₄ "	17"	17 ¹ / ₂ "	17 ¹ / ₂ "	19"	15 ¹ / ₂ "
4-Leg Armless	24"	17 ¹ / ₂ "	32 ¹ / ₄ "	17"	17 ¹ / ₂ "	17 ¹ / ₂ "	19"	15 ¹ / ₂ "

*Models with seat depth adjustment measures 16³/₄"–20".



• Width • Between • Arms	• Arm to • Floor • Fixed • Arm	• Arm to • Floor • Height Adj • Arm	• Arm • Height • from Seat • Fixed Arm	• Arm • Height • from Seat • Adj-Height • Arm	• Arm Cap • Pivot • Range	• Seat • Pan • Angle	• Angle • Between • Seat and • Back
--------------------------------	---	--	---	---	---------------------------------	----------------------------	--

Work Chairs

13½"–18½"	23"–28"	23"–32"	9"	7"–11"	30°	2°	95°–105°
-----------	---------	---------	----	--------	-----	----	----------

Multi-Use Chairs

21⅝"	25½"	N.A.	7½"	N.A.	N.A.	2°	N.A.
N.A.	N.A.	N.A.	N.A.	N.A.	N.A.	N.A.	N.A.

Jersey Series Value Package Work Chair

Black Mesh on Back with Buzz2 Fabric on Seat

Black Plastic Finish on Frame



Tip: This value package allows you to obtain the pre-selected features at a lower price than if specifying as a standard model number.

Tip: Options or substitutions are not available on this value package.

Standard Includes	Required to Specify
-------------------	---------------------

- | | | |
|--|--|--|
| <ul style="list-style-type: none"> ▶ Need help? Product details, page 172 | <ul style="list-style-type: none"> • Deluxe synchro-tilt mechanism: provides seat depth and seat angle • Pneumatic seat-height adjustment • Upright back lock • Tilt tension • Back: T084 Black mesh • Seat: Buzz2 fabric • Height-, width-, and pivot-adjustable arms • Frame: black plastic • 2½" diameter, hard composition, dual-wheel casters: black | <ul style="list-style-type: none"> 1 Style number 2 Buzz2 fabric color number ▶ See <i>Surface Materials</i>, page 590. |
|--|--|--|

Specification Information	
• Style Number	• U.S. Price

JERSEYV 	\$1193

▶ Detailed dimensions, page 176



For Canadian Pricing

Multiply U.S. Price by the Canadian price factor.

▶ See page 1 for details.

 = Transitional product

Jersey Series Work Chair



Standard Includes	Required to Specify
<ul style="list-style-type: none"> ▶ Need help? Product details, page 172 • Synchro-tilt mechanism • Pneumatic height adjustment • Upright back lock • Tilt tension • Back: mesh • Seat: fabric • Five-arm base: reinforced black plastic • 2½" diameter, hard composition, dual-wheel casters: black 	<ul style="list-style-type: none"> 1 Style number 2 Mesh color number for back 3 Fabric color number for seat 4 Options, if selected (see below) ▶ See <i>Surface Materials</i>, page 590.

Options	U.S. Price	Required to Specify
Surface Materials <ul style="list-style-type: none"> • Jersey black fabric • Fabric price group 1 • Fabric price group 2 • Fabric price group 3 • Fabric price group 4 • Fabric price group 5 • Fabric price group 6 • Fabric price group 7 • Fabric price group 8 • Fabric price group 9 • Fabric price group 10 • Jersey black leather • Steelcase leather upholstery • Select Surfaces leather price group 1 • Elmosoft leather upholstery • Select Surfaces leather price group 2 • Steelcase vinyl • Customer's Own Material (COM) • Customer's Own Leather (COL) • Customer's Own Material/Vinyl (COM-Sewn) 	<ul style="list-style-type: none"> No cost No cost +\$ 10 +\$ 28 +\$ 37 +\$ 44 +\$ 54 +\$ 65 +\$ 81 +\$ 99 +\$114 +\$104 +\$180 +\$180 +\$207 +\$207 +\$ 10 No cost No cost No cost 	<ul style="list-style-type: none"> Specify 5011. Specify fabric color number. Specify fabric color number. Specify fabric color number. Specify fabric color number. Specify fabric color number. Specify fabric color number. Specify fabric color number. Specify fabric color number. Specify fabric color number. Specify fabric color number. Add suffix S to the style number and specify L225. Add suffix S to the style number and specify leather color number. Add suffix S to the style number and specify Select Surfaces leather price group 1. ▶ See <i>Surface Materials Reference Manual</i>. Add suffix S to the style number and specify Elmosoft leather color number. Add suffix S to the style number and specify Select Surfaces leather price group 2. ▶ See <i>Surface Materials Reference Manual</i>. Add suffix S to the style number and specify vinyl color number. ▶ See <i>Surface Materials Reference Manual</i>. Add suffix S to the style number and specify leather color number. Add suffix S to the style number and specify vinyl color number.
Frame and Base <ul style="list-style-type: none"> • 4799 Platinum frame with aluminum base 	<ul style="list-style-type: none"> +\$ 93 	<ul style="list-style-type: none"> Specify <i>with 4799 Platinum</i>.
Seating Mechanism <ul style="list-style-type: none"> • Deluxe synchro-tilt mechanism: provides seat depth and seat angle 	<ul style="list-style-type: none"> +\$103 	<ul style="list-style-type: none"> Specify <i>with deluxe synchro-tilt mechanism</i>.
Fixed-Height Arms <ul style="list-style-type: none"> • Fixed-height, maintenance width-adjustable arms 	<ul style="list-style-type: none"> +\$114 	<ul style="list-style-type: none"> Specify <i>with fixed-height, maintenance width-adjustable arms</i>.
Height-Adjustable Arms <ul style="list-style-type: none"> • Height- and maintenance width-adjustable arms 	<ul style="list-style-type: none"> +\$142 	<ul style="list-style-type: none"> Specify <i>with height- and maintenance width-adjustable arms</i>.
Height-, Width-, and Pivot-Adjustable Arms <ul style="list-style-type: none"> • Height-, width-, and pivot-adjustable arms 	<ul style="list-style-type: none"> +\$167 	<ul style="list-style-type: none"> Specify <i>with height-, width-, and pivot-adjustable arms</i>.
Casters <ul style="list-style-type: none"> • Soft, dark grey treaded, dual-wheel roll-control casters for use on hard floors 	<ul style="list-style-type: none"> +\$ 28 	<ul style="list-style-type: none"> Specify <i>with soft roll-control casters</i>.

Tip: Leather, Elmosoft leather, COL, vinyl, and COM vinyl materials require a **S** suffix.

Tip: Arms, if specified, will match frame color (7207 Black standard, 4799 Platinum optional).

▶ Detailed dimensions, page 176



For Canadian Pricing
Multiply U.S. Price by the Canadian price factor.

▶ See page 1 for details.

Specification Information

• Style • Number	• U.S. • Base • Price
---------------------	-----------------------------

TS38301 	\$993
---	-------



Jersey Series



For Canadian Pricing

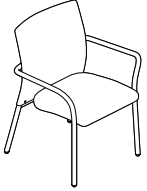
Multiply U.S. Price by the Canadian price factor.

▶ See page 1 for details.

 = Transitional product

Jersey Series Multi-Use Chairs

Multi-Use Chair, Fabric, with Glides



Tip: Arms, if specified, will match frame color (7207 Black standard, 4799 Platinum optional).

Tip: Leather, Elmosoft leather, COL, vinyl, and COM vinyl materials require a **S** suffix.

Standard Includes		Required to Specify	
<ul style="list-style-type: none"> ▶ Need help? Product details, page 172 	<ul style="list-style-type: none"> • Back: mesh • Seat: fabric • Arms, if selected: black • Steel four-leg frame: black • Glides: black plastic 		<ul style="list-style-type: none"> 1 Style number 2 Mesh color number for back 3 Fabric color number for seat 4 Options, if selected (see below) ▶ See <i>Surface Materials</i>, page 590.
Options	U.S. Price	Required to Specify	
Surface Materials			
Seat Upholstery			
<ul style="list-style-type: none"> • Jersey black fabric • Fabric price group 1 • Fabric price group 2 • Fabric price group 3 • Fabric price group 4 • Fabric price group 5 • Fabric price group 6 • Fabric price group 7 • Fabric price group 8 • Fabric price group 9 • Fabric price group 10 • Jersey black leather 	<ul style="list-style-type: none"> No cost No cost +\$ 10 +\$ 28 +\$ 37 +\$ 44 +\$ 54 +\$ 65 +\$ 81 +\$ 99 +\$114 +\$104 	Specify with 5011. Specify fabric color number. Specify fabric color number. Specify fabric color number. Specify fabric color number. Specify fabric color number. Specify fabric color number. Specify fabric color number. Specify fabric color number. Specify fabric color number. Specify fabric color number. Specify fabric color number. Add suffix S to the style number and specify with L225. Add suffix S to the style number and specify leather color number. Add suffix S to the style number and specify Select Surfaces leather price group 1. ▶ See <i>Surface Materials Reference Manual</i> . Add suffix S to the style number and specify Elmosoft leather color number. Add suffix S to the style number and specify Select Surfaces leather price group 2. ▶ See <i>Surface Materials Reference Manual</i> . Add suffix S to the style number and specify vinyl color number. ▶ See <i>Surface Materials Reference Manual</i> . Add suffix S to the style number and specify leather color number. Add suffix S to the style number and specify vinyl color number.	
<ul style="list-style-type: none"> • Steelcase leather upholstery • Select Surfaces leather price group 1 • Elmosoft leather upholstery • Select Surfaces leather price group 2 • Steelcase vinyl • Customer's Own Material (COM) • Customer's Own Leather (COL) • Customer's Own Material/Vinyl (COM-Sewn) 	<ul style="list-style-type: none"> +\$180 +\$180 +\$207 +\$207 +\$ 10 No cost No cost No cost 		
Frame	<ul style="list-style-type: none"> • 4799 Platinum aluminum frame 	<ul style="list-style-type: none"> +\$ 62 	Specify with 4799 Platinum.

▶ Detailed dimensions, page 176



For Canadian Pricing

Multiply U.S. Price by the Canadian price factor.

▶ See page 1 for details.

 = Transitional product

Specification Information

• Style	• U.S. Base
• Number	• Price



With Arms

TS38304 	\$614
--	-------



Without Arms

TS38305 	\$564
--	-------

Jersey Series



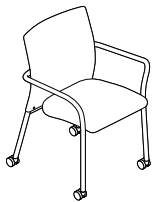
For Canadian Pricing

Multiply U.S. Price by the Canadian price factor.

▶ See page 1 for details.

 = Transitional product

Multi-Use Chair, Fabric, with Casters **T**



Tip: Arms, if specified, will match frame color (7207 Black standard, 4799 Platinum optional).

Tip: Leather, Elmosoft leather, COL, vinyl, and COM vinyl materials require a **S** suffix.

Standard Includes	Required to Specify
<ul style="list-style-type: none"> ▶ Need help? Product details, page 172 • Back: mesh • Seat: fabric • Arms, if selected: black • Steel four-leg frame: black • 2½" diameter, hard composition, dual-wheel casters: black 	<ul style="list-style-type: none"> 1 Style number 2 Mesh color number for back 3 Fabric color number for seat 4 Options, if selected (see below) ▶ See <i>Surface Materials</i>, page 590.

Options	U.S. Price	Required to Specify
<p>Surface Materials</p> <p>Seat Upholstery</p> <ul style="list-style-type: none"> • Jersey black fabric • Fabric price group 1 • Fabric price group 2 • Fabric price group 3 • Fabric price group 4 • Fabric price group 5 • Fabric price group 6 • Fabric price group 7 • Fabric price group 8 • Fabric price group 9 • Fabric price group 10 • Jersey black leather • Steelcase leather upholstery • Select Surfaces leather price group 1 • Elmosoft leather upholstery • Select Surfaces leather price group 2 • Steelcase vinyl • Customer's Own Material (COM) • Customer's Own Leather (COL) • Customer's Own Material/Vinyl (COM-Sewn) 	<ul style="list-style-type: none"> No cost No cost +\$ 10 +\$ 28 +\$ 37 +\$ 44 +\$ 54 +\$ 65 +\$ 81 +\$ 99 +\$114 +\$104 +\$180 +\$180 +\$207 +\$207 +\$ 10 No cost No cost No cost 	<p>Specify with 5011.</p> <p>Specify fabric color number.</p> <p>Specify fabric color number.</p> <p>Specify fabric color number.</p> <p>Specify fabric color number.</p> <p>Specify fabric color number.</p> <p>Specify fabric color number.</p> <p>Specify fabric color number.</p> <p>Specify fabric color number.</p> <p>Specify fabric color number.</p> <p>Specify fabric color number.</p> <p>Specify fabric color number.</p> <p>Add suffix S to the style number and specify with L225.</p> <p>Add suffix S to the style number and specify leather color number.</p> <p>Add suffix S to the style number and specify Select Surfaces leather price group 1.</p> <p>▶ See <i>Surface Materials Reference Manual</i>. Add suffix S to the style number and specify Elmosoft leather color number.</p> <p>Add suffix S to the style number and specify Select Surfaces leather price group 2.</p> <p>▶ See <i>Surface Materials Reference Manual</i>. Add suffix S to the style number and specify vinyl color number.</p> <p>▶ See <i>Surface Materials Reference Manual</i>. Add suffix S to the style number and specify leather color number.</p> <p>Add suffix S to the style number and specify vinyl color number.</p> <p>Specify with 4799 Platinum.</p> <p>Specify with soft casters.</p>
<p>Frame</p> <ul style="list-style-type: none"> • 4799 Platinum aluminum frame 	<ul style="list-style-type: none"> +\$ 62 	<p>Specify with 4799 Platinum.</p>
<p>Casters</p> <ul style="list-style-type: none"> • Soft dual-wheel casters for use on hard floors 	<ul style="list-style-type: none"> +\$ 28 	<p>Specify with soft casters.</p>

▶ Detailed dimensions, page 176



For Canadian Pricing

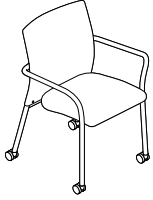
Multiply U.S. Price by the Canadian price factor.

▶ See page 1 for details.

T = Transitional product

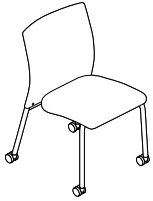
Specification Information

• Style	• U.S. Base
• Number	• Price



With Arms

TS38308 ⓘ	\$672
------------------	-------



Without Arms

TS38309 ⓘ	\$626
------------------	-------

Jersey Series



For Canadian Pricing

Multiply U.S. Price by the Canadian price factor.

▶ See page 1 for details.

ⓘ = Transitional product

