

Steelcase

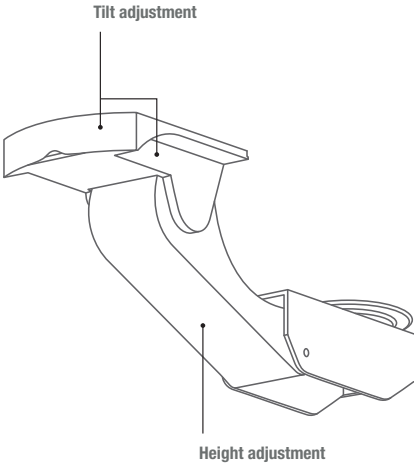
Stella Mechanism

User Guide

Stella® Mechanism

Our keyboard platforms and Stella Mechanism let you work with the right tools at your fingertips, all with effortless adjustability.

With its slim profile and contoured design, Stella is able to provide a full range of flexibility that other keyboard mechanisms simply can't reach. Take it above the worksurface, or tuck it away underneath. Stella is crafted using aircraft-quality materials creating a platform that's as sturdy as it is flexible.

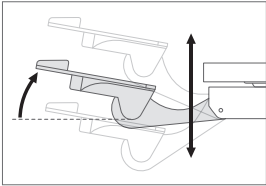


Stella Mechanism Controls

Height adjustment range is 8.5". The mechanism can tilt 15° in either the positive or negative direction, but ships with the positive tilt locked out. It has a rear swivel of 360°.

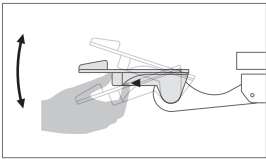
Stella has a height adjustment range above and below the worksurface of 3½" below and 5" above the track.

Caution: Do not sit or lean on this product. It is not designed to support your weight.



HEIGHT ADJUSTMENT

Tilt the platform back, adjust height to the desired position and release.



TILT ADJUSTMENT

Pull the slide toward you, tilt the platform to the desired angle and release the slide.

Steelcase®

Visit steelcase.com

2/16 © 2016 All rights reserved. All specifications subject to change without notice. Printed in U.S.A.