

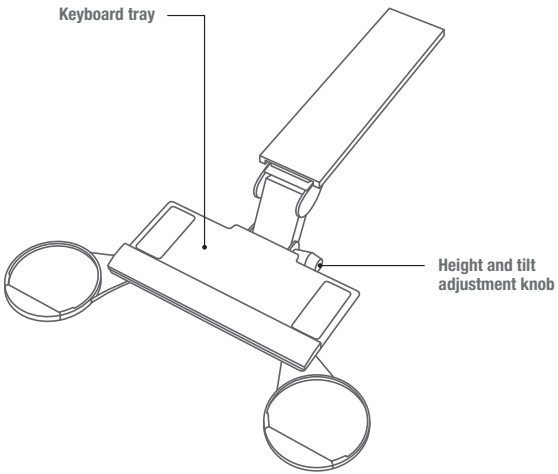
Steelcase

Lift + Lock Mechanism

User Guide

Lift + Lock Mechanism

Ergonomic performance wherever and however you need it. Work the way you want to work. The Lift and Lock Mechanism gives you the freedom to position your keyboard in the most comfortable, easy-to-use position.

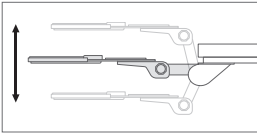


Lift + Lock Mechanism Controls

Use this product correctly: Height adjustment range is either 8.37" or 10.75" (depending on model). The mechanism can tilt 15° in the positive and negative directions. All mechanisms ship with positive tilt locked out.

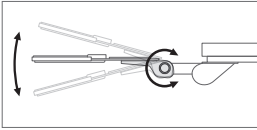
Lift and Lock is standard with soft touch knob simultaneous height and tilt adjustment, and is spring assisted to counterbalance keyboard tray and weight.

Caution: Do not sit or lean on this product. It is not designed to support your weight.



HEIGHT ADJUSTMENT

Tilt the platform back, adjust height to the desired position and release.



TILT ADJUSTMENT

Turn the knob located near the top of the mechanism toward you. Set the tilt to desired position and tighten knob.

Steelcase®

Visit steelcase.com

2/16 © 2016 All rights reserved. All specifications subject to change without notice. Printed in U.S.A.