

Steelcase

Dial Indicator6 Mechanism

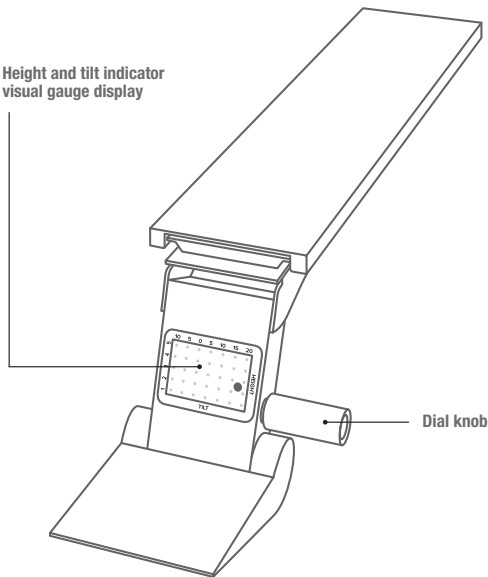
User Guide

Dial Indicator6 Mechanism

The perfect height and tilt – every time. For a personalized custom fit, the highly adjustable mechanism provides both the desired keyboard height and tilt through an easy-to-access visual gauge.

Dial Indicator6 Mechanism is standard with patented dial tilt and the ability to dual swivel 360°.

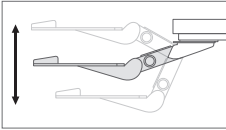
For use in straight and corner applications. Requires 23" depth.



Dial Indicator⁶ Mechanism Controls

Height adjustment range is 2³/₈" above the track to 6¹/₂" below the track. The mechanism can tilt +10°/-20° but ships with positive tilt locked out.

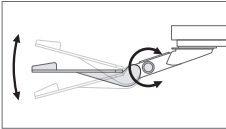
Caution: Do not sit or lean on this product. It is not designed to support your weight.



HEIGHT ADJUSTMENT

To raise: grasp sides of tray and lift to desired height.

To lower: grasp sides and angle tray front upward, lower to desired height.

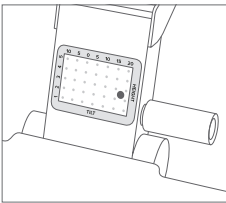


TILT ADJUSTMENT

Adjust knob on right side by turning.

Negative tilt: turn knob away from user.

Positive tilt: turn knob toward user (ships with positive tilt disabled).



VISUAL GAUGE

Height-Adjustment: The vertical axis measures height-adjustment setting where 5 is the highest point and 1 is the lowest point.

Tilt-Adjustment: The horizontal axis measures the degree of tilt, where the left-hand side represents the degree of positive tilt and the right-hand side represents the degree of negative tilt.

Steelcase®

Visit steelcase.com

2/16 © 2016 All rights reserved. All specifications subject to change without notice. Printed in U.S.A.