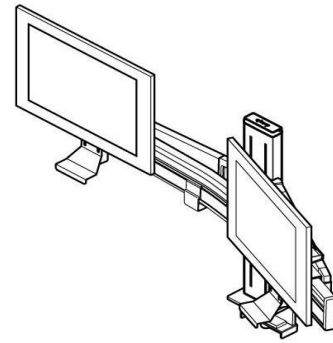


Eyesite Dual Display Support



Style Numbers

Standard Crank Adjust Column with C:clamp mount	FPAC2CC
Standard Crank Adjust Column with c:scape mount	FPAC2CS
Standard Crank Adjust Column with Through mount	FPAC2TM
Standard Crank Adjust Column with FrameOne mount	FPAC2FO
Extended Crank Adjust Column with C:clamp mount	FPAEC2CC
Extended Crank Adjust Column with c:scape mount	FPAEC2CS
Extended Crank Adjust Column with Through mount	FPAEC2TM
Extended Crank Adjust Column with FrameOne mount	FPAEC2FO
Extended Crank Adjust Column with Bivi mount	FPAEC2BIVI

Features

Maintaining multiple screen alignment across the entire adjustability range
Unique, "on-center mounting" and Quick-connect points for fast and easy installation
Sliding VESA connection points to support a range of monitors

Dimensions/Weight

FPAC2CC	W31" x H15½" x D8½"	18 lbs.
FPAC2CS	W31" x H15½" x D8½"	18 lbs.
FPAC2TM	W31" x H15½" x D8½"	17 lbs.
FPAC2FO	W31" x H15½" x D8½"	17.5 lbs.
FPAEC2CC	W31" x H20" x D8½"	19 lbs.
FPAEC2CS	W31" x H20" x D8½"	19 lbs.
FPAEC2TM	W31" x H20" x D8½"	18 lbs.
FPAEC2FO	W31" x H20" x D8½"	18 lbs.
FPAEC2BIVI	W31" x H20" x D8½"	17 lbs.

Technical Specification

Supports 2 monitors weighing:	20 lbs. each
Supports monitors size:	Maximum 27" in 16:9 format
Standard crank adjust columns:	for large monitor screens (20"+)
Extended crank adjust columns:	for small monitor screens (17" – 19")
Functional Focal length:	13"
Vertical adjustment range:	Standard column 7½", extended column 12½"
Tilt:	10° Forward tilt and 90° backward tilt
Pan:	175°
Rotation:	360° - portrait to landscape
VESA Plate	75mm & 100mm, w/quick connect and security feature
Application:	Straight and corner applications.
Construction:	Aluminum, Steel and ABS plastic
Color:	Platinum
Warranty:	12 years

Spec Tip

When mounting Eyesite on c:scape, the desk must be tethered to the c:scape beam, back of another desk or to 1½"H low storage.

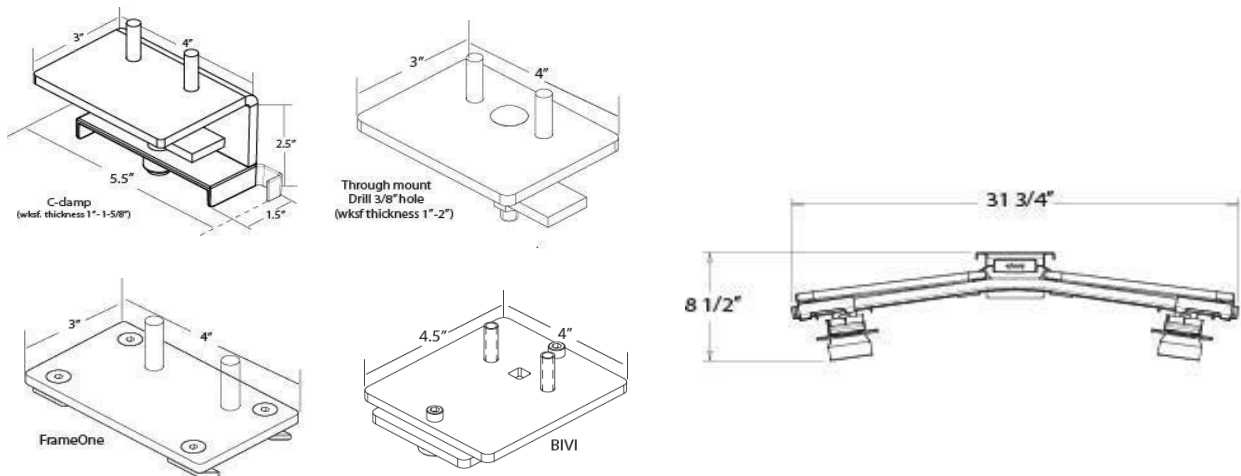
When mounting Dual Eyesite on stand-alone, single-sided FrameOne base units, the worksurface must be W66" or greater and you must use Eyesite Standard Crank Adjust Column only.

Slatwall or slatrail can be mounted on either side of Eyesite. Eyesite cannot be mounted in the front of slatwall or slatrail.

Monitor arms with c-clamp brackets are not recommended on Universal Tables with P-edge as the user's edge wraps all the way around. Universal Systems worksurfaces with P-edge will work as the user's edge is applied to the front only.

Monitor cables that connect to the rear of the monitor, near the VESA plate, will not fit properly on the Eyesite Monitor Arm. Choose the FYI or CF Series of monitor arms.

Eyesite Dual Display Support



Certifications

Cradle to Cradle Certified - Silver

BIFMA Level 1

Sustainability

Recycled content 22% total, 17% post consumer, 5% pre-consumer, Recyclability – 99%

LEED Certification

This product may contribute to recycled content, regional materials, sustainable purchasing and innovation in design.

See Steelcase PEP sheets for more information

Steelcase

For further information, please go to the Steelcase website, steelcase.com
or call 888.783.3522

2016 Steelcase Inc. All rights reserved. 2/16