


Integrated Technologies Specification Guide

Availability

Electronic price list updated with release 182.A (U.S.) and 147.A (Canada), dated April 20, 2015.

Spec News is available on village.steelcase.com. Search AdStock and download the current release's Spec News.

View or download Steelcase Specification Guides at <http://www.steelcase.com/en/resources/design/spec-guides/pages/specguides.aspx>.

Transitional products in this specification guide are **maintained for existing customers only** and are likely to be phased out over time. These products are indicated with a . Products that are scheduled to be culled are indicated with an , followed by the last order entry date.

Working with This Specification Guide

Ten Tips: How to Get the Most Out of This Book	2
Additional Resources	4
Thought Starters	5

media:scape Tables	11
media:scape kiosk	67
media:scape mini and mobile	79
ScapeSeries Tables	91
media:scape Lounge	97
RoomWizard II	125
ēno Interactive Whiteboards and Accessories	133
Steelcase Certified Refurbished Products	149

Surface Materials	153
Resources	163

► For a list of all trademarks, refer to the last page of this specification guide.
© 2015 Steelcase Inc.



For Canadian Pricing

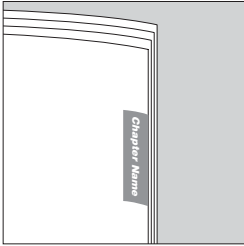
Canadian factor can be found at steelcase.com/CADpricing.

Calculate in the following order to avoid rounding errors:

- Multiply the base price and each option by the Canadian factor.
- Round each to the nearest dollar.
- Add base and options for total list price.

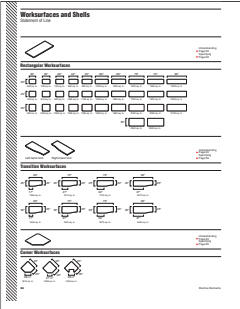
Ten Tips: How to Get the Most Out of This Book

Tip 1



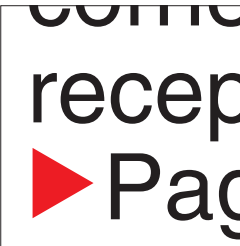
Watch the tabs on the right-hand edges of the pages. They'll always indicate which chapter you are in.

Tip 2



Use the Statement of Line pages for an overview of the available components, their sizes, and page references for additional information.

Tip 3



Find cross reference by looking for page numbers flagged with an arrow.

Tip 4

Study the product detail pages in the Understanding section to learn everything an expert knows about specific products. Each product detail page in this section contains the following features, where applicable:

- Product Drawing
- Actual Dimensions
- Product Details
- Connections
- Wiring and Cabling
- Surface Materials
- Application Topics

Product Drawing shows you what the product looks like and points out important features.

Product Details gives specific information on the product and how it is used.

Surface Materials lists what material is used for each part of the product.

Rectangular and Transition Panel-Supported Workspaces

Actual Dimensions

Model	Width	Depth	Height	Weight
1000	30 1/2"	47 1/2"	45"	80
1100	35 1/2"	47 1/2"	45"	107
1200	40 1/2"	47 1/2"	45"	134

Product Details

- Front edge of transition workspaces:** Includes transition top, bottom edge, and side edge.
- Control back:** Includes transition top, bottom edge, and side edge.
- Control front edge:** Includes transition top, bottom edge, and side edge.
- Product Details:** Includes transition top, bottom edge, and side edge.
- Connections:** Includes transition top, bottom edge, and side edge.
- Wiring & Cabling:** Includes transition top, bottom edge, and side edge.
- Surface Materials:** Includes transition top, bottom edge, and side edge.
- Application Topics:** Includes transition top, bottom edge, and side edge.

Actual Dimensions table lists the dimensions of the product.

Connections describes how the product is assembled or how it attaches to another product.

Wiring and Cabling details the cable-management and cable routing capabilities of the product.

Application Topics provides useful advice on how to apply the product.

Tip 5

Refer to the specifying pages for all the information needed to order a product. Each product specifying page contains a variety of elements to help you complete a specification:

- Product Drawing
- Standard Includes
- Required to Specify
- Options
- Related Products
- Specification Information
- Dimensions
- Style Number
- Price

Product Drawing shows you what the product looks like.

Standard Includes (under the dark grey band) provides a list of what comes standard with the product.

Required to Specify (under the dark grey band) itemizes the information that you must provide to order the standard product and the preferred sequence for specification.

Specification Information (under the light grey band) provides product dimensions, style numbers, and prices for the standard product and any surface material choices that are available.

Wood Veneer Rectangular Worksurfaces

Standard Includes
• Wood top
• Product details, page 000

Required to Specify
• Work surface material
• Product details, page 000

Options
• **Lock, keyed** (See page 000)
• **Alternative lock color on worksurface** (See page 000)
• **Keying** (See page 000)

Price
• \$150.00

Related to Specify
• **Keying**
• **Alternative lock color on worksurface**

Dimensions (D x W)	Style Number	Base Price (\$)	Options (\$)	Total Price (\$)
24" x 30"	EWR2430	150	0	150
24" x 36"	EWR2436	150	0	150
24" x 42"	EWR2442	150	0	150
30" x 30"	EWR3030	150	0	150
30" x 36"	EWR3036	150	0	150
30" x 42"	EWR3042	150	0	150
36" x 36"	EWR3636	150	0	150
36" x 42"	EWR3642	150	0	150
42" x 42"	EWR4242	150	0	150

Specifications
• Dimensions (D x W)
• Style Number
• Base Price
• Options
• Total Price

Wood Veneer Worksurfaces

Dimensions (D x W)	Style Number	Base Price (\$)	Options (\$)	Total Price (\$)
24" x 30"	EWR2430	150	0	150
24" x 36"	EWR2436	150	0	150
24" x 42"	EWR2442	150	0	150
30" x 30"	EWR3030	150	0	150
30" x 36"	EWR3036	150	0	150
30" x 42"	EWR3042	150	0	150
36" x 36"	EWR3636	150	0	150
36" x 42"	EWR3642	150	0	150
42" x 42"	EWR4242	150	0	150

Options
• **Lock, keyed** (See page 000)
• **Alternative lock color on worksurface** (See page 000)
• **Keying** (See page 000)

Related Products
• **Keying**
• **Alternative lock color on worksurface**

Product Drawing
• Shows you what the product looks like.

Standard Includes
• Wood top
• Product details, page 000

Required to Specify
• Work surface material
• Product details, page 000

Options
• **Lock, keyed** (See page 000)
• **Alternative lock color on worksurface** (See page 000)
• **Keying** (See page 000)

Price
• \$150.00

Related to Specify
• **Keying**
• **Alternative lock color on worksurface**

Options (under the black band) lists all the options that apply to the product, their price, and what is required to specify.

Related Products provide specification information for products that are directly related.

Tip 6

Wood Veneer Rectangular Worksurfaces

Standard Includes
• Wood top
• Product details, page 000

Options
• **Lock, keyed** (See page 000)
• **Alternative lock color on worksurface** (See page 000)
• **Keying** (See page 000)

Price
• \$150.00

Required to Specify
• **Keying**
• **Alternative lock color on worksurface**

Italic typeface on specifying pages usually identifies wording that you should use in your order.

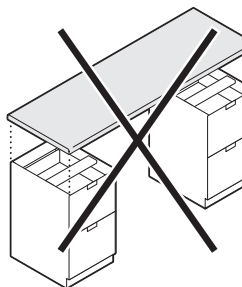
i

Tip 7

Wiring & Cabling Cable-management choices to allow wires and cables to pass through worksurface include three-piece grommets, 4"-square grommets, continuous channel grommet, and cord catcher. *Tip: You can specify only one type of cable-management option on a single worksurface.*

Watch for tips throughout the text that give you explanations and helpful instructions.

Tip 8



Learn what you cannot do by looking for drawings crossed out with an "X."

Tip 9

Use the surface materials listings in the Surface Materials section of this book to find surface material color numbers. **► Page 153**

Tip 10

Style Number	Page
2256-P	308
32WCP	265
4942	308
87-7102002	331
87-7102003	331
88-PS	194

Refer to the style number index when you know a style number and you need to find the page that has more details about the product. **► Page 166**

Additional Resources

Integrated Technologies products are supported with informational materials, tools, and software to help you plan, specify, and order an installation efficiently.

Printed Materials

Other Specification Guides

Steelcase offers a comprehensive portfolio of furniture and solutions. For the full offering of products, refer to the individual product specification guides. These can be accessed at the www.steelcase.com web site or at village.steelcase.com.

Computer Tools

Electronic Catalog

Accurate sales quotations and purchase orders for Steelcase products are created with specification software that uses Steelcase Electronic Catalog data. Use the data to specify and price style numbers and options for every Steelcase product. The data is updated bimonthly by Steelcase and provided to software programs including: the Hedberg Business System, SmartTools—Steelcase's design and specification software (for more information on SmartTools, please email SmartTools@steelcase.com), the ProjectMatrix Project Symbols libraries, as well as 20-20 CAP Studio.

Furniture Symbol Graphic Data

Steelcase creates 2D and 3D furniture symbols (with attributes) for planning and initially specifying Steelcase products. This data is incorporated into several add-on software packages that work in either a Microstation or an AutoCAD drafting environment.



Digital Publications

If your device has a bar code reader App, scan this QR code for a direct link to the online digital publications. Utilizing this QR code allows you to search across multiple specification guides, share across social media, or print out pages. You can also access these digital publications at www.steelcase.com or village.steelcase.com.

Support

Steelcase Capabilities

Steelcase products are distributed, installed, and serviced through a network of more than 600 dealers worldwide. Steelcase is also represented with offices and corporate showrooms in 26 U.S. cities, 4 Canadian cities, and in France, Germany, Great Britain, and Japan. Every Steelcase product meets our exceptionally high standards of quality and durability and comes with the Steelcase assurance of excellence in service.

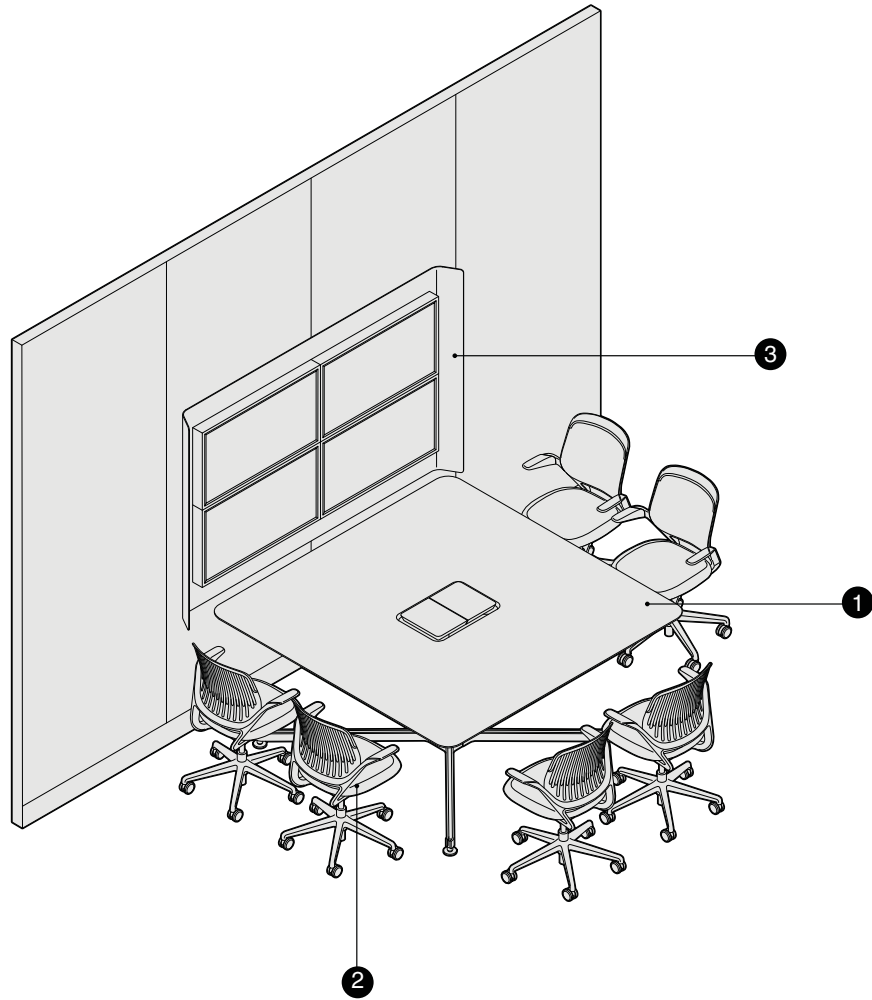
For assistance, please call your local dealer, the Steelcase Solutions Resource Team, or the Steelcase Solutions Fulfillment Team at 1.888.STEELCASE (1.888.783.3522) or send an e-mail to lineone@steelcase.com.

Call the Steelcase Solutions Resource Team prior to placing an order, when working on a bid, or when you need information about product applications and specifications.

Call the Steelcase Solutions Fulfillment Team if you have submitted an order to Steelcase and you need to speak to your Solutions Fulfillment Team Representative about the order. Also call if you have any post-shipment quality or warranty concerns or service parts questions.

Outside the U.S.A., Canada, Mexico, Puerto Rico, and the U.S. Virgin Islands, call 1.616.247.2500.

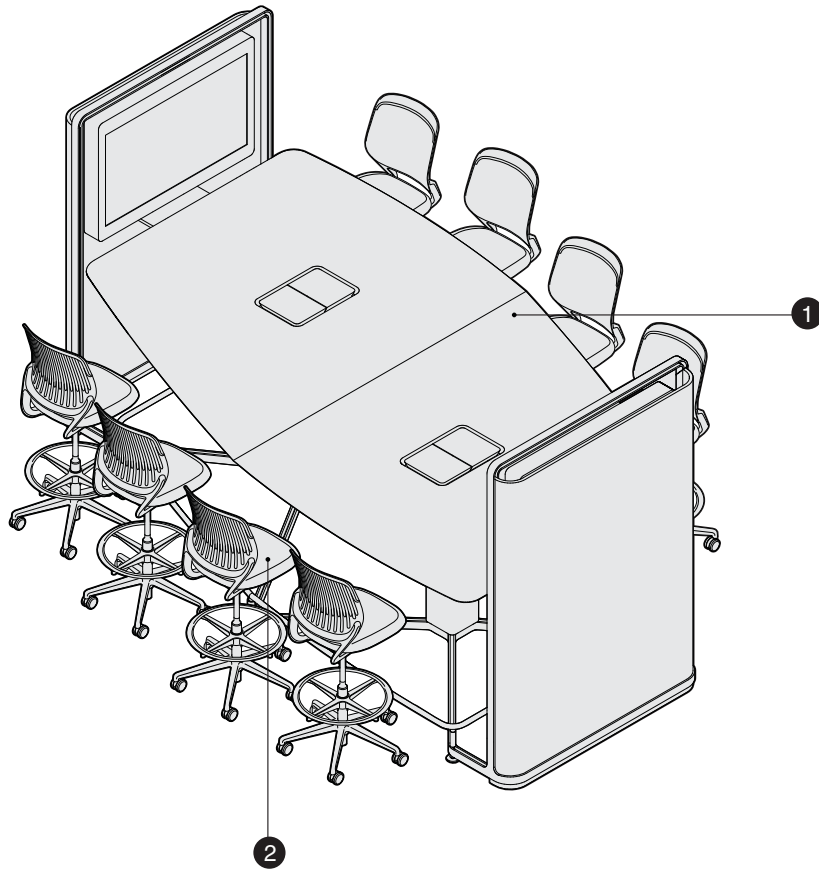
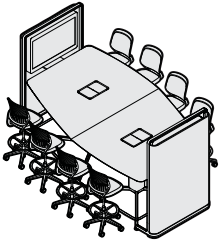
For information about Steelcase, the name of your nearest Steelcase dealer, or for product literature, call 1.800.333.9939 or visit our Web site: www.steelcase.com.



media:scape Thought Starter 1

Recommended Components

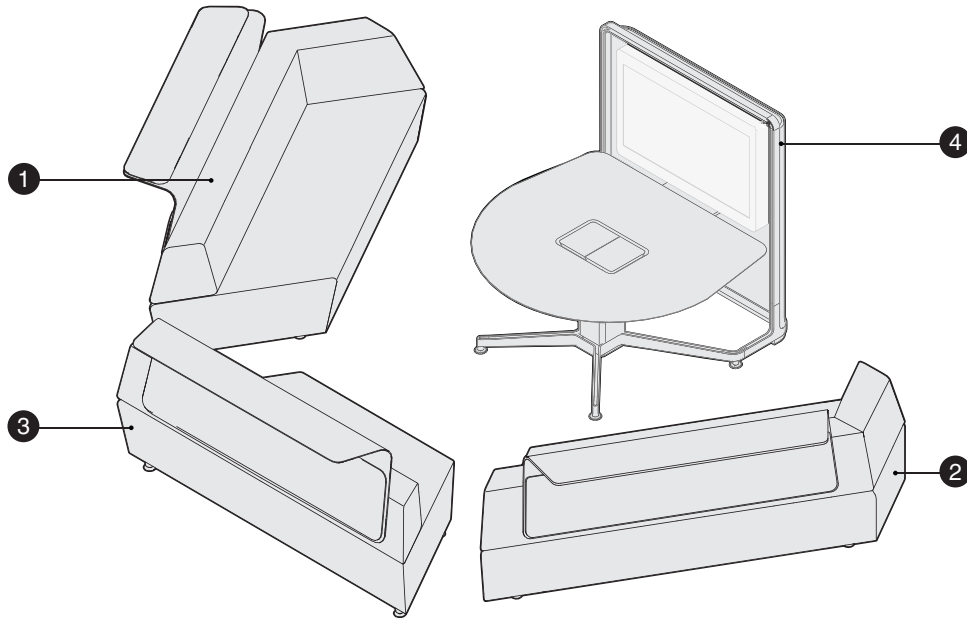
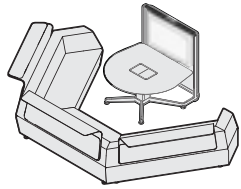
	Quantity	Style Number	Description
1	1	MT02DS6060	Desk-Height Square Table
2	6	434111	cobi Chairs
3	1	MTSWQ32	Quad 32" Monitor Shroud
	3	MT02SC169	Scaler



media:scape Thought Starter 2

Recommended Components

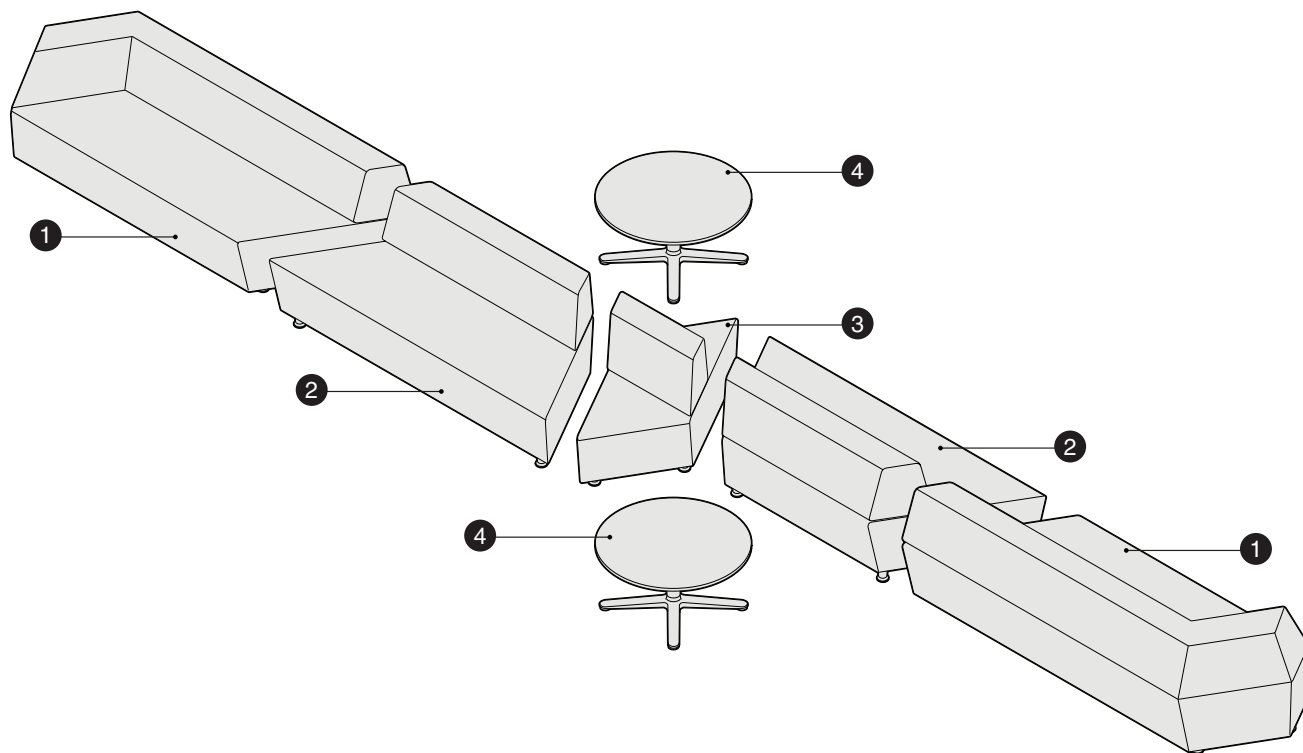
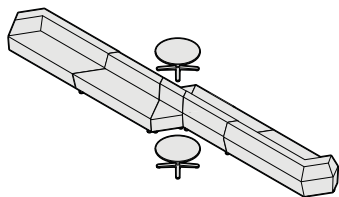
	Quantity	Style Number	Description
1	1	MT02SF12076T	Offset Stool-Height Table With Attached Totem
2	8	434711	cobi Stools



media:scape TeamTheatre Thought Starter 3

Recommended Components

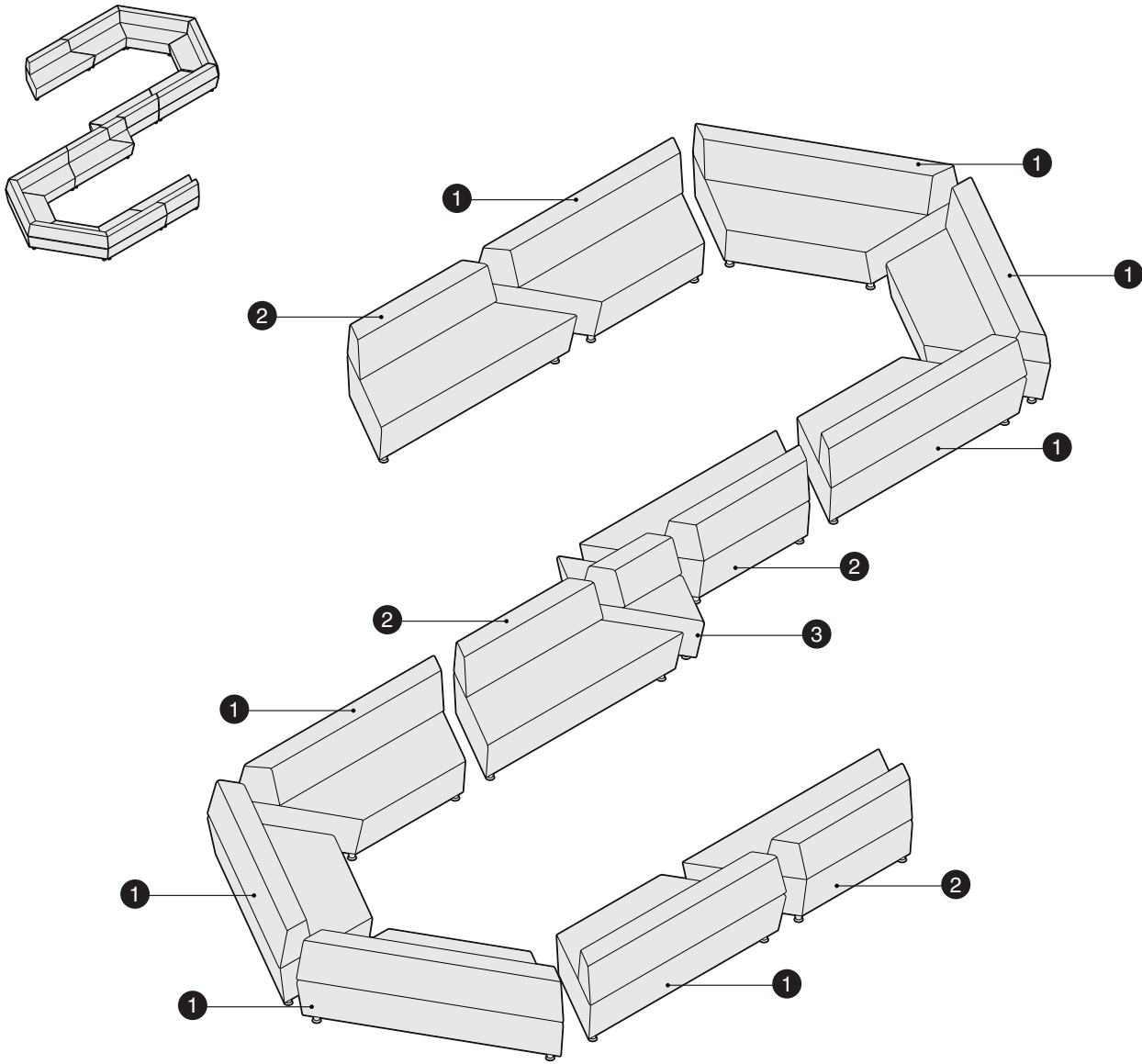
	Quantity	Style Number	Description	Option
1	1	MLLCS	Left Corner Lounge	Ledge
2	1	MLRCS	Right Corner Lounge	Ledge
3	1	MLSTS	Straight Lounge	Ledge
4	1	MT02LP4854T	Pear-Shaped Lounge Table With Attached Totem	



media:scape Thought Starter 4

Recommended Components

	Quantity	Style Number	Description
1	2	MLRCS	Right Corner Lounge
2	2	MLSIS	Straight Inverted Lounge
3	1	MLRLS	Left Reverse Lounge
4	2	CQCT1632	Collaborative Lounge Table



media:scape Thought Starter 5

Recommended Components

	Quantity	Style Number	Description
①	8	MLSTS	Straight Lounge
②	4	MLSIS	Straight Inverted Lounge
③	1	MLRLS	Left Reverse Lounge

Understanding and Specifying media:scape Tables

Statement of Line	12
--------------------------	-----------

Product Details

media:scape Tables	16
media:scape TeamStudio	18
media:scape Table – Wiring and Cabling	20
media:scape Table – Data Cable Routing	23
Under the Hood – media:scape Table	24
media:scape Digital Upgrade Package	26
Dimensions – media:scape Tables	28
media:scape Features Comparison	30
Wall-Mounted Shrouds	31
Camera Ledges	32
CODEC Cases	33
media:scape PUCKs	34
media:scape Virtual PUCK	36
Dimensions–media:scape Wall-Mounted Shrouds	38

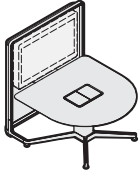
Specifying

Lounge-Height Tables	42
Desk-Height Tables	44
Stool-Height Tables	48
Cable Track for media:scape TeamStudio	53
Seismic Anchor Brackets	54
Wall-Mounted Shrouds	56
Video Conferencing Components	58
Electronics	60
media:scape Digital Upgrade Package	61
media:scape PUCKs	62
media:scape Virtual PUCK	63
Steelcase Application Server	64
media:scape Analog PUCKs	65

Statement of Line

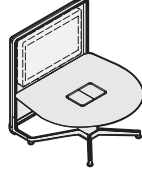
media:scape Tables

Lounge-Height Tables



Small D-Shaped Lounge-Height Table with Attached Totem

Understanding
▶ Page 16
Specifying
▶ Page 42



Pear-Shaped Lounge-Height Table with Attached Totem

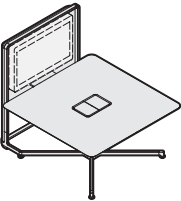
Understanding
▶ Page 16
Specifying
▶ Page 42



Round Lounge-Height Table

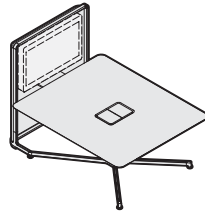
Understanding
▶ Page 16
Specifying
▶ Page 42

Desk-Height Tables



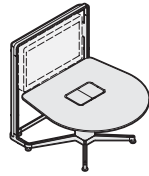
Square Desk-Height Table with Attached Totem

Understanding
▶ Page 16
Specifying
▶ Page 44



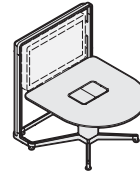
Rectangular Desk-Height Table with Attached Totem

Understanding
▶ Page 16
Specifying
▶ Page 44



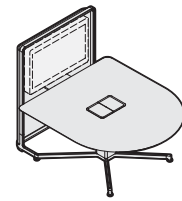
Pear-Shaped Desk-Height Table with Attached Totem

Understanding
▶ Page 16
Specifying
▶ Page 44



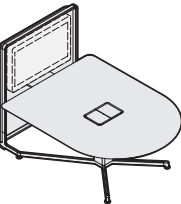
Small D-Shaped Desk-Height Table with Attached Totem

Understanding
▶ Page 16
Specifying
▶ Page 44



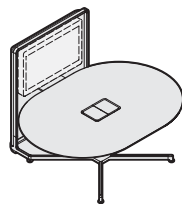
Medium D-Shaped Desk-Height Table with Attached Totem

Understanding
▶ Page 16
Specifying
▶ Page 44



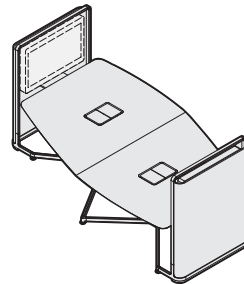
Large D-Shaped Desk-Height Table with Attached Totem

Understanding
▶ Page 16
Specifying
▶ Page 44



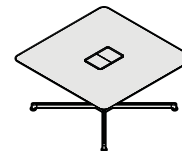
Capsule Desk-Height Table with Attached Totem

Understanding
▶ Page 16
Specifying
▶ Page 44



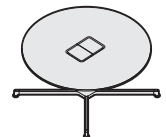
Offset Desk-Height Table with Attached Totems

Understanding
▶ Page 16
Specifying
▶ Page 44



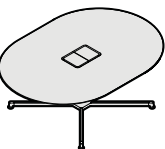
Square Desk-Height Table

Understanding
▶ Page 16
Specifying
▶ Page 44



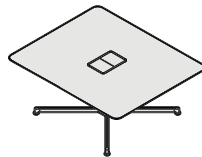
Round Desk-Height Table

Understanding
▶ Page 16
Specifying
▶ Page 44



Capsule Desk-Height Table

Understanding
▶ Page 16
Specifying
▶ Page 44



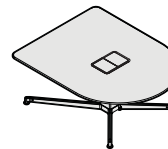
Rectangular Desk-Height Table

Understanding
▶ Page 16
Specifying
▶ Page 44



Medium D-Shaped Desk-Height Table

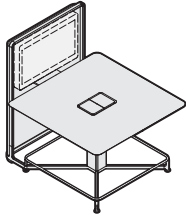
Understanding
▶ Page 16
Specifying
▶ Page 44



Large D-Shaped Desk-Height Table

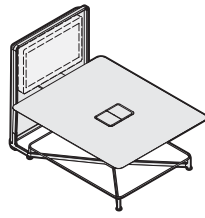
Understanding
▶ Page 16
Specifying
▶ Page 44

Stool-Height Tables



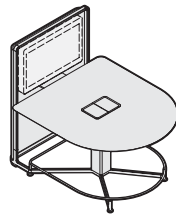
Square Stool-Height Table with Attached Totem

Understanding
 ▶ Page 16
 Specifying
 ▶ Page 48



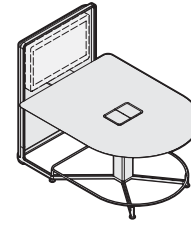
Rectangular Stool-Height Table with Attached Totem

Understanding
 ▶ Page 16
 Specifying
 ▶ Page 48



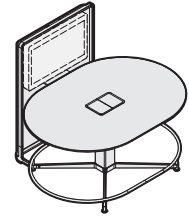
Medium D-Shaped Stool-Height Table with Attached Totem

Understanding
 ▶ Page 16
 Specifying
 ▶ Page 48



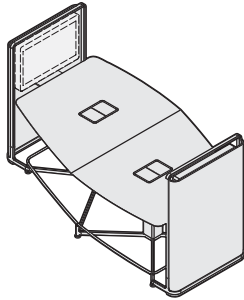
Large D-Shaped Stool-Height Table with Attached Totem

Understanding
 ▶ Page 16
 Specifying
 ▶ Page 48



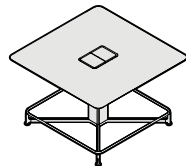
Capsule Stool-Height Table with Attached Totem

Understanding
 ▶ Page 16
 Specifying
 ▶ Page 48



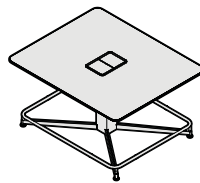
Offset Stool-Height Table with Attached Totem

Understanding
 ▶ Page 16
 Specifying
 ▶ Page 48



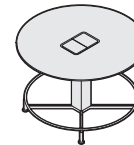
Square Stool-Height Table

Understanding
 ▶ Page 16
 Specifying
 ▶ Page 48



Rectangular Stool-Height Table

Understanding
 ▶ Page 16
 Specifying
 ▶ Page 48



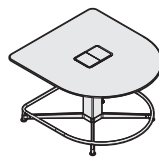
Round Stool-Height Table

Understanding
 ▶ Page 16
 Specifying
 ▶ Page 48



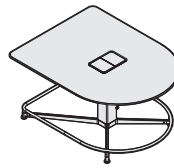
Capsule Stool-Height Table

Understanding
 ▶ Page 16
 Specifying
 ▶ Page 48



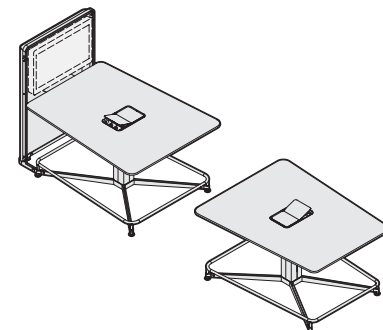
Medium D-Shaped Stool-Height Table

Understanding
 ▶ Page 16
 Specifying
 ▶ Page 48



Large D-Shaped Stool-Height Table

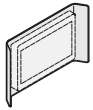
Understanding
 ▶ Page 16
 Specifying
 ▶ Page 48



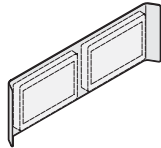
TeamStudio Table

Understanding
 ▶ Page 18
 Specifying
 ▶ Page 52

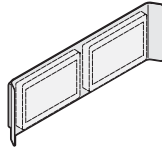
Statement of Line, continued
media:scape Tables



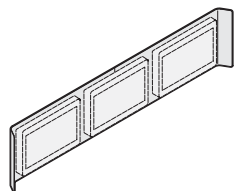
Wall-Mounted Single Monitor Shroud



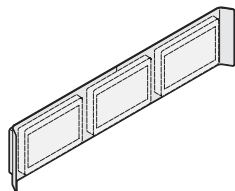
Wall-Mounted Dual Monitor Shroud



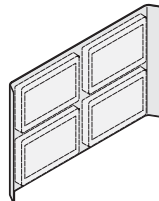
Wall-Mounted Dual Monitor Shroud with CODEC Case



Wall-Mounted Triple Monitor Shroud



Wall-Mounted Triple Monitor Shroud with CODEC Case



Wall-Mounted Quad Monitor Shroud

Understanding
▶ Page 31
Specifying
▶ Page 56

Wall-Mounted Shrouds

	32"	42"	46"	55"	65"
Single Monitor Shroud	●	●	●	●	●
Dual Monitor Shroud	●	●	●	●	●
Dual Monitor Shroud with CODEC Case		●	●		
Triple Monitor Shroud	●	●	●	●	●
Triple Monitor Shroud with CODEC Case		●	●		
Quad Monitor Shroud	●	●			

Camera Ledges



Shroud-Mounted Camera Ledge

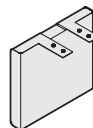
Understanding
▶ Page 32
Specifying
▶ Page 59



Totem-Mounted Camera Ledge

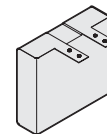
Understanding
▶ Page 32
Specifying
▶ Page 59

CODEC Cases



2 1/2" CODEC Case

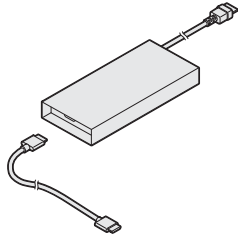
Understanding
▶ Page 33
Specifying
▶ Page 59



5 1/2" CODEC Case

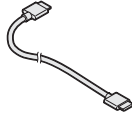
Understanding
▶ Page 33
Specifying
▶ Page 59

Electronics



Scaler

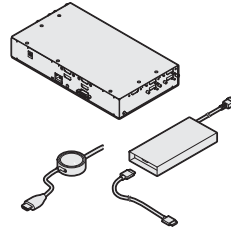
Understanding
 ▶ Page 20
 Specifying
 ▶ Page 60



HDMI Cables

Understanding
 ▶ Page 20
 Specifying
 ▶ Page 60

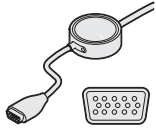
media:scape Digital Upgrade Package



Digital Upgrade Package

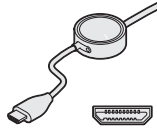
Understanding
 ▶ Page 26
 Specifying
 ▶ Page 61

media:scape PUCKs



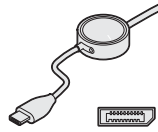
VGA

Understanding
 ▶ Page 34
 Specifying
 ▶ Page 62



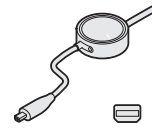
HDMI

Understanding
 ▶ Page 34
 Specifying
 ▶ Page 62



DisplayPort

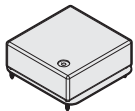
Understanding
 ▶ Page 34
 Specifying
 ▶ Page 62



mini DisplayPort

Understanding
 ▶ Page 34
 Specifying
 ▶ Page 62

media:scape Virtual PUCK



Virtual PUCK

Understanding
 ▶ Page 36
 Specifying
 ▶ Page 63

media:scape Tables

media:scape tables support small team, collaborative meeting spaces. The tables are offered in three heights to facilitate collaborative work in multiple postures. They allow users to share information through integrated technologies displays and facilitate a seamless flow of information during meetings.

► Specifying, page 42

media:scape tables are available in three table heights: 23"H lounge-height, 28½"H desk-height, and 38"H stool-height. Surfaces are 1¾" thick with a wood core and are supported by a column structure. All surfaces are available in laminate or veneer and come standard with a knife edge.

Lounge-height tables are available in three shapes: round, D-shaped, and pear. The D-shaped and pear tables include a totem.

Desk-height and stool-height tables are available in nine shapes: square, rectangle, pear, round, small D-shaped, medium D-shaped, large D-shaped, capsule, offset, and TeamStudio (stool-height only). All are offered with an attached totem, except round.

Offset tables have a two-piece top which comes standard with two totems, one on each end of the table.

Totem is available in three finishes. Totems may be attached to all media:scape tables except round. The totem supports one flat screen monitor with an option to support two. An infill must be specified and is available in painted aluminum.

Surfaces are available in both laminate and veneer.

Monitors must be CEC compliant with an HDMI input. It is recommended that the monitor be commercial grade or equivalent.

One scaler is standard for a single monitor. Two scalers are standard for dual monitors. Additional scalers can also be ordered separately, to facilitate up to four displays.

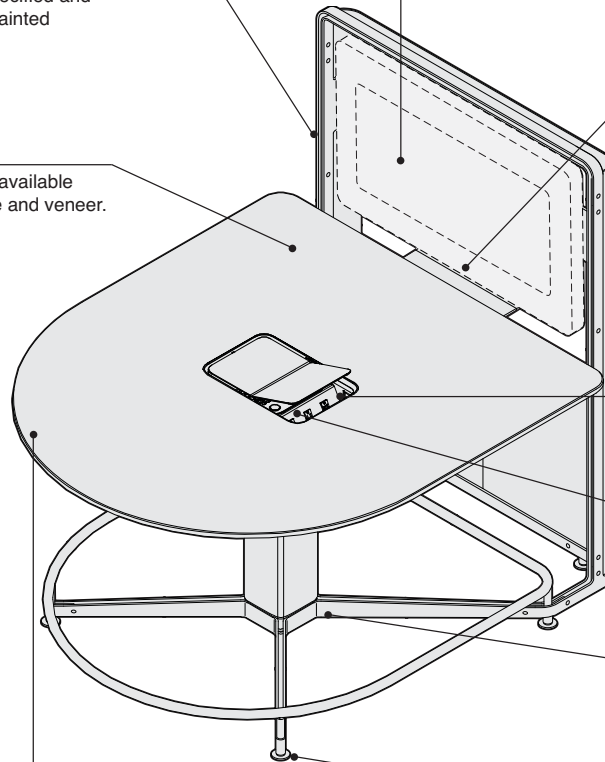
Media well houses power receptacles, data ports, a power button, PUCKs, and has a hinged cover.

PUCK (*Personal User Control Key*) enables the seamless flow of information between team members.

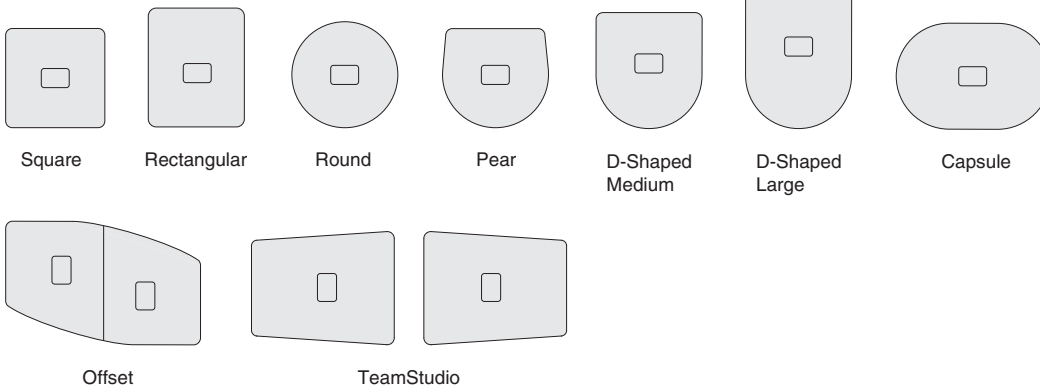
► See page 34

Base is available in three finishes and includes a column and legs. A stainless steel foot ring is standard on the stool-height tables.

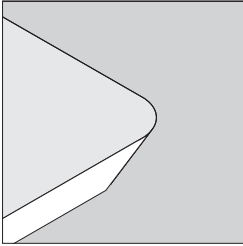
Glides provide 1" of adjustment for leveling.



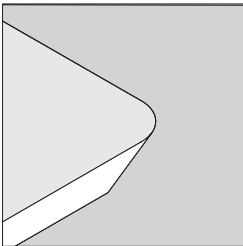
Profile surfaces have a 3 mm edge banding along all sides.



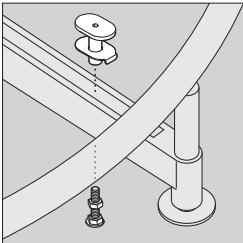
Product Details



Laminate surface edges are plastic and finish selection is available.
 ▶ See *Recommended Surface Edge Finishes*, page 161, for recommendations.



Veneer surface edges are veneer and match the top surface.



Seismic anchor brackets secure the media:scape leg to the floor in seismic zones or in settings that need to be permanently attached to the floor. Brackets are ordered separately in a package of two (two packages should be ordered per table).
 ▶ See page 54.

To secure a monitor to media:scape, a locking mechanism can be ordered from an external supplier such as PDR (pdrmounts.com/pdr2/) model number PDM-0108.

Steelcase Maintenance Agreement

media:scape tables include a one year Steelcase maintenance agreement to provide an enhanced support system for media:scape settings with digital components. The maintenance agreement covers:

- software/firmware enhancements
- expedited shipping for hardware replacements
- prioritized technical support

Maintenance agreement renewal options are available for one, two, and three year periods.
 ▶ Specifying, page 164

Power and Data

Power is included.

Wires can be housed in the column media well.

Surface Materials

Surface

- Laminate
- Wood veneer

Edge

- Plastic – laminate surfaces
- Wood veneer – wood veneer surfaces

Base

- Paint

Column

- Painted to match base

Media well covers

- Painted to match base

Totem frame

- Painted to match base

Totem infill

- Painted aluminum

Foot ring

- Stainless steel

media:scape TeamStudio

media:scape

TeamStudio is designed for active project teams collaborating on video. The tables are offered in stool-height to optimize for video sight lines and for multiple work modes. media:scape TeamStudio facilitates the sharing of both digital and analog information, while amplifying project team collaboration for both sides of the video conference.

► Specifying, page 52

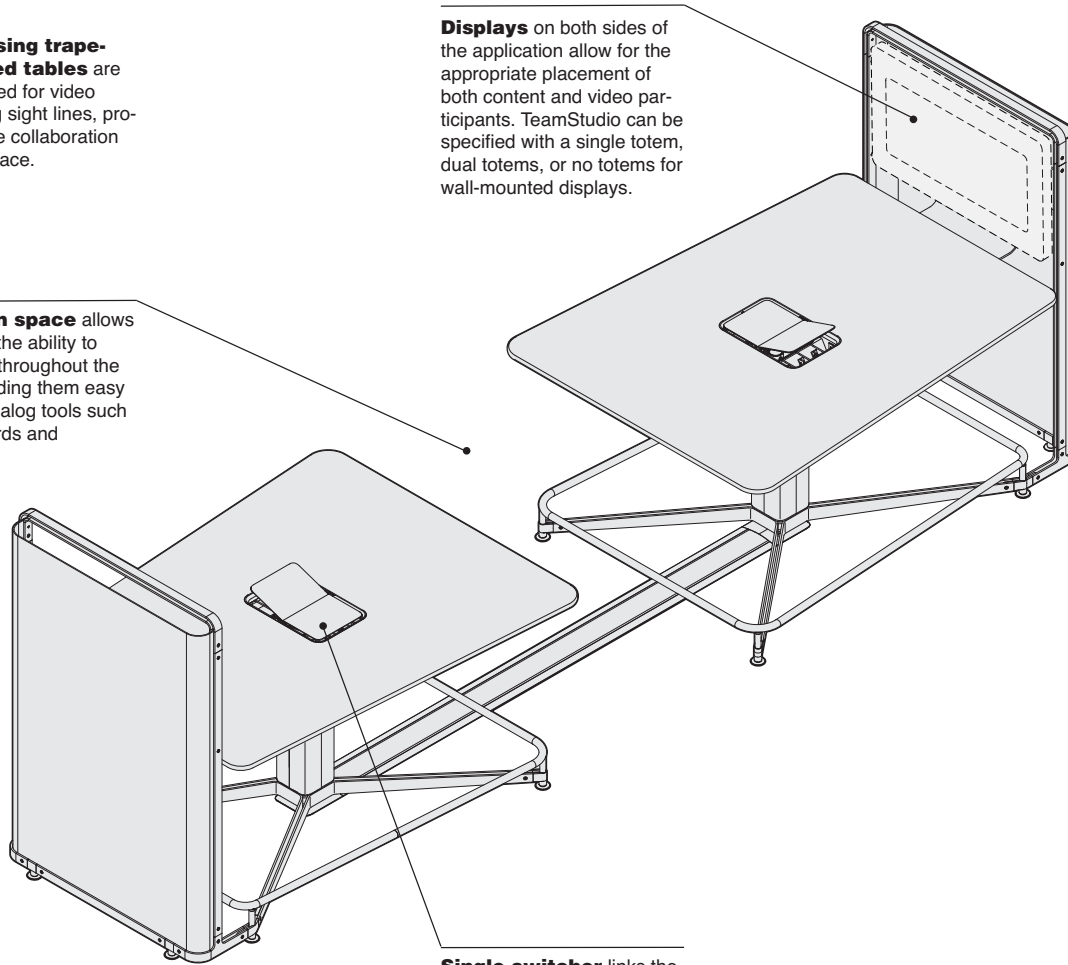
Two opposing trapezoid-shaped tables

are both optimized for video conferencing sight lines, promoting active collaboration within the space.

Circulation space allows participants the ability to move freely throughout the space, providing them easy access to analog tools such as whiteboards and flipcharts.

Displays on both sides of the application allow for the appropriate placement of both content and video participants. TeamStudio can be specified with a single totem, dual totems, or no totems for wall-mounted displays.

Single switcher links the two tables to act as a single media:scape table. PUCKs from either table can be used to share to the media:scape displays.



Product Details

Extension cables for media:scape TeamStudio are provided and can be routed through the floor (raised floor or cored) or via an optional cable track.

CODEC case and camera ledge should be specified to accommodate video conferencing applications.

Steelcase Maintenance Agreement

media:scape TeamStudio includes a one year Steelcase maintenance agreement to provide an enhanced support system for media:scape settings with digital components. The maintenance agreement covers:

- software/firmware enhancements
- expedited shipping for hardware replacements
- prioritized technical support

Maintenance agreement renewal options are available for one, two, and three year periods.

- ▶ Specifying, page 164

media:scape Table — Wiring and Cabling

Attached Display

Scaler insures consistent image resolution to the displays.

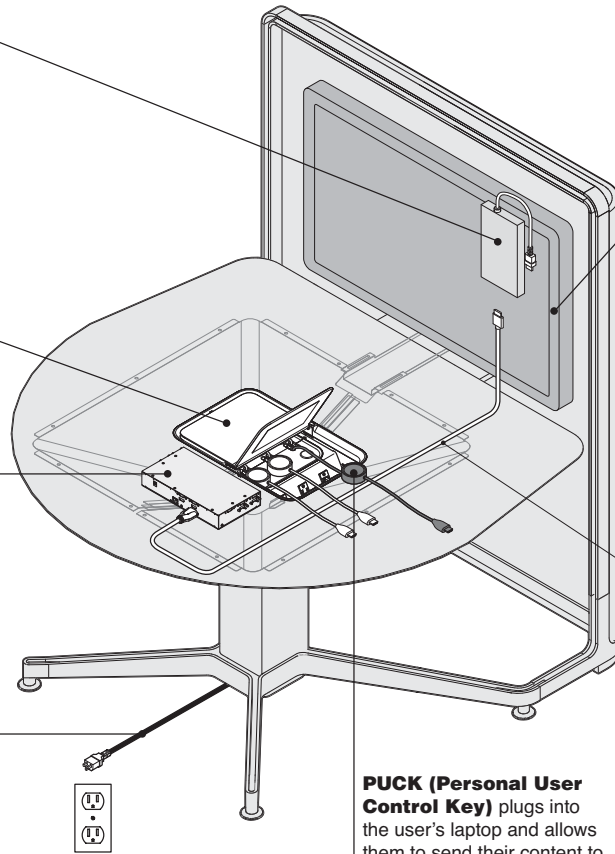
Media well stores PUCKs when not in use and provides power receptacles. Data ports can be added if desired.
▶ See page 23

The switcher connects to the PUCKs, and controls which user's laptop content is shown on the display(s). Up to four displays, either monitors or projectors, can be accommodated.

The switcher sends the signal to the scaler through the HDMI cable.

A 7' power cord exits the base of the column and can be plugged into the floor or wall.

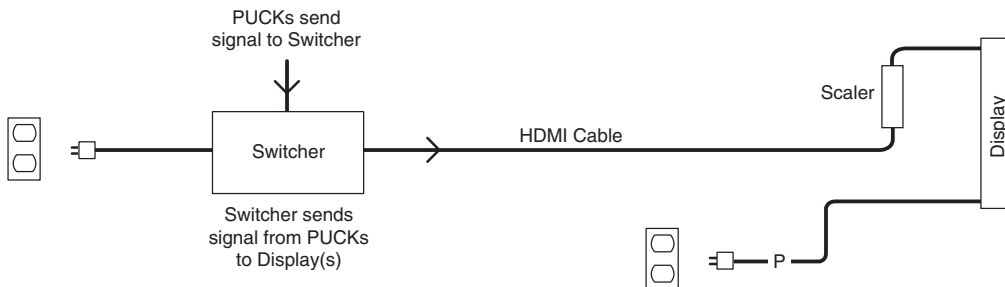
For power management, the media:scape setting will automatically go into standby mode when media:scape is not in use. The system can be reactivated by simply connecting a device to one of the PUCKs.



PUCK (Personal User Control Key) plugs into the user's laptop and allows them to send their content to the display by touching an illuminated display number. PUCKs are available in VGA, HDMI, DisplayPort, and mini DisplayPort connectors.

HDMI cable receives information from the switcher and sends that information to the scaler. *Note: When integrating with video conferencing, an additional HDMI cable and scaler is required.*

Sequence



Legend

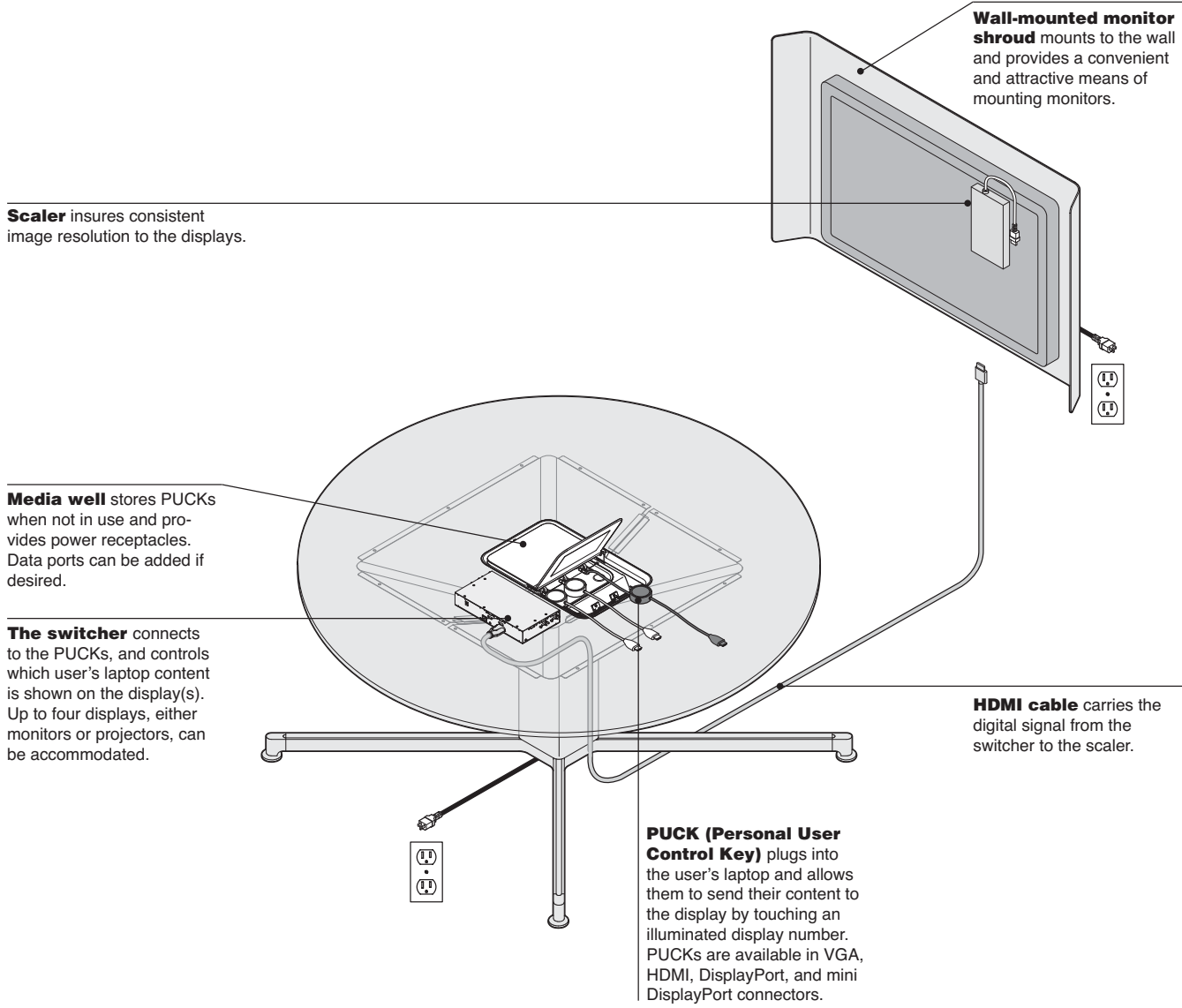
P = Power

media:scape Table — Wiring and Cabling

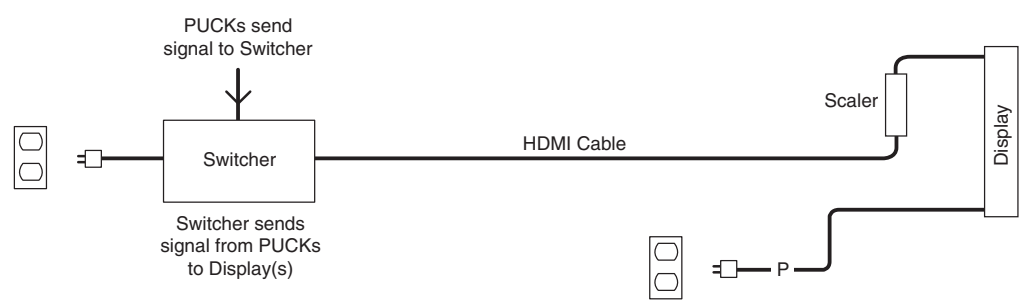
media:scape Table —
Wiring and Cabling

Detached Display

media:scape
Tables



Sequence

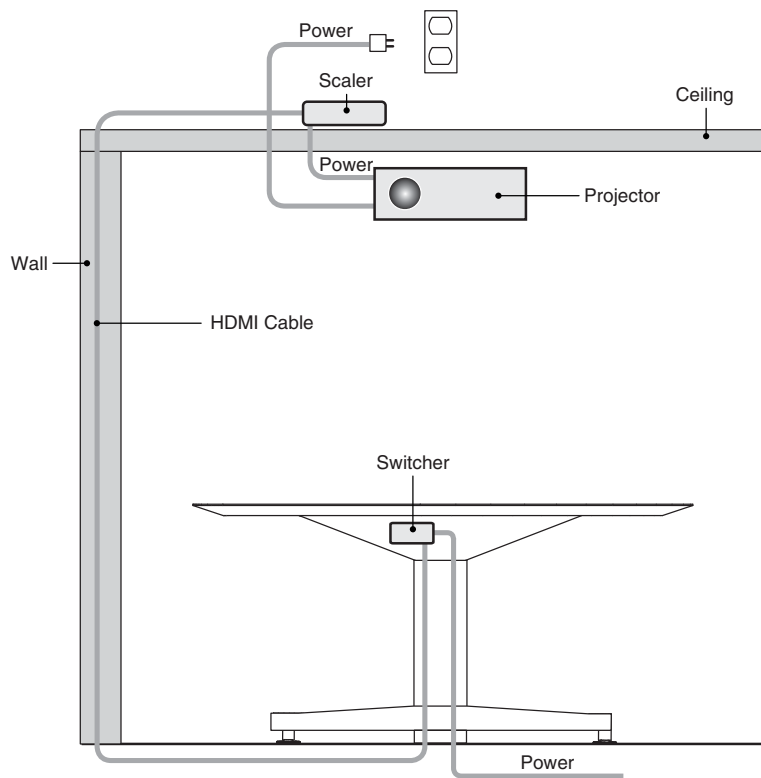


Legend

P = Power

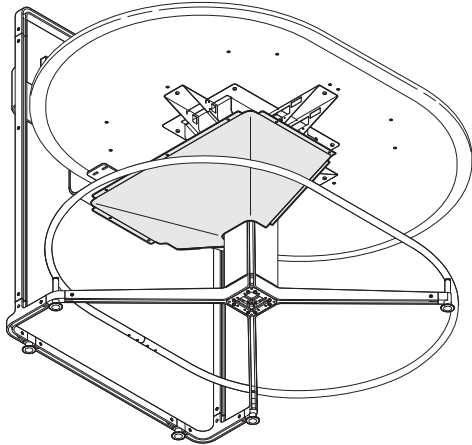
media:scape Table — Wiring and Cabling

With Projector

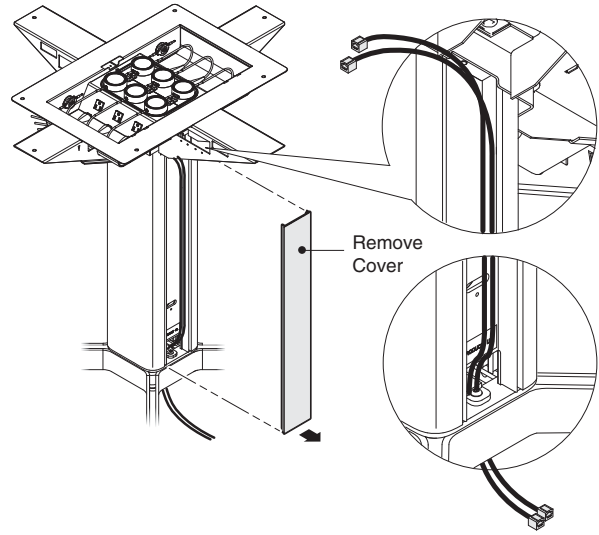


media:scape Table — Data Cable Routing

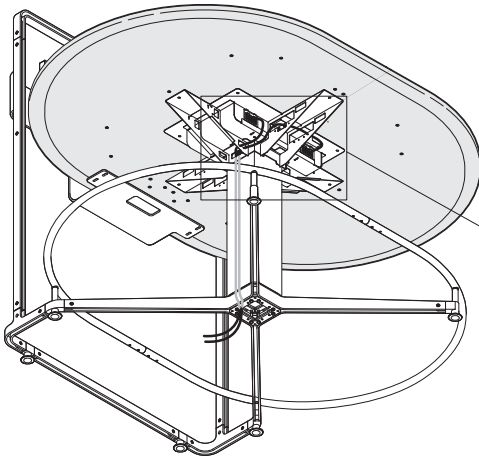
Data cables can be routed up through the column and connected to the data jacks housed in the media well.



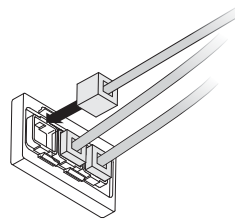
1. Remove covers.



2. Route cables.

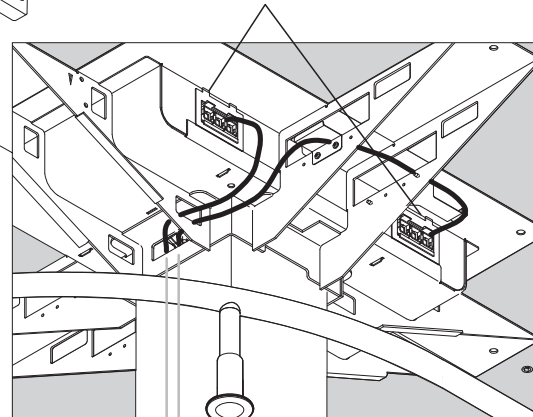


3. Plug in data cables.



CommScope black faceplates
M13C-003 (included)

Note: The faceplates can be removed and replaced with other standard faceplates. The faceplate opening size is 1.38"H. x 2.71"W.



media:scape - well

4. Replace covers.

Under the Hood

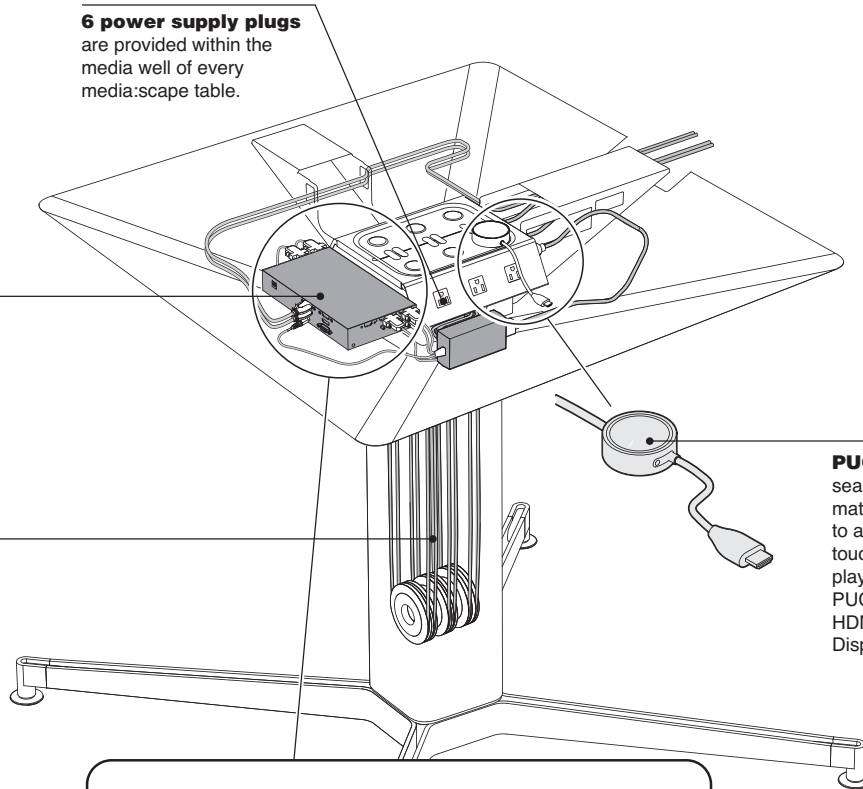
media:scape Table

6 power supply plugs are provided within the media well of every media:scape table.

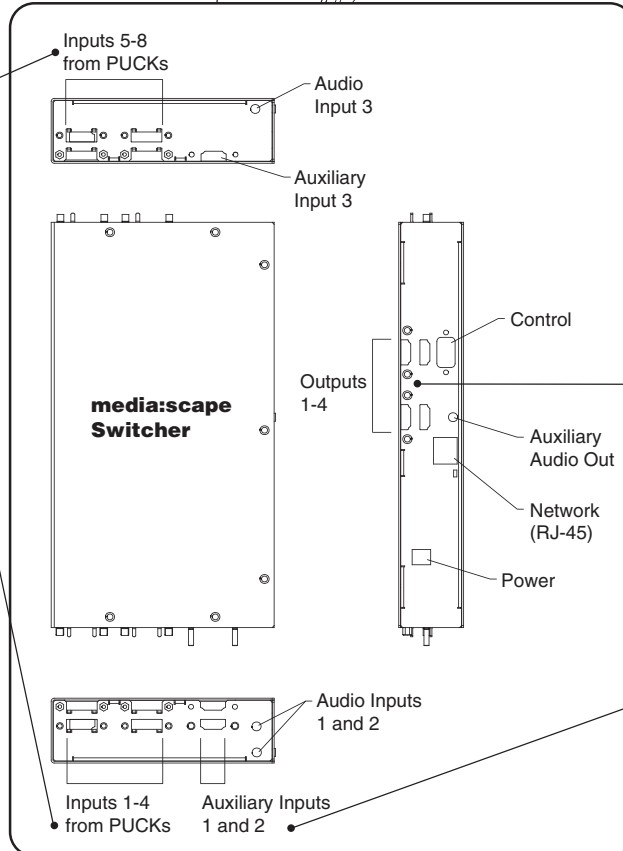
media:scape switcher includes 8 input ports to connect to the PUCKs and 4 output ports for monitors or projectors.

Integrated pulley system allows PUCKs to be fully retracted into the media well to manage cables and stow PUCKs safely when not in use.

PUCK enables the user to seamlessly switch the information displayed on a laptop to a monitor or projector by touching an illuminated display number on the PUCK. PUCKs are available in VGA, HDMI, DisplayPort, and mini DisplayPort connectors.

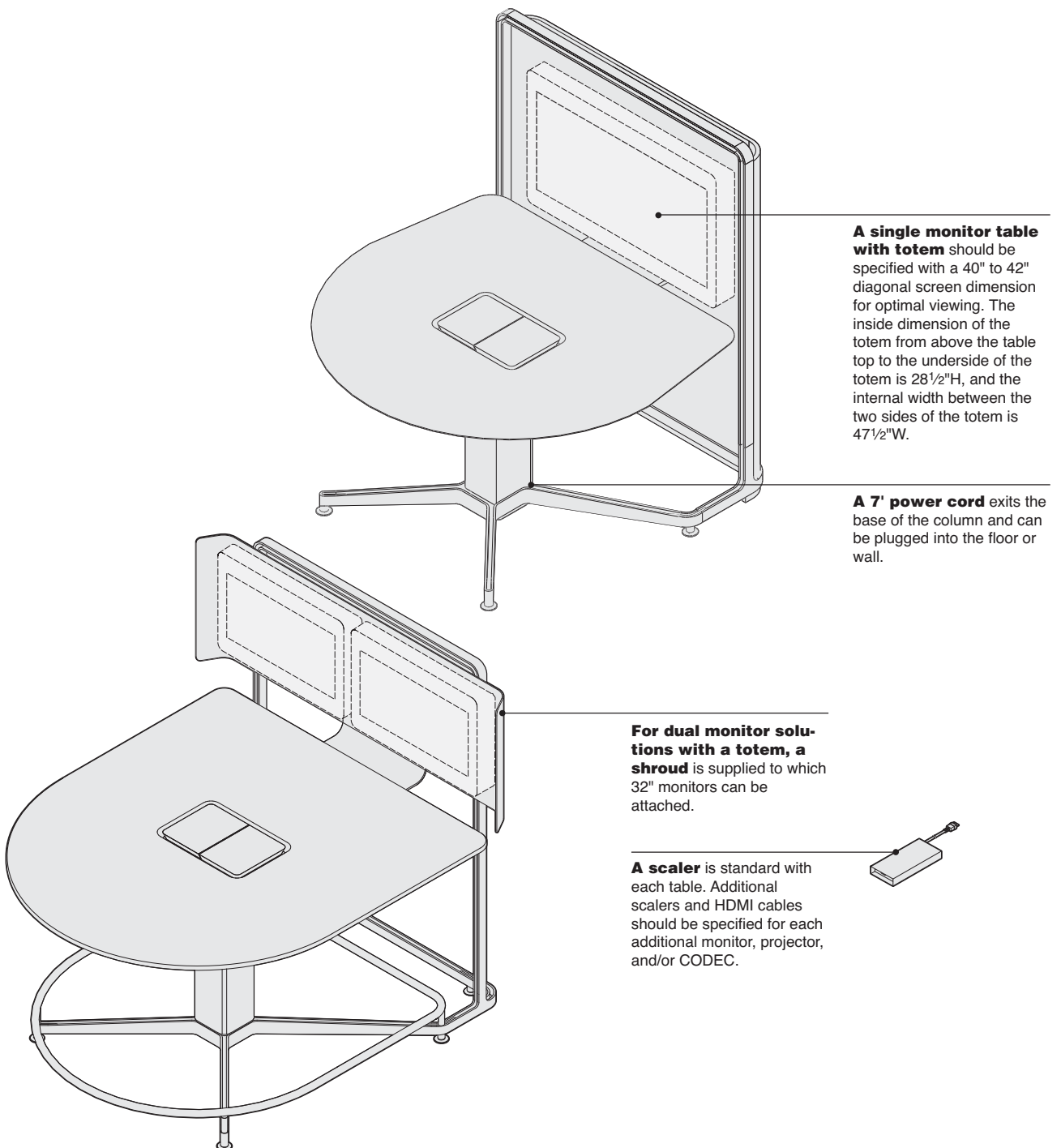


Inputs 1-4 and inputs 5-8 support up to eight PUCKs that can be connected to the media:scape switcher. Although they look like HDMI cable inputs, plugging standard HDMI cables into these sockets can harm the switcher.



Switcher outputs are the output jacks to the monitors and projectors. The switcher can handle up to four output displays via HDMI cables.

A media:scape table provides two specialized audio/video inputs. For integration with video conferencing, cable television, document cameras, and other devices, please refer to switcher user manual.



media:scape hosts video conferencing solutions in two ways:

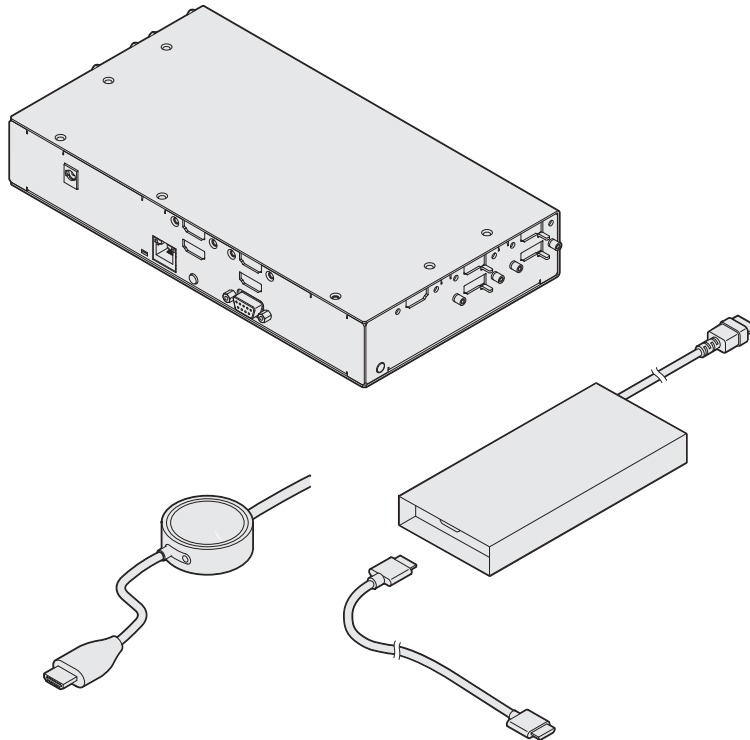
- 1. Using a webcam with a laptop** in combination with a collaborative software program.
- 2. Using a video conference system** that plugs into the media:scape switcher input number 9; allowing laptop information to be shared when collaborating between local and remote sites.

Note: An additional HDMI cable and scaler is needed to host a video conferencing system.

media:scape Digital Upgrade Package

media:scape digital upgrade package allows customers with the original media:scape analog technology components to upgrade their media:scape table to digital technology. The digital upgrade package includes everything necessary to upgrade a media:scape table (four, six, or eight PUCK tables with single or dual displays). The package also includes a one year maintenance agreement and a return and recycling program that allows customers to return their original analog technology components to Steelcase for a credit. See village.steelcase.com for more information.

► Specifying, page 61



Product Details

Digital upgrade package includes:

- Digital switcher - 1
- Digital PUCKs - 4, 6, or 8
- Digital scaler and HDMI cable(s) – 1 or 2
- Steelcase maintenance agreement – 1 Year
- Return label and packaging (for analog technology return and recycling program)

Note: HDMI monitor extension cables are intended for use with attached totem applications. For wall mounted monitor applications, HDMI monitor extension cables will need to be specified separately.

Steelcase Maintenance Agreement

media:scape digital upgrade package

includes a one year Steelcase maintenance agreement to provide an enhanced support system for media:scape settings with digital components. The maintenance agreement covers:

- software/firmware enhancements
- expedited shipping for hardware replacements
- prioritized technical support

Maintenance agreement renewal options are available for one, two, and three year periods.

► Specifying, page 164

Dimensions

media:scape Tables

Features	Overall Width	Overall Length	Table Width	Table Length	Table Height	Totem Width	Totem Height	Totem Canopy Height
----------	---------------	----------------	-------------	--------------	--------------	-------------	--------------	---------------------

media:scape Tables

Lounge-Height Tables

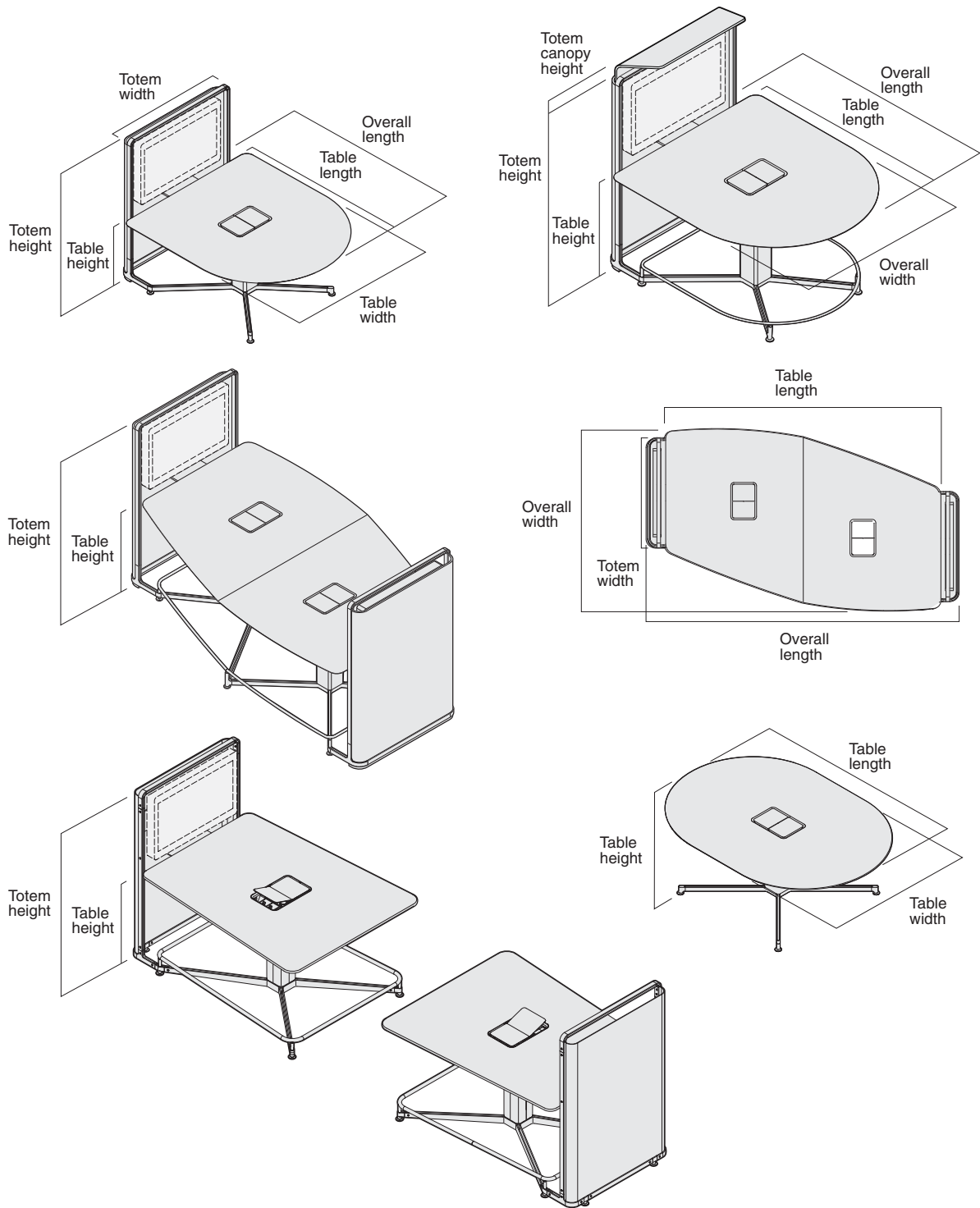
Round	54"	N.A.	54"	54"	23"	N.A.	N.A.	N.A.
Small D-Shaped, attached totem	50"	58"	48"	51"	23"	50"	53"	61"
Pear, attached totem	54"	61"	54"	54"	23"	50"	53"	61"

Desk-Height Tables

Square	60"	N.A.	60"	60"	29"	N.A.	N.A.	N.A.
Square, attached totem	60"	67"	60"	60"	29"	50"	59"	67"
Rectangle	60"	N.A.	60"	72"	29"	N.A.	N.A.	N.A.
Rectangle, attached totem	60"	79"	60"	72"	29"	50"	59"	67"
Round	60"	N.A.	60"	60"	29"	N.A.	N.A.	N.A.
Pear, attached totem	54"	61"	54"	54"	29"	50"	59"	67"
Small D-Shaped, attached totem	50"	58"	48"	51"	29"	50"	59"	67"
Medium D-shaped, attached totem	60"	73"	60"	66"	29"	50"	59"	67"
Large D-shaped, attached totem	60"	85"	60"	78"	29"	50"	59"	67"
Capsule	84"	N.A.	84"	60"	29"	N.A.	N.A.	N.A.
Capsule, attached totem	84"	67"	84"	60"	29"	50"	59"	67"
Offset, attached totem	80"	134"	80"	120"	29"	50"	59"	67"

Stool-Height Tables

Square	60"	N.A.	60"	60"	38"	N.A.	N.A.	N.A.
Square, attached totem	60"	67"	60"	60"	38"	50"	68"	76"
Rectangle	60"	N.A.	60"	72"	38"	N.A.	N.A.	N.A.
Rectangle, attached totem	60"	79"	60"	72"	38"	50"	68"	76"
Round	60"	N.A.	60"	60"	38"	N.A.	N.A.	N.A.
Medium D-shaped, attached totem	60"	73"	60"	66"	38"	50"	68"	76"
Large D-shaped, attached totem	60"	85"	60"	78"	38"	50"	68"	76"
Capsule	84"	N.A.	84"	60"	38"	N.A.	N.A.	N.A.
Capsule, attached totem	84"	67"	84"	60"	38"	50"	68"	76"
Offset, attached totem	80"	134"	80"	120"	38"	50"	68"	76"
TeamStudio	60"	189"	60"	75" (per table)	38"	N.A.	N.A.	N.A.
TeamStudio, attached single totem	60"	197"	60"	75" (per table)	38"	45"	68"	76"
TeamStudio, attached dual totems	60"	205"	60"	75" (per table)	38"	45"	68"	76"



media:scape Features Comparison

Features	media:scape tables	media:scape kiosk	media:scape mobile	media:scape mini	FrameOne with media:scape
Number of PUCKs	4-8	2	4	4	4-8
Number of monitors	1-4	1	1	1	1-2
Detached display option (wall-mounted)	yes	no	no	no	yes
HDVC integration	yes	yes	yes	no	no
User-moveable	no	no	yes	no	no
Size of display supported	any size	Cisco EX90/32" LED	40"/42" LED	40"/42" LED	40"/42" LED
Customer-installed	no	no	no	yes (30 minutes or less)	no
Supported monitor types	LCD, LED, or projectors	optimized for Cisco EX90 or LED monitor	optimized for LED monitor	optimized for LED monitor	optimized for LED monitor
Secure monitor with a lock	yes	yes	yes	yes	yes
Table shape designed for optimized sightlines	yes	yes	—	—	no
Maximum monitor weight	150 lbs	50 lbs	55 lbs	55 lbs	55 lbs

Tip: To secure a monitor to media:scape, a locking mechanism can be ordered from an external supplier such as PDR (pdrmounts.com/pdr2/) model number PDM-0108. media:scape mini, media:scape mobile, and FrameOne with media:scape monitor mounts have an integrated locking mechanism to accept a Kensington lock.

Wall-mounted shrouds

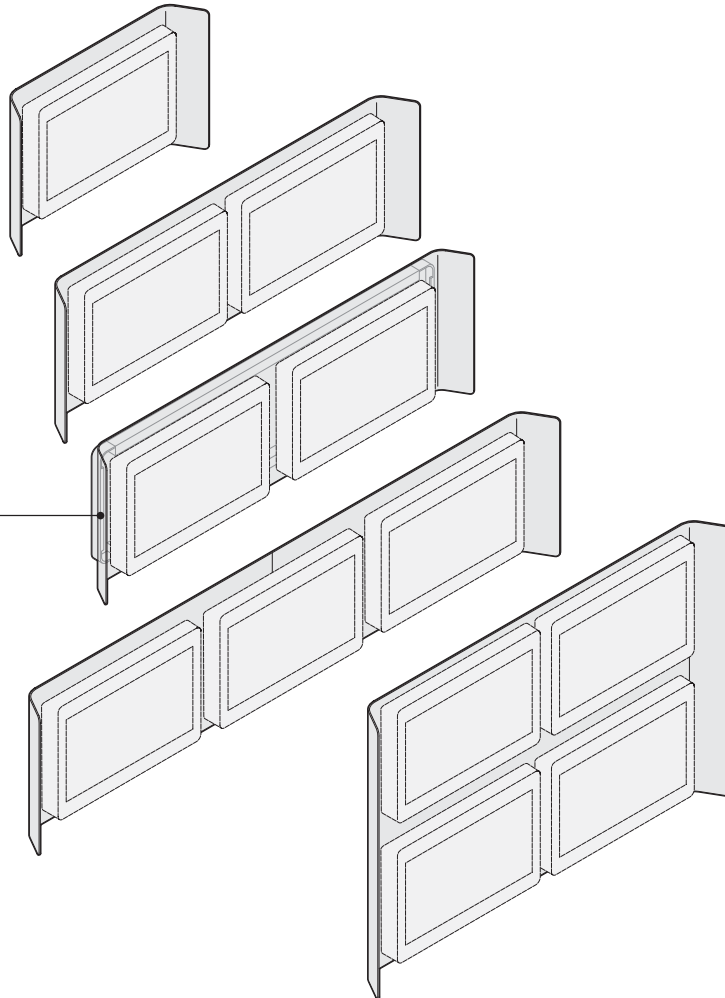
are available to support up to three 32", 42", 46", 55", or 65" monitors, (not included). Quad shrouds are available for 32" or 42" monitors. They are painted aluminum and available in platinum, arctic white gloss, near black, and midnight metallic.

Tip: Specify the seismic option if needed. This option is not available on shrouds with CODEC cases because these versions are already seismic compliant and additional parts are not required.

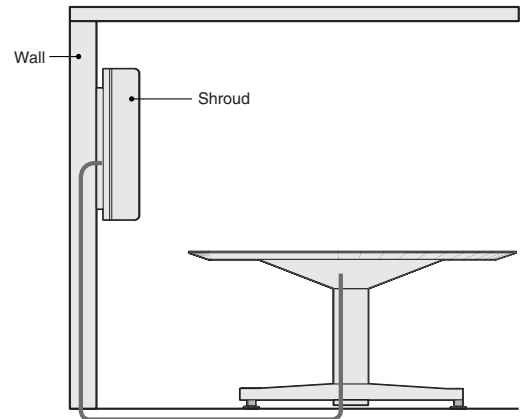
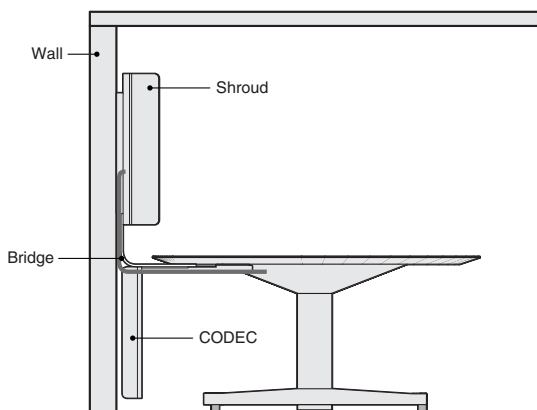
Monitor brackets are included and support most monitors.

Shroud-mounted CODEC cases are available for dual and triple 42" and 46" monitors.

Tip: The 42" shroud-mounted CODEC case was designed to accommodate a maximum 28"W, 16½"D, and 2½"H CODEC. The 46" shroud-mounted CODEC case was designed to accommodate a maximum 28"W, 19½"D, and 2½"H CODEC.



Tip: Wall-mount hardware is not included. To complete an installation, consult with your project architect to determine the mounting specifications for your installation site. Consult with your local building code officials for specific code requirements applicable to your installation.



The bridge is an option on all single monitor shrouds, and dual 32", 42", and 46" shrouds. It tethers a detached table to the shroud and provides cable management. The bridge defaults to the finish selected for the shroud. The bridge is not attachable to the dual monitor shroud with CODEC (MTSWD32C).

Note: Bottom of shroud will be 5" above table top.

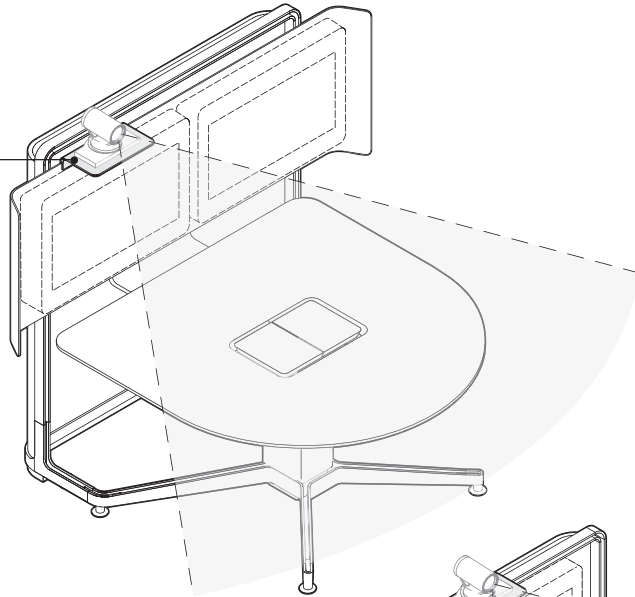
If a table is placed away from the wall, cables can be routed down the column, through the floor, and up the wall to the monitor. When coring the floor 2", conduit is recommended to easily fit the monitor extension cable HD15 connector.

Camera Ledges

Camera ledges are available to support video conferencing applications in either shroud-mounted or totem-mounted options.

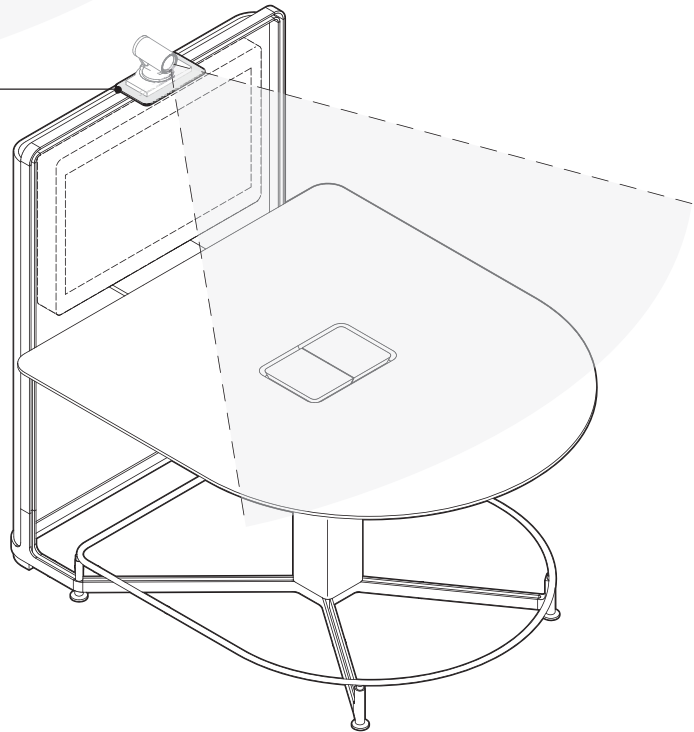
Tip: Cameras are not included.

Shroud-mounted camera ledges can be mounted to all wall-mounted shrouds and the dual monitor totem shroud. They are available in platinum, arctic white gloss, near black, and midnight metallic. Shroud-mounted ledges include slot to accommodate camera mount.

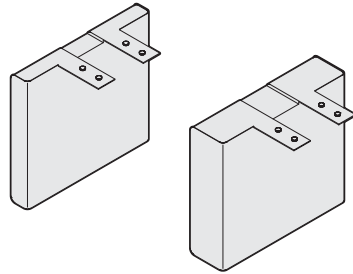


Tip: Sight lines will vary by camera and should be taken into consideration when specifying an application.

Totem-mounted camera ledges can be mounted to any media:scape table with a totem and are available in platinum, arctic white gloss, and near black.



The CODEC case is available 2 1/2" thick or 5 1/2" thick to accommodate most CODECs. They are mounted to the bottom of the bridge on tables with totems, or to the shroud bridge option available on all single monitor shrouds, and 32", 42", and 46" dual monitor shrouds. The perforated cover lets heat dissipate from the CODEC and allows access to hardware for services. The CODEC case is available in platinum, arctic white gloss and near black.



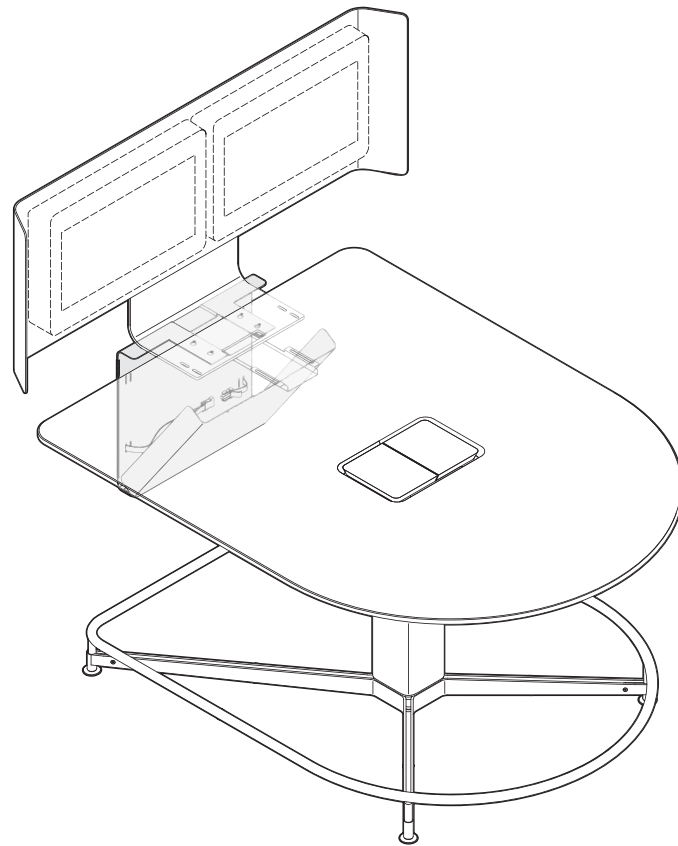
Tip: The dual 42" and 46" shrouds and the triple 42" and 46" shrouds are available with a CODEC case stored behind the shroud. A bridge-mounted CODEC case would not be needed in this scenario.

A tether buckle is included to secure the CODEC. A Kensington lock is not included but recommended for security.

Tip: The 5 1/2" thick CODEC case was designed to accommodate a maximum 5" CODEC height, 16" depth, and 20" width.

Tip: All CODECs may not fit. Check the dimensions of the CODEC before ordering a CODEC case.

Tip: An additional scaler and HDMI cable are needed to connect to the CODEC.



Actual Dimensions

	Depth	Width	Height
2.5	3"	23"	21"
5.5	6"	23"	21"

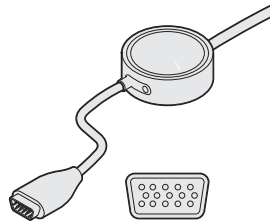
media:scape PUCKs

media:scape allows workers to collaborate with their devices by using new PUCKs that support a mix of digital and analog connections.

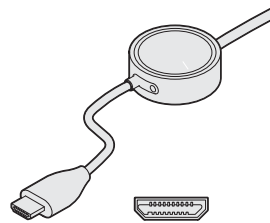
PUCKs are available in VGA, HDMI, DisplayPort, and mini DisplayPort connectors.

Each individual PUCK has a single connector and any combination of PUCKs can be specified on media:scape products.

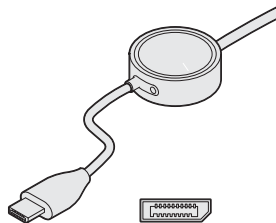
► Specifying, pages 62-65



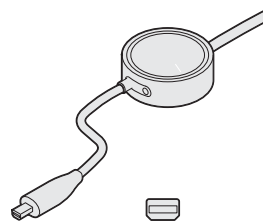
VGA



HDMI



DisplayPort



mini DisplayPort

Product Details

VGA has been the standard analog output on most devices for the past decade. Many of today's enterprise laptops have both a VGA and a digital output.

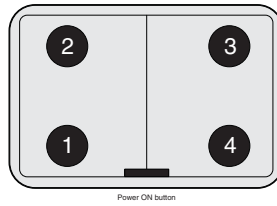
HDMI is the common digital output on consumer devices. Most consumer laptops have HDMI outputs today.

DisplayPort is the common digital output on enterprise devices. Most enterprise laptops have DisplayPort outputs today.

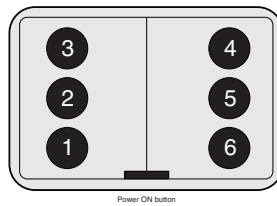
mini DisplayPort is the common digital output on Apple™ MacBooks™.

To determine the appropriate mix of PUCKs, work closely with the customer's IT department.

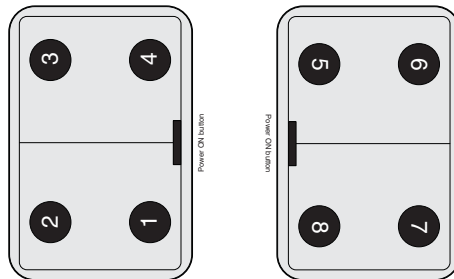
When selecting mixed PUCKs, please use the images below to determine the location for each connector.



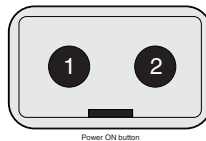
Use this configuration for media:scape tables with four PUCKs, mini, and mobile.



Use this configuration for media:scape tables with six PUCKs.



Use this configuration for media:scape offset tables.



Use this configuration for media:scape kiosk.

media:scape Virtual PUCK

Virtual PUCK allows easy and efficient wireless content sharing from laptops and tablets on multiple media:scape displays. Virtual PUCK maintains the simple “Open, Connect, and Share” user experience, like the original media:scape PUCK interface.

► Specifying, page 63

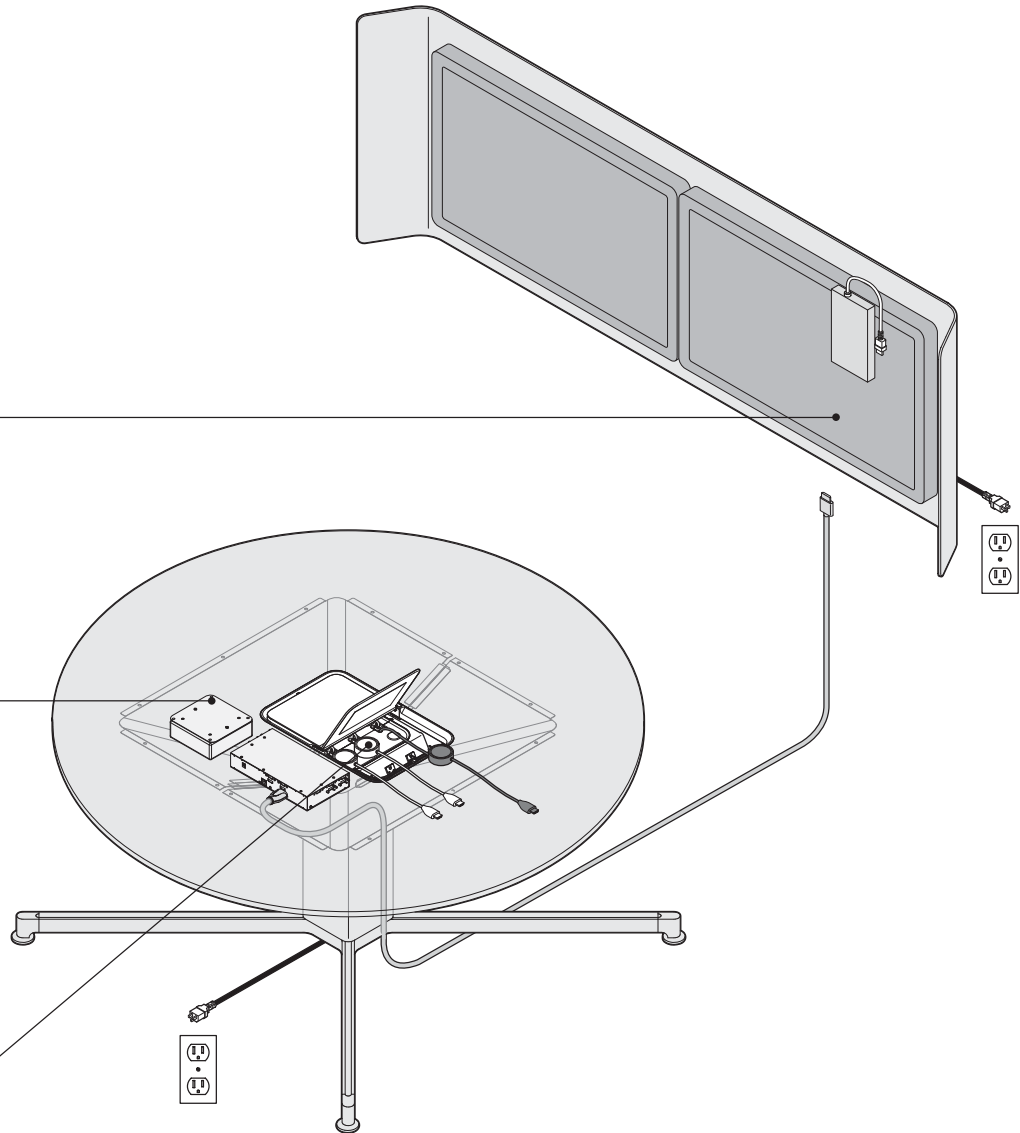
Users share content via a security-minded software application, complete with a simple and easy to use interface.

Content is shared on up to two displays.

Virtual PUCK receiver integrates directly with the media:scape digital switcher. It receives video content from the network connection, and shares the content to the switcher.

Note: Virtual PUCK is designed to integrate with media:scape in a stand alone setting. Integration with additional systems cannot be accommodated at this time.

Virtual PUCK works seamlessly with physical PUCKs in any media:scape application.



Product Details

Virtual PUCK application, available for Windows or Mac laptops, allows users to wirelessly share content to one or two media:scape displays. Just like the “Open, Connect, and Share” experience of media:scape, users simply open the app, connect to the media:scape via a four-digit security code, and share content from anywhere in the room.

The Virtual PUCK app can be downloaded free of charge at www.steelcase.com.

The Virtual PUCK manager is a software application that runs on the Steelcase application server. It allows IT managers the ability to configure, monitor, and manage each Virtual PUCK on a customer's network. The Virtual PUCK manager is included with the purchase of a Virtual PUCK.

The Steelcase application server is an enterprise class platform utilizing virtual server technology to deliver centralized management, reporting, and analytics for Steelcase technology products, including Virtual PUCK.

▶ Specifying, page 63

Steelcase application server installation is required prior to installing the Virtual PUCK manager. Additional information on the Steelcase application server can be found on page 64.

Note: Steelcase application server features the management of Virtual PUCK and other future Steelcase technology products. Only one instance is required to be installed on the customer's network. The single instance of Steelcase application server can manage all Virtual PUCK receivers on the customer's network.

Note: Although the Steelcase application server is available at no cost, it is important to place an order for a valid license. This license will ensure future access to Technical Support and software updates.

Note: The Steelcase application server is not hardware, but rather a virtual server (operating system and software package) that delivers a centralized management system of Steelcase technology products.

Steelcase Maintenance Agreement

media:scape Virtual PUCK includes a one year Steelcase maintenance agreement to provide an enhanced support system. The maintenance agreement covers:

- Software/firmware enhancements
- Expedited shipping for hardware replacements
- Prioritized technical support

Maintenance agreement renewal options are available for one, two, and three year periods.

▶ Specifying, page 164

Wiring and Cabling

Virtual PUCK receiver and media:scape digital switcher require a connection to the customer's network.

HDMI cables connect the Virtual PUCK receiver to the media:scape digital switcher. Connection constraints: Virtual PUCK utilizes the digital switcher's auxiliary ports and cannot be used in combination with other integrated systems, such as video conferencing, digital signage, and AV control systems like those used in media:scape Learn Labs.

Mounting Options

media:scape tables host the Virtual PUCK receiver under the pyramid covers, in close proximity to the digital switcher.

media:scape mobile holds the Virtual PUCK receiver in the CODEC case.
Note: An HDVC kit is required.

media:scape kiosk houses the Virtual PUCK receiver in the boot cover, underneath the worksurface.

Note: The kiosk cable kit option is required when specifying media:scape Virtual PUCK for use with media:scape kiosk.

▶ Specifying, page 63

Dimensions

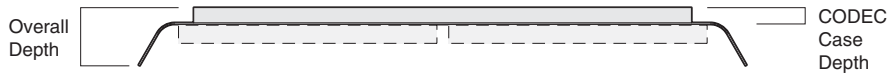
media:scape Wall-Mounted Shrouds

Features	Overall Interior Length	Overall Height	Overall Depth	Overall Length With Flaps	Overall Depth of CODEC Case
media:scape Shrouds					
32" Shrouds					
Single	29 ¹ / ₂ "	23 ¹ / ₂ "	6 ¹ / ₂ "	35"	N.A.
Dual	62"	23 ¹ / ₂ "	6 ¹ / ₂ "	67"	N.A.
Triple	94 ¹ / ₂ "	23 ¹ / ₂ "	6 ¹ / ₂ "	99 ¹ / ₂ "	N.A.
Quad	62"	45"	6 ¹ / ₂ "	67"	N.A.
42" Shrouds					
Single	39"	27 ¹ / ₂ "	6 ¹ / ₂ "	44"	N.A.
Dual	81"	27 ¹ / ₂ "	6 ¹ / ₂ "	86"	N.A.
Dual with CODEC Case	81"	27 ¹ / ₂ "	8"	86"	2 ¹ / ₂ "
Triple	122 ¹ / ₂ "	27 ¹ / ₂ "	6 ¹ / ₂ "	127 ¹ / ₂ "	N.A.
Triple with CODEC Case	122 ¹ / ₂ "	27 ¹ / ₂ "	8"	127 ¹ / ₂ "	2 ¹ / ₂ "
Quad	81"	54"	6 ¹ / ₂ "	86"	N.A.
46" Shrouds					
Single	43 ¹ / ₂ "	30 ¹ / ₂ "	6 ¹ / ₂ "	48 ¹ / ₂ "	N.A.
Dual	90"	30 ¹ / ₂ "	6 ¹ / ₂ "	95"	N.A.
Dual with CODEC Case	90"	30 ¹ / ₂ "	8"	95"	2 ¹ / ₂ "
Triple	136 ¹ / ₂ "	30 ¹ / ₂ "	6 ¹ / ₂ "	141 ¹ / ₂ "	N.A.
Triple with CODEC Case	136 ¹ / ₂ "	30 ¹ / ₂ "	8"	141 ¹ / ₂ "	2 ¹ / ₂ "
55" Shrouds					
Single	51"	35"	6 ¹ / ₂ "	56"	N.A.
Dual	104 ¹ / ₂ "	35"	6 ¹ / ₂ "	109 ¹ / ₂ "	N.A.
Triple	158"	35"	6 ¹ / ₂ "	163"	N.A.
65" Shrouds					
Single	60"	40 ¹ / ₂ "	6 ¹ / ₂ "	65"	N.A.
Dual	122"	40 ¹ / ₂ "	6 ¹ / ₂ "	127"	N.A.
Triple	184"	40 ¹ / ₂ "	6 ¹ / ₂ "	189 ¹ / ₂ "	N.A.
:	:	:	:	:	:

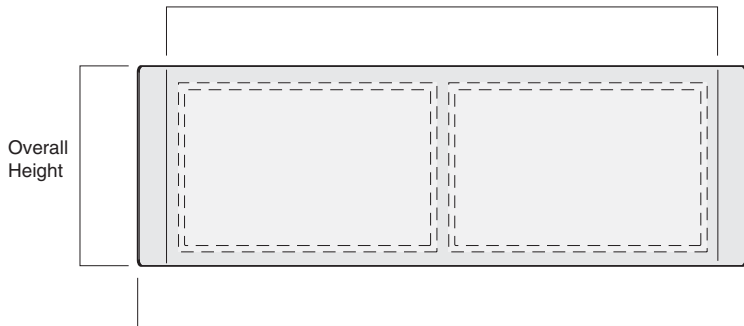
Top View



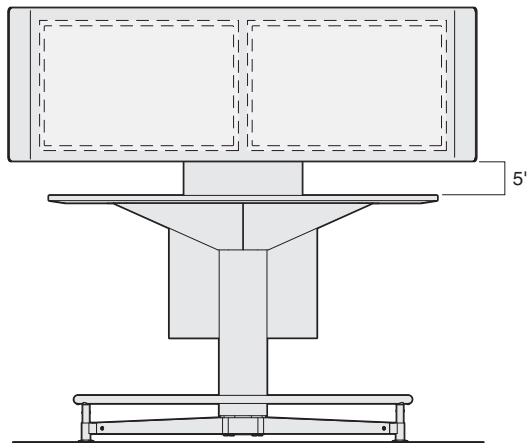
Top View - CODEC Models



Overall Interior Length



Overall Length With Flaps



Note: Bottom of shroud will be 5" above table top.

▶ See page 31.

Note: For maximum CODEC size, see Wall-Mounted Shrouds Understanding.

▶ See page 31.

Dimensions

media:scape Wall-Mounted Shroud Monitor Relationships and media:scape Wall-Mounted Shroud Weights

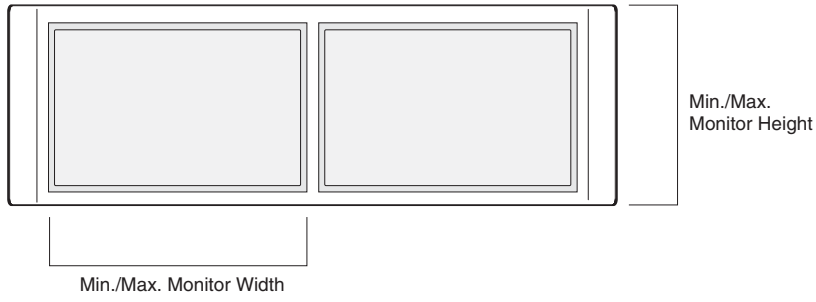
• Recommended • Monitor • Dimensions	• 32"	• 42"	• 46"	• 55"	• 65"
--	-------	-------	-------	-------	-------

media:scape Wall-Mounted Shroud Monitor Relationships					
Minimum width	30 ³ / ₄ "	39"	44"	51 ¹ / ₂ "	60 ¹ / ₂ "
Maximum width	32 ¹ / ₄ "	41 ¹ / ₂ "	46"	53 ¹ / ₂ "	62"
Minimum height	19 ¹ / ₄ "	23"	26"	31"	35 ¹ / ₂ "
Maximum height	21 ¹ / ₂ "	26"	28 ¹ / ₂ "	33"	38"

Tip: External speakers should be included when determining dimensions.

• Style Number	• Description	• Weight	• Weight with • Seismic Option
----------------	---------------	----------	-----------------------------------

media:scape Wall-Mounted Shroud Weights			
MTSWS32	Single, 32" Shroud	28 lb	30 lb
MTSWS42	Single, 42" Shroud	40 lb	43 lb
MTSWS46	Single, 46" Shroud	46 lb	50 lb
MTSWS55	Single, 55" Shroud	56 lb	61 lb
MTSWS65	Single, 65" Shroud	70 lb	76 lb
MTSWD32	Dual, 32" Shroud	50 lb	56 lb
MTSWD42	Dual, 42" Shroud	75 lb	81 lb
MTSWD42C	Dual, 42" Shroud, CODEC case	87 lb	N.A.
MTSWD46	Dual, 46" Shroud	86 lb	92 lb
MTSWD46C	Dual, 46" Shroud, CODEC Case	100 lb	N.A.
MTSWD55	Dual, 55" Shroud	105 lb	114 lb
MTSWD65	Dual, 65" Shroud	132 lb	142 lb
MTSWT32	Triple, 32" Shroud	75 lb	82 lb
MTSWT42	Triple, 42" Shroud	108 lb	118 lb
MTSWT42C	Triple, 42" Shroud, CODEC Case	129 lb	N.A.
MTSWT46	Triple, 46" Shroud	129 lb	143 lb
MTSWT46C	Triple, 46" Shroud, CODEC Case	116 lb	N.A.
MTSWT55	Triple, 55" Shroud	157 lb	172 lb
MTSWT65	Triple, 65" Shroud	198 lb	217 lb
MTSWQ32	Quad, 32" Shroud	94 lb	98 lb
MTSWQ42	Quad, 42" Shroud	138 lb	144 lb



Lounge-Height Tables



	Standard Includes	Required to Specify
▶ Need help? Product details, page 16	<ul style="list-style-type: none"> Table: High-Pressure Laminate surface with 3 mm plastic edge on all sides Base with legs 4 PUCKs 1 scaler Totem with single monitor bracket, if specified Infill: painted aluminum, if totem is specified Steelcase maintenance agreement (1 year) 	<ol style="list-style-type: none"> Style number Laminate color number for surface Plastic color number for edges on laminate surface Paint color for column, table base, feet, and totem frame (if specified): 4140 Arctic White Gloss 4799 Platinum Metallic 4803 Near Black Metallic Paint color number for infill Maintenance agreement (see below under Required Selections) Options, if selected (see below) <p>▶ See <i>Surface Materials</i>, page 154.</p>

Tip: Steelcase maintenance agreement (1 year) is reflected in the base price of the product.

	Required Selections	U.S. Price	Required to Specify
Maintenance Agreement	<ul style="list-style-type: none"> Steelcase maintenance agreement (1 year) 	\$1650 Included in U.S. Base Price	Specify with <i>Steelcase maintenance agreement (1 year)</i> .

	Options	U.S. Price	Required to Specify
Surface Materials	High-Pressure Laminate tables		
	<ul style="list-style-type: none"> Open Line laminate 	+\$ 67 plus cost of laminate	▶ See <i>Surface Materials Reference Manual</i> .
	Wood veneer tables		
	<ul style="list-style-type: none"> Wood veneer surface with wood veneer edges (3 mm edge profile) Premium wood 2 veneer surface with wood veneer edges (3 mm edge profile) Premium wood 3 veneer surface with wood veneer edges (3 mm edge profile) Customiz stain 	Prices at right	Specify with <i>wood veneer</i> and indicate wood color number.
	<ul style="list-style-type: none"> Full-fill finish 	Prices at right	Specify Premium wood 2 finish number.
	<ul style="list-style-type: none"> Customiz stain 	No cost	Specify Premium wood 3 finish number.
	Painted aluminum infill		
	<ul style="list-style-type: none"> Price group 1 Price group 2 Price group 3 	No cost +\$ 33 +\$ 109	Specify with <i>Customiz stain</i> . ▶ See <i>Surface Materials Reference Manual</i> . Specify full-fill finish number.
Dual Monitor Shroud	Available on attached totem style numbers		
	<ul style="list-style-type: none"> For dual monitor, two scalers and shroud 	+\$1914	Specify with <i>two scalers and shroud</i> .
Totem Canopy	<ul style="list-style-type: none"> Totem Canopy 	+\$ 874	Specify with <i>totem canopy</i> .

Tip: For each additional display, order one additional scaler and HDMI cable.

Note: In totem application with dual monitor shroud, two scalers are already included.

▶ See page 60

Tip: Monitors are not included. Monitors should be multi-sync, with a horizontal frequency range of 31-80 kHz, a vertical frequency of 55-80 kHz, and a detachable C13/C14 cord.

▶ For further information, go to steelcase.com and search for *media:scape*.

▶ Options, continued on next page



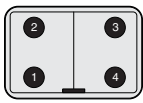
For Canadian Pricing

Multiply U.S. Price by the Canadian price factor.

▶ See page 1 for details.

► Options, continued from previous page

Tip: When specifying mixed PUCKs, please use the image below as a guide:



Options	U.S. Price	Required to Specify
PUCKs	ALL PUCKs same type – 4 PUCKs	
• VGA	No cost	Specify with <i>VGA PUCKs</i> .
• HDMI	No cost	Specify with <i>HDMI PUCKs</i> .
• DisplayPort	No cost	Specify with <i>DisplayPort PUCKs</i> .
• Mini DisplayPort	No cost	Specify with <i>Mini DisplayPort PUCKs</i> .
	Mixed PUCK types	
• PUCK 1		
- VGA	No cost	Specify with <i>VGA PUCK</i> .
- HDMI	No cost	Specify with <i>HDMI PUCK</i> .
- DisplayPort	No cost	Specify with <i>DisplayPort PUCK</i> .
- Mini DisplayPort	No cost	Specify with <i>Mini DisplayPort PUCK</i> .
• PUCK 2		
- VGA	No cost	Specify with <i>VGA PUCK</i> .
- HDMI	No cost	Specify with <i>HDMI PUCK</i> .
- DisplayPort	No cost	Specify with <i>DisplayPort PUCK</i> .
- Mini DisplayPort	No cost	Specify with <i>Mini DisplayPort PUCK</i> .
• PUCK 3		
- VGA	No cost	Specify with <i>VGA PUCK</i> .
- HDMI	No cost	Specify with <i>HDMI PUCK</i> .
- DisplayPort	No cost	Specify with <i>DisplayPort PUCK</i> .
- Mini DisplayPort	No cost	Specify with <i>Mini DisplayPort PUCK</i> .
• PUCK 4		
- VGA	No cost	Specify with <i>VGA PUCK</i> .
- HDMI	No cost	Specify with <i>HDMI PUCK</i> .
- DisplayPort	No cost	Specify with <i>DisplayPort PUCK</i> .
- Mini DisplayPort	No cost	Specify with <i>Mini DisplayPort PUCK</i> .

media:scape
Tables

Specification Information										
Dimensions				Style	U.S.	Options				
D	W	H	Totem Height	Number	Base Price (with Maintenance Agreement)	(Add \$ to Base Price)	Wood	Premium Wood	Full-Fill Finish	
:	:	:	:	:	:	:	Veneer	Wood 2	Wood 3	:

Small D-Shaped Lounge-Height Table with Attached Totem (3-5 people)

51"	48"	23"	53"	MT02LS4848T	\$23,044	+\$394	+\$67	+\$236	+\$67
-----	-----	-----	-----	--------------------	----------	--------	-------	--------	-------



Pear-Shaped Lounge-Height Table with Attached Totem (4-6 people)

54"	54"	23"	53"	MT02LP4854T	\$23,382	+\$394	+\$94	+\$327	+\$93
-----	-----	-----	-----	--------------------	----------	--------	-------	--------	-------



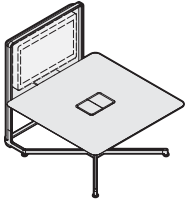
Round Lounge-Height Table (4-6 people)

54"	54"	23"	N.A.	MT02LR54	\$19,444	+\$394	+\$67	+\$236	+\$67
-----	-----	-----	------	-----------------	----------	--------	-------	--------	-------



For Canadian Pricing
 Multiply U.S. Price by the Canadian price factor.
 ► See page 1 for details.

Desk-Height Tables



Tip: When integrating with an HD videoconferencing CODEC, order one additional scaler and an HDMI cable.

Tip: Steelcase maintenance agreement (1 year) is reflected in the base price of the product.

Tip: For each additional display, order one additional scaler and HDMI cable. Note: In totem application with dual monitor shroud, two scalers are already included. ▶ See page 60

Tip: Monitors are not included. Monitors should be multi-sync, with a horizontal frequency range of 31-80 kHz, a vertical frequency of 55-80 kHz, and a detachable C13/C14 cord. For further information, go to steelcase.com and search for *media:scape*.

 **For Canadian Pricing**
Multiply U.S. Price by the Canadian price factor.
▶ See page 1 for details.

	Standard Includes	Required to Specify
▶ Need help? Product details, page 16	<ul style="list-style-type: none"> Table: High-Pressure Laminate surface with 3 mm plastic edge on all sides Base with legs PUCKs <ul style="list-style-type: none"> - 6 PUCKs standard - 4 PUCKs for small D and pear-shaped tables - 8 PUCKs for offset table 1 scaler (2 scalers for offset table) Totem with single monitor bracket, if specified Infill: painted aluminum, if totem specified Steelcase maintenance agreement (1 year) 	<ol style="list-style-type: none"> Style number Laminate color number for surface Plastic color number for edges on laminate surface Paint color for column, table base, feet, and totem frame (if specified): <ul style="list-style-type: none"> 4140 Arctic White Gloss 4799 Platinum Metallic 4803 Near Black Metallic Paint color number for infill Maintenance agreement (see below under Required Selections) Options, if selected (see below) ▶ See <i>Surface Materials</i> , page 154.

	Required Selections	U.S. Price	Required to Specify
Maintenance Agreement	<ul style="list-style-type: none"> Steelcase maintenance agreement (1 year) 	\$1650 Included in U.S. Base Price	Specify with <i>Steelcase maintenance agreement (1 year)</i> .

	Options	U.S. Price	Required to Specify
Surface Materials	<p>High-Pressure Laminate tables</p> <ul style="list-style-type: none"> Open Line laminate <p>Wood veneer tables</p> <ul style="list-style-type: none"> Wood veneer surface with wood veneer edges (3 mm edge profile) Premium wood 2 veneer surface with wood veneer edges (3 mm edge profile) Premium wood 3 veneer surface with wood veneer edges (3 mm edge profile) Customiz stain <p>Painted aluminum infill</p> <ul style="list-style-type: none"> Price group 1 Price group 2 Price group 3 	+\$ 67 plus cost of laminate Prices at right Prices at right Prices at right No cost Prices at right	▶ See <i>Surface Materials Reference Manual</i> . Specify with <i>wood veneer</i> and indicate wood color number. Specify Premium wood 2 finish number. Specify Premium wood 3 finish number. Specify with <i>Customiz stain</i> . ▶ See <i>Surface Materials Reference Manual</i> . Specify full-fill finish number.

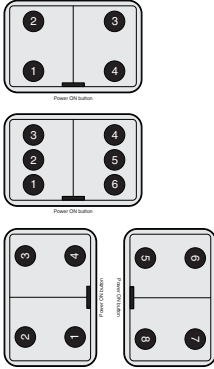
Dual Monitor Shroud	<p>Available on attached totem style numbers (except offset table)</p> <ul style="list-style-type: none"> For dual monitor, two scalers and shroud <p>Available on offset style numbers</p> <ul style="list-style-type: none"> For dual monitor, four scalers (two monitors on each totem) and two shrouds 	+\$1914 +\$4614	Specify with <i>two scalers and shroud</i> . Specify with <i>four scalers and two shrouds</i> .
Totem Canopy	<p>Available on attached totem style numbers (except offset table)</p> <ul style="list-style-type: none"> Totem Canopy <p>Available on offset style numbers</p> <ul style="list-style-type: none"> Totem Canopies 	+\$ 874 +\$1748	Specify with <i>totem canopy</i> . Specify with <i>totem canopy</i> .

PUCKs	<p>ALL PUCKs same type – 4 PUCKs, 6 PUCKs, or 8 PUCKs</p> <ul style="list-style-type: none"> VGA HDMI DisplayPort Mini DisplayPort 	No cost No cost No cost No cost	Specify with <i>VGA PUCKs</i> . Specify with <i>HDMI PUCKs</i> . Specify with <i>DisplayPort PUCKs</i> . Specify with <i>Mini DisplayPort PUCKs</i> .
--------------	---	--	--

▶ Options, continued on next page

► Options, continued from previous page

Tip: When specifying mixed PUCKs, please use the images below as a guide:



PUCKs	Options	U.S. Price	Required to Specify
Mixed PUCK types (continued)	• PUCK 1		
	- VGA	No cost	Specify with VGA PUCK.
	- HDMI	No cost	Specify with HDMI PUCK.
	- DisplayPort	No cost	Specify with DisplayPort PUCK.
	- Mini DisplayPort	No cost	Specify with Mini DisplayPort
	• PUCK 2		
	- VGA	No cost	Specify with VGA PUCK.
	- HDMI	No cost	Specify with HDMI PUCK.
- DisplayPort	No cost	Specify with DisplayPort PUCK.	
- Mini DisplayPort	No cost	Specify with Mini DisplayPort PUCK	
• PUCK 3			
- VGA	No cost	Specify with VGA PUCK.	
- HDMI	No cost	Specify with HDMI PUCK.	
- DisplayPort	No cost	Specify with DisplayPort PUCK.	
- Mini DisplayPort	No cost	Specify with Mini DisplayPort PUCK.	
• PUCK 4			
- VGA	No cost	Specify with VGA PUCK.	
- HDMI	No cost	Specify with HDMI PUCK.	
- DisplayPort	No cost	Specify with DisplayPort PUCK.	
- Mini DisplayPort	No cost	Specify with Mini DisplayPort PUCK	
• PUCK 5			
- VGA	No cost	Specify with VGA PUCK.	
- HDMI	No cost	Specify with HDMI PUCK.	
- DisplayPort	No cost	Specify with DisplayPort PUCK.	
- Mini DisplayPort	No cost	Specify with Mini DisplayPort PUCK.	
• PUCK 6			
- VGA	No cost	Specify with VGA PUCK.	
- HDMI	No cost	Specify with HDMI PUCK.	
- DisplayPort	No cost	Specify with DisplayPort PUCK.	
- Mini DisplayPort	No cost	Specify with Mini DisplayPort PUCK	
• PUCK 7			
- VGA	No cost	Specify with VGA PUCK.	
- HDMI	No cost	Specify with HDMI PUCK.	
- DisplayPort	No cost	Specify with DisplayPort PUCK.	
- Mini DisplayPort	No cost	Specify with Mini DisplayPort PUCK.	
• PUCK 8			
- VGA	No cost	Specify with VGA PUCK.	
- HDMI	No cost	Specify with HDMI PUCK.	
- DisplayPort	No cost	Specify with DisplayPort PUCK.	
- Mini DisplayPort	No cost	Specify with Mini DisplayPort PUCK	

media:scape
Tables

Specification Information

Dimensions			Totem Height	Style Number	U.S. Base Price (with Maintenance Agreement)	Options (Add \$ to Base Price)			
D	W	H				Wood Veneer	Premium Wood	Full-Fill Finish	
						Wood	Wood 2	Wood 3	

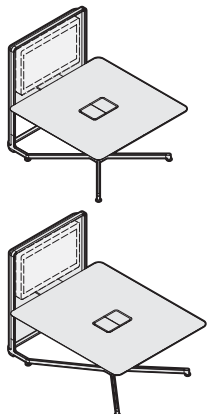
Square Desk-Height Table with Attached Totem (4 – 6 people)

60"	60"	29"	59"	MT02DS6060T	\$23,494	+\$563	+\$ 94	+\$327	+\$ 93
-----	-----	-----	-----	--------------------	----------	--------	--------	--------	--------

Rectangular Desk-Height Table with Attached Totem (4 – 6 people)

72"	60"	29"	59"	MT02DR7260T	\$23,720	+\$675	+\$153	+\$533	\$153
-----	-----	-----	-----	--------------------	----------	--------	--------	--------	-------

Specification Information, continued on next page

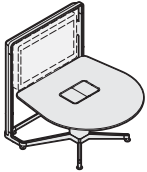


► **Specification Information, continued from previous page**

Specification Information										
Dimensions				Totem Height	Style Number	U.S. Base Price (with Maintenance Agreement)	Options			Full-Fill Finish
D	W	H					Wood Veneer	Premium Wood	Wood 2	

Pear-Shaped Desk-Height Table with Attached Totem (4 people)

54"	54"	29"	59"	MT02DP4854T	\$23,382	+\$ 394	+\$ 94	+\$ 327	+\$ 93
-----	-----	-----	-----	--------------------	----------	---------	--------	---------	--------



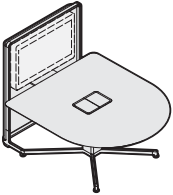
Small D-Shaped Desk-Height Table with Attached Totem (4 people)

51"	48"	29"	59"	MT02DSD4848T	\$23,044	+\$ 394	+\$ 67	+\$ 236	+\$ 67
-----	-----	-----	-----	---------------------	----------	---------	--------	---------	--------



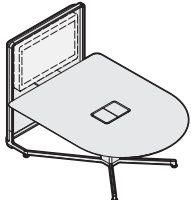
Medium D-Shaped Desk-Height Table with Attached Totem (4 – 6 people)

66"	60"	29"	59"	MT02DM6660T	\$23,494	+\$ 563	+\$153	+\$ 533	+\$153
-----	-----	-----	-----	--------------------	----------	---------	--------	---------	--------



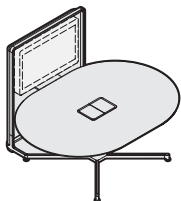
Large D-Shaped Desk-Height Table with Attached Totem (5 – 7 people)

78"	60"	29"	59"	MT02DL7860T	\$23,720	+\$ 675	+\$153	+\$ 533	+\$153
-----	-----	-----	-----	--------------------	----------	---------	--------	---------	--------



Capsule Desk-Height Table with Attached Totem (4 – 6 people)

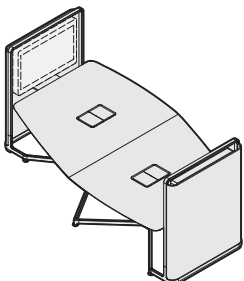
60"	84"	29"	59"	MT02DC6084T	\$24,057	+\$ 675	+\$198	+\$ 692	+\$198
-----	-----	-----	-----	--------------------	----------	---------	--------	---------	--------



Offset Desk-Height Table with Attached Totems (8 people)

120"	80"	29"	54"	MT02DF12076T	\$39,587	+\$1408	+\$314	+\$1097	+\$314
------	-----	-----	-----	---------------------	----------	---------	--------	---------	--------

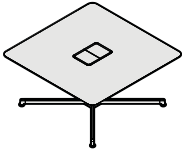
► **Specification Information, continued on next page**



► Specification Information, continued from previous page

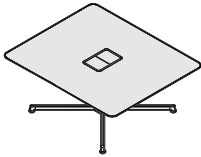
Specification Information									
• Dimensions				• Style Number	• U.S. Base Price (with Maintenance Agreement)	• Options			
D	W	H	Totem Height			(Add \$ to Base Price)			
						Wood Veneer	• Premium Wood		Full-Fill Finish
							Wood 2	Wood 3	

media:scape
Tables



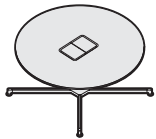
Square Desk-Height Table (6 – 8 people)

60"	60"	29"	N.A.	MT02DS6060	\$20,119	+\$563	+\$ 94	+\$327	+\$ 93
-----	-----	-----	------	-------------------	----------	--------	--------	--------	--------



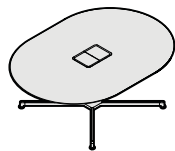
Rectangular Desk-Height Table (6 – 8 people)

72"	60"	29"	N.A.	MT02DR7260	\$20,343	+\$675	+\$153	+\$533	+\$153
-----	-----	-----	------	-------------------	----------	--------	--------	--------	--------



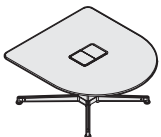
Round Desk-Height Table (4 – 6 people)

60"	60"	29"	N.A.	MT02DR60	\$20,343	+\$563	+\$ 94	+\$328	+\$ 93
-----	-----	-----	------	-----------------	----------	--------	--------	--------	--------



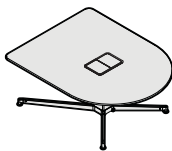
Capsule Desk-Height Table (6 – 8 people)

60"	84"	29"	N.A.	MT02DC6084	\$20,681	+\$675	+\$198	+\$692	+\$198
-----	-----	-----	------	-------------------	----------	--------	--------	--------	--------



Medium D-Shaped Desk-Height Table (4 – 6 people)

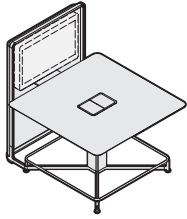
66"	60"	29"	N.A.	MT02DM6660	\$20,119	+\$563	+\$153	+\$533	+\$153
-----	-----	-----	------	-------------------	----------	--------	--------	--------	--------



Large D-Shaped Desk-Height Table (5 – 7 people)

78"	60"	29"	N.A.	MT02DL7860	\$20,343	+\$675	+\$153	+\$533	+\$153
-----	-----	-----	------	-------------------	----------	--------	--------	--------	--------

Stool-Height Tables




Tip: When integrating with an HD videoconferencing CODEC, order one additional scaler and an HDMI cable.

Tip: Steelcase maintenance agreement (1 year) is reflected in the base price of the product.

Tip: For each additional display, order one additional scaler and HDMI cable.
Note: In totem application with dual monitor shroud, two scalers are already included.

▶ See page 60

Tip: Monitors are not included. Monitors should be multi-sync, with a horizontal frequency range of 31-80 kHz, a vertical frequency of 55-80 kHz, and a detachable C13/C14 cord. For further information, go to steelcase.com and search for media.scape.

 **For Canadian Pricing**
Multiply U.S. Price by the Canadian price factor.
▶ See page 1 for details.

	Standard Includes	Required to Specify
▶ Need help? Product details, page 16	<ul style="list-style-type: none"> Table: High-Pressure Laminate surface with 3 mm plastic edge on all sides Base with legs 6 PUCKs for all tables except offset table which is standard with 8 PUCKs 1 scaler (2 scalers for offset table and TeamStudio with dual totems) Totem with single monitor bracket, if specified Infill: painted aluminum, if totem specified Steelcase maintenance agreement (1 year) 	<ol style="list-style-type: none"> Style number Laminate color number for surface Plastic color number for edges on laminate surface Paint color for column, table base, feet, and totem frame (if specified): 4140 Arctic White Gloss 4799 Platinum Metallic 4803 Near Black Metallic Paint color number for infill Maintenance agreement (see below under Required Selections) Options, if selected (see below) <p>▶ See <i>Surface Materials</i>, page 154.</p>

	Required Selections	U.S. Price	Required to Specify
Maintenance Agreement	<ul style="list-style-type: none"> Steelcase maintenance agreement (1 year) 	\$1650 Included in U.S. Base Price	Specify with <i>Steelcase maintenance agreement (1 year)</i> .

	Options	U.S. Price	Required to Specify
Surface Materials	High-Pressure Laminate tables		
	<ul style="list-style-type: none"> Open Line laminate 	+\$ 67 plus cost of laminate	▶ See <i>Surface Materials Reference Manual</i> .
	Wood veneer tables		
	<ul style="list-style-type: none"> Wood veneer surface with wood veneer edges (3 mm edge profile) Premium wood 2 veneer surface with wood veneer edges (3 mm edge profile) Premium wood 3 veneer surface with wood veneer edges (3 mm edge profile) Customiz stain 	Prices at right	Specify with <i>wood veneer</i> and indicate wood color number.
	<ul style="list-style-type: none"> Full-fill finish 	Prices at right	Specify Premium wood 2 finish number.
	Painted aluminum infill		
	<ul style="list-style-type: none"> Price group 1 Price group 2 Price group 3 	No cost +\$ 44 +\$ 131	Specify with <i>Customiz stain</i> . ▶ See <i>Surface Materials Reference Manual</i> . Specify full-fill finish number.

Dual Monitor Shroud	Available on attached totem style numbers (except offset table)		
	<ul style="list-style-type: none"> For dual monitor, two scalers and shroud 	+\$1914	Specify with <i>two scalers and shroud</i> .

	Available on offset style numbers		
	<ul style="list-style-type: none"> For dual monitor, four scalers (two monitors on each totem) and two shrouds 	+\$4614	Specify with <i>four scalers and two shrouds</i> .

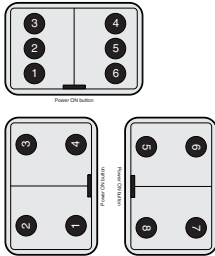
Totem Canopy	Available on attached totem style numbers (except offset table) and TeamStudio table with attached single totem		
	<ul style="list-style-type: none"> Totem Canopy 	+\$ 874	Specify with <i>totem canopy</i> .
	Available on offset style numbers and TeamStudio table with attached dual totems		
	<ul style="list-style-type: none"> Totem Canopies 	+\$1748	Specify with <i>totem canopy</i> .

PUCKs	ALL PUCKs same type - 6 PUCKs or 8 PUCKs		
	<ul style="list-style-type: none"> VGA HDMI DisplayPort Mini DisplayPort 	No cost No cost No cost No cost	Specify with <i>VGA PUCKs</i> . Specify with <i>HDMI PUCKs</i> . Specify with <i>DisplayPort PUCKs</i> . Specify with <i>Mini DisplayPort PUCKs</i> .

▶ Options, continued on next page

► Options, continued from previous page

Tip: When specifying mixed PUCKs, please use the images below as guides:



Options	U.S. Price	Required to Specify
PUCKs	Mixed PUCK types (continued)	
• PUCK 1	- VGA No cost	Specify with VGA PUCK.
	- HDMI No cost	Specify with HDMI PUCK.
	- DisplayPort No cost	Specify with DisplayPort PUCK.
	- Mini DisplayPort No cost	Specify with Mini DisplayPort PUCK.
• PUCK 2	- VGA No cost	Specify with VGA PUCK.
	- HDMI No cost	Specify with HDMI PUCK.
	- DisplayPort No cost	Specify with DisplayPort PUCK.
	- Mini DisplayPort No cost	Specify with Mini DisplayPort PUCK.
• PUCK 3	- VGA No cost	Specify with VGA PUCK.
	- HDMI No cost	Specify with HDMI PUCK.
	- DisplayPort No cost	Specify with DisplayPort PUCK.
	- Mini DisplayPort No cost	Specify with Mini DisplayPort PUCK.
• PUCK 4	- VGA No cost	Specify with VGA PUCK.
	- HDMI No cost	Specify with HDMI PUCK.
	- DisplayPort No cost	Specify with DisplayPort PUCK.
	- Mini DisplayPort No cost	Specify with Mini DisplayPort PUCK.
• PUCK 5	- VGA No cost	Specify with VGA PUCK.
	- HDMI No cost	Specify with HDMI PUCK.
	- DisplayPort No cost	Specify with DisplayPort PUCK.
	- Mini DisplayPort No cost	Specify with Mini DisplayPort PUCK.
• PUCK 6	- VGA No cost	Specify with VGA PUCK.
	- HDMI No cost	Specify with HDMI PUCK.
	- DisplayPort No cost	Specify with DisplayPort PUCK.
	- Mini DisplayPort No cost	Specify with Mini DisplayPort PUCK.
• PUCK 7	- VGA No cost	Specify with VGA PUCK.
	- HDMI No cost	Specify with HDMI PUCK.
	- DisplayPort No cost	Specify with DisplayPort PUCK.
	- Mini DisplayPort No cost	Specify with Mini DisplayPort PUCK.
• PUCK 8	- VGA No cost	Specify with VGA PUCK.
	- HDMI No cost	Specify with HDMI PUCK.
	- DisplayPort No cost	Specify with DisplayPort PUCK.
	- Mini DisplayPort No cost	Specify with Mini DisplayPort PUCK.

Cable Track - Cable track for TeamStudio table +\$1200 Specify with cable track.

Specification Information

Dimensions			Totem Height	Style Number	U.S. Base Price (with Maintenance Agreement)	Options			
D	W	H				Wood Veneer	Premium Wood	Full-Fill Finish	
						Wood	Wood 2	Wood 3	

Square Stool-Height Table with Attached Totem (4 - 6 People)

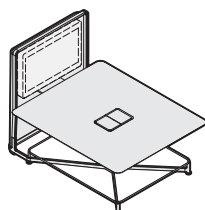
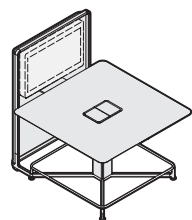
60"	60"	38"	68"	MT02SS6060T	\$26,871	+\$563	+\$ 94	+\$327	+\$ 93
-----	-----	-----	-----	--------------------	----------	--------	--------	--------	--------

Rectangular Stool-Height Table with Attached Totem (4 - 6 People)

72"	60"	38"	68"	MT02SR7260T	\$27,096	+\$675	+\$153	+\$533	+\$153
-----	-----	-----	-----	--------------------	----------	--------	--------	--------	--------

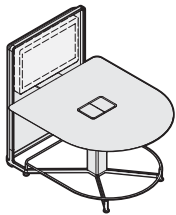
► Specification Information, continued on next page

media:scape
Tables



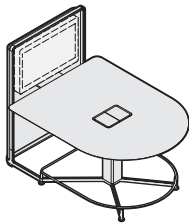
► **Specification Information, continued from previous page**

Specification Information										
Dimensions				Totem Height	Style Number	U.S. Base Price (with Maintenance Agreement)	Options			Full-Fill Finish
D	W	H					Wood Veneer	Premium Wood	Wood 2	



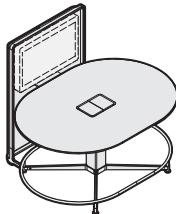
Medium D-Shaped Stool-Height Table with Attached Totem (4 – 6 People)

66"	60"	38"	68"	MT02SM6660T	\$26,871	+\$ 563	+\$153	+\$ 533	+\$153
-----	-----	-----	-----	--------------------	----------	---------	--------	---------	--------



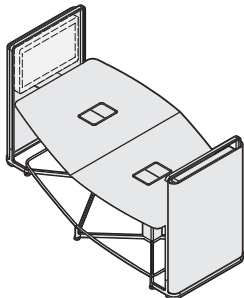
Large D-Shaped Stool-Height Table with Attached Totem (5 – 7 People)

78"	60"	38"	68"	MT02SL7860T	\$27,096	+\$ 675	+\$153	+\$ 533	+\$153
-----	-----	-----	-----	--------------------	----------	---------	--------	---------	--------



Capsule Stool-Height Table with Attached Totem (4 – 6 People)

60"	84"	38"	68"	MT02SC6084T	\$27,434	+\$ 675	+\$198	+\$ 692	+\$198
-----	-----	-----	-----	--------------------	----------	---------	--------	---------	--------



Offset Stool-Height Table with Attached Totem (8 people)

120"	80"	38"	68"	MT02SF12076T	\$46,341	+\$1408	+\$314	+\$1097	+\$314
------	-----	-----	-----	---------------------	----------	---------	--------	---------	--------

► **Specification Information, continued on next page**

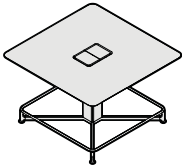


For Canadian Pricing
 Multiply U.S. Price by the
 Canadian price factor.
 ► See page 1 for details.

► Specification Information, continued from previous page

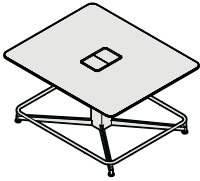
Specification Information

• Dimensions				• Style • Number	• U.S. • Base • Price • (with • Maintenance • Agreement)	• Options (Add \$ to Base Price)			
D	W	H	Totem Height			Wood Veneer	Premium Wood	Wood 2	Wood 3



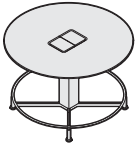
Square Stool-Height Table (6 – 8 people)

60"	60"	38"	N.A.	MT02SS6060	\$23,494	+\$563	+\$ 94	+\$327	+\$ 93
-----	-----	-----	------	-------------------	----------	--------	--------	--------	--------



Rectangular Stool-Height Table (6 – 8 people)

72"	60"	38"	N.A.	MT02SR7260	\$23,720	+\$675	+\$153	+\$533	+\$153
-----	-----	-----	------	-------------------	----------	--------	--------	--------	--------



Round Stool-Height Table (4 – 6 people)

60"	60"	38"	N.A.	MT02SR60	\$23,720	+\$563	+\$ 94	+\$328	+\$ 93
-----	-----	-----	------	-----------------	----------	--------	--------	--------	--------



Capsule Stool-Height Table (6 – 8 people)

60"	84"	38"	N.A.	MT02SC6084	\$24,057	+\$675	+\$198	+\$692	+\$198
-----	-----	-----	------	-------------------	----------	--------	--------	--------	--------



Medium D-Shaped Stool-Height Table (4 – 6 people)

66"	60"	38"	N.A.	MT02SM6660	\$23,494	+\$563	+\$153	+\$533	+\$153
-----	-----	-----	------	-------------------	----------	--------	--------	--------	--------



Large D-Shaped Stool-Height Table (5 – 7 people)

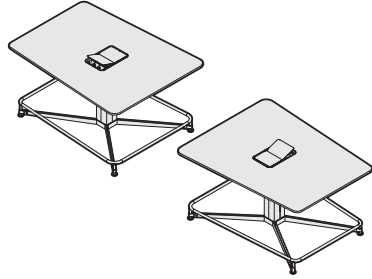
78"	60"	38"	N.A.	MT02SL7860	\$23,720	+\$675	+\$153	+\$533	+\$153
-----	-----	-----	------	-------------------	----------	--------	--------	--------	--------

► Specification Information, continued on next page

media:scape
Tables

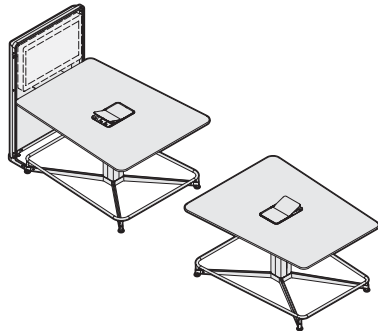
► **Specification Information, continued from previous page**

Specification Information									
• Dimensions				• Style	• U.S.	• Options			
D	W	H	Totem Height	Number	Base Price (with Maintenance Agreement)	(Add \$ to Base Price)		Premium Wood	
						Wood	Wood 2	Wood 3	Full-Fill Finish



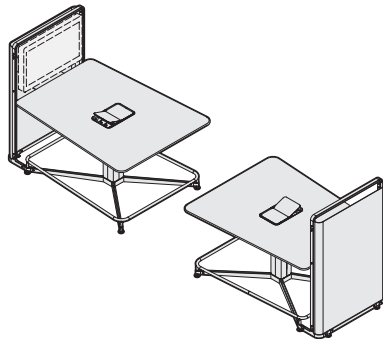
TeamStudio Table (8 - 12 People)

75"	60"	38"	N.A.	MT02ST7560	\$39,810	+\$1408	+\$314	+\$1097	+\$314
-----	-----	-----	------	-------------------	----------	---------	--------	---------	--------



TeamStudio Attached Single Totem (8 - 12 People)

75"	60"	38"	68"	MT02ST7560T	\$43,110	+\$1408	+\$314	+\$1097	+\$314
-----	-----	-----	-----	--------------------	----------	---------	--------	---------	--------



TeamStudio Attached Dual Totems (8 - 12 People)

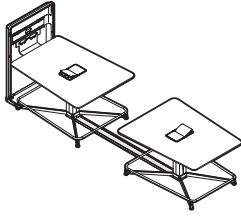
75"	60"	38"	68"	MT02ST7560TT	\$46,410	+\$1408	+\$314	+\$1097	+\$314
-----	-----	-----	-----	---------------------	----------	---------	--------	---------	--------



For Canadian Pricing
 Multiply U.S. Price by the
 Canadian price factor.
 ► See page 1 for details.

Cable Track for media:scape TeamStudio

Cable Track for media:scape
TeamStudio



Standard Includes	Required to Specify
<ul style="list-style-type: none"> ▶ Need help? Product details, page 18 	<ul style="list-style-type: none"> • Cable track: anodized aluminum
	Style number

Specification Information	
• Style Number	• U.S. Price
MTSTCT	\$1200
·	·

media:scape
Tables

 **For Canadian Pricing**
Multiply U.S. Price by the Canadian price factor.
▶ See page 1 for details.

Seismic Anchor Brackets



Tip: One bracket is used per leg, so two packages should be ordered per table.

Standard Includes	Required to Specify
-------------------	---------------------

- | | |
|---|--|
| <ul style="list-style-type: none"> ▶ Need help? Product details, page 17 | <ul style="list-style-type: none"> • Brackets: package of two |
| | <ul style="list-style-type: none"> Style number |

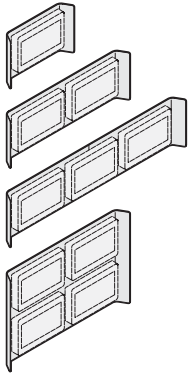
Specification Information	
---------------------------	--

• Style Number	• U.S. Price
CQSA	\$48



For Canadian Pricing
 Multiply U.S. Price by the Canadian price factor.
 ▶ See page 1 for details.

Wall-Mounted Shrouds



Tip: Bridge is only available on some style numbers. If seismic is selected, a bridge cannot be selected.

Tip: media:scape wall-mounted shrouds do not include electronics to support additional displays.

Standard Includes		Required to Specify
<ul style="list-style-type: none"> ▶ Need help? Product details, page 31 	<ul style="list-style-type: none"> • Wall-mounted shroud • Monitor brackets: black 	<ul style="list-style-type: none"> 1 Style number 2 Paint color number for shroud: <ul style="list-style-type: none"> 4140 Arctic White Gloss 4799 Platinum Metallic 4803 Near Black Metallic 7246 Midnight Metallic 3 Options, if selected (see below)

	Options	U.S. Price	Required to Specify
Bridge	• Bridge	See below and at right	Specify <i>with bridge</i> .
Seismic	• Seismic	See below and at right	Specify <i>with seismic</i> .

Specification Information			
Dimensions	Style Number	U.S. Base Price	Options
D W H			(Add \$ to Base Price)
			Bridge : Seismic

Single 32" Wall-Mounted Shroud

6 1/2"	35"	23 1/2"	MTSWS32	\$1349	+\$464	+\$55
--------	-----	---------	----------------	--------	--------	-------

Single 42" Wall-Mounted Shroud

6 1/2"	44"	27 1/2"	MTSWS42	\$1595	+\$464	+\$55
--------	-----	---------	----------------	--------	--------	-------

Single 46" Wall-Mounted Shroud

6 1/2"	48 1/2"	30 1/2"	MTSWS46	\$1726	+\$464	+\$55
--------	---------	---------	----------------	--------	--------	-------

Single 55" Wall-Mounted Shroud

6 1/2"	56"	35"	MTSWS55	\$2022	+\$464	+\$55
--------	-----	-----	----------------	--------	--------	-------

Single 65" Wall-Mounted Shroud

6 1/2"	65"	40 1/2"	MTSWS65	\$2349	+\$464	+\$55
--------	-----	---------	----------------	--------	--------	-------

Dual 32" Wall-Mounted Shroud

6 1/2"	67"	23 1/2"	MTSWD32	\$1967	+\$464	+\$82
--------	-----	---------	----------------	--------	--------	-------

Dual 42" Wall-Mounted Shroud

6 1/2"	86"	27 1/2"	MTSWD42	\$2754	+\$464	+\$82
--------	-----	---------	----------------	--------	--------	-------

Dual 42" Wall-Mounted Shroud with CODEC Case

7 1/2"	86"	27 1/2"	MTSWD42C	\$3301	N.A.	N.A.
--------	-----	---------	-----------------	--------	------	------

Dual 46" Wall-Mounted Shroud

6 1/2"	95"	30 1/2"	MTSWD46	\$3015	+\$464	+\$82
--------	-----	---------	----------------	--------	--------	-------

▶ **Specification Information, continued on next page**

 **For Canadian Pricing**
Multiply U.S. Price by the Canadian price factor.
▶ See page 1 for details.

► **Specification Information, continued from previous page**

Specification Information

• Dimensions			• Style	• U.S.	• Options	
D	W	H	Number	Base Price	(Add \$ to Base Price)	
					Bridge	Seismic

Dual 46" Wall-Mounted Shroud with CODEC Case

7 1/2"	95"	30 1/2"	MTSWD46C	\$3562	N.A.	N.A.
--------	-----	---------	-----------------	--------	------	------

Dual 55" Wall-Mounted Shroud

6 1/2"	109 1/2"	35"	MTSWD55	\$3606	N.A.	+\$ 82
--------	----------	-----	----------------	--------	------	--------

Dual 65" Wall-Mounted Shroud

6 1/2"	127"	40 1/2"	MTSWD65	\$4561	N.A.	+\$ 82
--------	------	---------	----------------	--------	------	--------

Triple 32" Wall-Mounted Shroud

6 1/2"	99 1/2"	23 1/2"	MTSWT32	\$3147	N.A.	+\$109
--------	---------	---------	----------------	--------	------	--------

Triple 42" Wall-Mounted Shroud

6 1/2"	127 1/2"	27 1/2"	MTSWT42	\$4130	N.A.	+\$109
--------	----------	---------	----------------	--------	------	--------

Triple 42" Wall-Mounted Shroud with CODEC Case

7 1/2"	127 1/2"	27 1/2"	MTSWT42C	\$4677	N.A.	N.A.
--------	----------	---------	-----------------	--------	------	------

Triple 46" Wall-Mounted Shroud

6 1/2"	141 1/2"	30 1/2"	MTSWT46	\$4524	N.A.	+\$109
--------	----------	---------	----------------	--------	------	--------

Triple 46" Wall-Mounted Shroud with CODEC Case

7 1/2"	141 1/2"	30 1/2"	MTSWT46C	\$5071	N.A.	N.A.
--------	----------	---------	-----------------	--------	------	------

Triple 55" Wall-Mounted Shroud

6 1/2"	163"	35"	MTSWT55	\$5408	N.A.	+\$109
--------	------	-----	----------------	--------	------	--------

Triple 65" Wall-Mounted Shroud

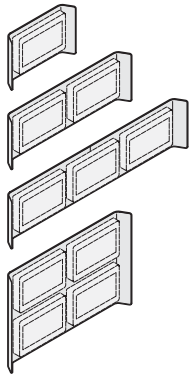
6 1/2"	189 1/2"	40 1/2"	MTSWT65	\$6430	N.A.	+\$109
--------	----------	---------	----------------	--------	------	--------

Quad 32" Wall-Mounted Shroud

6 1/2"	67"	45"	MTSWQ32	\$4196	N.A.	+\$ 82
--------	-----	-----	----------------	--------	------	--------

Quad 42" Wall-Mounted Shroud

6 1/2"	86"	54"	MTSWQ42	\$5507	N.A.	+\$ 82
--------	-----	-----	----------------	--------	------	--------



Tip: When integrating with an HD videoconferencing CODEC, order one additional scaler with an HDMI cable.

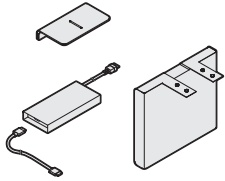
media:scape
Tables

 **For Canadian Pricing**
Multiply U.S. Price by the Canadian price factor.
► See page 1 for details.

Video Conferencing Components

HDVC Kit

For Use with media:scape Tables with Attached Totem



Tip: The HDVC kit is for media:scape tables with attached totem only. When specifying other media:scape with HDVC applications, each video conferencing component can be ordered separately.

Tip: To specify the shroud mounted camera ledge in 7246 Midnight Metallic, order each HDVC kit component individually.

Tip: Dual display includes one additional HDMI cable.

	Standard Includes	Required to Specify
▶ Need help? Product details, page 26	<ul style="list-style-type: none"> • Totem-mount camera ledge: paint • 2½" CODEC case with strap for securing CODEC and Kensington lock feature • Scaler • Two HDMI cables (monitor extension cables for media:scape digital technology) 	<ol style="list-style-type: none"> 1 Style number 2 Paint color number for ledge: <ul style="list-style-type: none"> 4140 Arctic White Gloss 4799 Platinum Metallic 4803 Near Black Metallic 3 Paint color number for CODEC case: <ul style="list-style-type: none"> 4140 Arctic White Gloss 4799 Platinum Metallic 4803 Near Black Metallic 4 Camera ledge: totem-mounted or shroud-mounted 5 Display quantity 6 CODEC case size <p>▶ Options, if selected (see below)</p>

	Options	U.S. Price	Required to Specify
Accessories	Camera ledge		
	• Shroud-mounted	No cost	Specify with <i>shroud-mounted camera ledge</i> .
	Display quantity		
	• Single	No cost	Specify with <i>single display</i> .
	• Dual	+\$55	Specify with <i>dual display</i> .
	CODEC case		
	• 5½" CODEC case	+\$76	Specify with <i>5½" CODEC case</i> .

Specification Information	
• Style Number	• U.S. Base Price
MT02HDVCKIT	\$1770
.	.
.	.



For Canadian Pricing

Multiply U.S. Price by the Canadian price factor.

▶ See page 1 for details.

Camera Ledges

Standard Includes	Required to Specify
<ul style="list-style-type: none"> ▶ Need help? Product details, page 32 • Camera ledge 	<ul style="list-style-type: none"> 1 Style number 2 Paint color number for ledge: <ul style="list-style-type: none"> 4140 Arctic White Gloss 4799 Platinum Metallic 4803 Near Black Metallic 7246 Midnight Metallic (available on shroud-mounted only)

Specification Information		
Dimensions	Style	U.S.
D W H	Number	Price
:	:	:

Shroud-Mounted Camera Ledge

6 1/2"	11 1/2"	2"	MTHS	\$273
:	:	:	:	:

Totem-Mounted Camera Ledge

6 1/2"	11 1/2"	1 1/2"	MTHT	\$273
:	:	:	:	:



CODEC Cases

Tip: An additional scaler and an HDMI cable is needed to connect to the CODEC.

- ▶ See HDMI Cables, page 60.
- ▶ See Scaler, page 60.

Standard Includes	Required to Specify
<ul style="list-style-type: none"> ▶ Need help? Product details, page 33 • CODEC case: paint • Strap for securing CODEC • Features for Kensington lock attachment 	<ul style="list-style-type: none"> 1 Style number 2 Paint color number for case: <ul style="list-style-type: none"> 4140 Arctic White Gloss 4799 Platinum Metallic 4803 Near Black Metallic

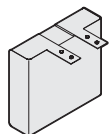
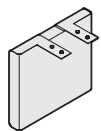
Specification Information		
Dimensions	Style	U.S.
D W H	Number	Price
:	:	:

2 1/2" CODEC Case

3"	23"	21"	MTCC2	\$907
:	:	:	:	:

5 1/2" CODEC Case

6"	23"	21"	MTCC5	\$983
:	:	:	:	:



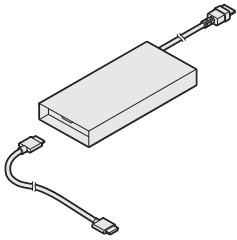
For Canadian Pricing

Multiply U.S. Price by the Canadian price factor.

- ▶ See page 1 for details.

Electronics

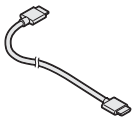
Scaler



Tip: In situations where media:scape will send video to another system, like HDVC, an additional scaler is recommended.

Standard Includes		Required to Specify
<ul style="list-style-type: none"> ▶ Need help? Product details, page 20 	<ul style="list-style-type: none"> • Scaler • HDMI cable (a monitor extension cable for media:scape digital technology) 	Style number
Specification Information		
• Style Number	• U.S. Price	
MT02SC169	\$590	

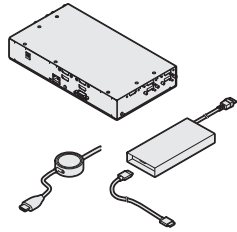
HDMI Cables



Standard Includes		Required to Specify
<ul style="list-style-type: none"> ▶ Need help? Product details, page 20 	<ul style="list-style-type: none"> • HDMI cable (a monitor extension cable for media:scape digital technology) 	Style number
Specification Information		
• Length	• Style Number	• U.S. Price
10'	MT02HDO110	\$ 55
25'	MT02HDO125	\$ 90
50'	MT02HDO150	\$150
75'	MT02HDO175	\$425



For Canadian Pricing
 Multiply U.S. Price by the Canadian price factor.
 ▶ See page 1 for details.



Tip: Steelcase maintenance agreement (1 year) is reflected in the base price of the product.

Note: Customers can return their analog technology components to Steelcase for a credit. See <http://village.steelcase.com> for more information.

Note: Dual monitor option must be selected when choosing 8 PUCKs.

Note: HDMI monitor extension cables are intended for use with attached totem applications. For wall mounted monitor applications, HDMI monitor extension cables will need to be specified separately.

Standard Includes		Required to Specify
<ul style="list-style-type: none"> ▶ Need help? Product details, page 26 	<ul style="list-style-type: none"> • Digital switcher • Four digital PUCKs • Digital scaler • 10' HDMI monitor extension cable • Steelcase maintenance agreement (1 year) • Return label and packaging (for analog technology return and recycling program) 	<ol style="list-style-type: none"> 1 Style number 2 Maintenance agreement (see below under Required Selections) 3 Options, if selected (see below)

Required Selections	U.S. Price	Required to Specify
Maintenance Agreement <ul style="list-style-type: none"> • Steelcase maintenance agreement (1 year) 	\$1650 Included in U.S. Base Price	Specify with <i>Steelcase maintenance agreement (1 year)</i> .

Options	U.S. Price	Required to Specify
Dual Monitor <ul style="list-style-type: none"> • Dual monitor (must select when choosing 8 PUCKs below) 	+\$ 590	Specify with <i>dual display</i> .

PUCKs	Quantity	U.S. Price	Required to Specify
	• 4 PUCKs	No cost	Specify with <i>4 PUCKs</i> .
	• 6 PUCKs	+\$1224	Specify with <i>6 PUCKs</i> .
	• 8 PUCKs	+\$2448	Specify with <i>8 PUCKs</i> .
	Type		
	• All the same (select one type)		
	– VGA	No cost	Specify with <i>VGA PUCK</i> .
	– HDMI	No cost	Specify with <i>HDMI PUCK</i> .
	– DisplayPort	No cost	Specify with <i>DisplayPort PUCK</i> .
	– Mini DisplayPort	No cost	Specify with <i>Mini DisplayPort PUCK</i> .
	• Mixed (select type for each PUCK)		
	– VGA	No cost	Specify with <i>VGA PUCK</i> .
	– HDMI	No cost	Specify with <i>HDMI PUCK</i> .
	– DisplayPort	No cost	Specify with <i>DisplayPort PUCK</i> .
	– Mini DisplayPort	No cost	Specify with <i>Mini DisplayPort PUCK</i> .

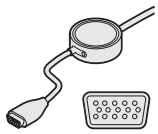
Specification Information	
Style Number	U.S. Base Price (with Maintenance Agreement)
MT02TK	\$18,000

media:scape Tables

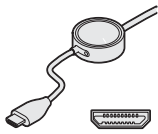
 **For Canadian Pricing**
 Multiply U.S. Price by the Canadian price factor.
 ▶ See page 1 for details.

media:scape PUCKs

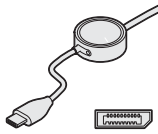
Tip: Order these PUCKs to retrofit into existing tables. PUCKs with digital connections can only connect into the media:scape switcher. If your table was purchased before February 2012, a maximum of six PUCKs with digital connections can connect into the switcher. If more than six PUCKs are connected, the switcher will not send a video signal. Please contact LineOne if you have any additional questions at 1.888.STEELCASE.



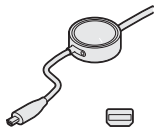
VGA



HDMI



DisplayPort



mini DisplayPort

Standard Includes	Required to Specify
<ul style="list-style-type: none"> ▶ Need help? Product details, page 34 	<ul style="list-style-type: none"> • Digital PUCK • Switcher-to-PUCK cable • PUCK-to-device cable
	Style number

Specification Information

Style Number	U.S. Price
--------------	------------

VGA PUCK

MS02PKVG01	\$612
-------------------	-------

HDMI PUCK

MS02PKHD01	\$612
-------------------	-------

DisplayPort PUCK

MS02PKDP01	\$612
-------------------	-------

mini DisplayPort PUCK

MS02PKDP02	\$612
-------------------	-------



For Canadian Pricing
 Multiply U.S. Price by the Canadian price factor.
 ▶ See page 1 for details.

media:scape Virtual PUCK

Available now as a limited release. Please contact virtualpuck@steelcase.com for more information. Available broadly Summer 2015.

media:scape Virtual PUCK



Tip: Steelcase maintenance agreement (1 year) is reflected in the base price of the product.

Tip: The Virtual PUCK is designed to integrate with the media:scape digital system.

Note: Virtual PUCK is designed to integrate with media:scape in a stand alone setting. Integration with additional systems cannot be accommodated at this time.

Tip: When specifying Virtual PUCK with media:scape mobile, an HDVC kit is also required to house the Virtual PUCK receiver inside the CODEC case.

Tip: A single installation of the Steelcase application server is required prior to installing the Virtual PUCK manager application. Specification information can

Standard Includes		Required to Specify
▶ Need help? Product details, page 36	<ul style="list-style-type: none"> Virtual PUCK receiver Connection cables Power supply Steelcase maintenance agreement (1 year) Virtual PUCK manager 	<ol style="list-style-type: none"> Style number Maintenance agreement (see below under Required Selections) Options, if selected (see below)

Required Selections	U.S. Price	Required to Specify
Maintenance Agreement	<ul style="list-style-type: none"> Steelcase maintenance agreement (1 year) 	\$450 Included in U.S. Base Price
		Specify with <i>Steelcase maintenance agreement (1 year)</i> .

Options	U.S. Price	Required to Specify
kiosk Cable Kit	<ul style="list-style-type: none"> kiosk cable kit 	+\$65
		Specify with <i>kiosk cable kit</i> .

Specification Information			
Dimensions		Style Number	U.S. Base Price (with Maintenance Agreement)
D	W		
4 1/2"	4 1/2"	MS02VPK01	\$3300
:	:	:	:

media:scape
Tables



For Canadian Pricing
Multiply U.S. Price by the Canadian price factor.
▶ See page 1 for details.

Steelcase Application Server

Available now as a limited release. Please contact virtualpuck@steelcase.com for more information. Available broadly Summer 2015.

Tip: One of the features of the Steelcase application server is the management of Virtual PUCK and other future Steelcase products. Only one instance is required to be installed on the customer's network. The single instance of Steelcase application server can manage all the Virtual PUCK receivers on that network.

Tip: Although the Steelcase application server is available at no cost, an order must be placed for a valid license. This license will ensure future access to technical support and software updates.

Standard Includes	Required to Specify
<ul style="list-style-type: none"> ▶ Need help? Product details, page 37 	<ul style="list-style-type: none"> • Steelcase application server license • Virtual PUCK manager and registry server <p>Style number</p>

Specification Information	
• Style Number	• U.S. Price
VS10	No cost
·	·
·	·



For Canadian Pricing
 Multiply U.S. Price by the Canadian price factor.
 ▶ See page 1 for details.

Tip: Order these PUCKs to retrofit into existing tables. PUCKs with digital connections can only connect into the media:scape switcher. If your table was purchased before February 2012, a maximum of six PUCKs with digital connections can connect into the switcher. If more than six PUCKs are connected, the switcher will not send a video signal. Please contact LineOne if you have any additional questions at 1.888.STEELCASE.

Standard Includes	Required to Specify
<ul style="list-style-type: none"> ▶ Need help? Product details, page 34 	<ul style="list-style-type: none"> • Analog PUCK • Switcher-to-PUCK cable • PUCK-to-device cable
	Style number

Specification Information

Style Number	U.S. Price
--------------	------------

HDMI PUCK

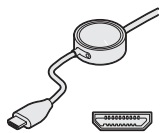
MS01PKHD01	\$612
-------------------	-------

DisplayPort PUCK

MS01PKDP01	\$612
-------------------	-------

mini DisplayPort PUCK

MS01PKDP02	\$612
-------------------	-------



HDMI



DisplayPort



mini DisplayPort



For Canadian Pricing

Multiply U.S. Price by the Canadian price factor.

▶ See page 1 for details.



Understanding and Specifying media:scape kiosk



Statement of Line **68**



Product Details

media:scape kiosk	70
media:scape kiosk with HDVC	72
Dimensions—media:scape kiosk	74



Specifying

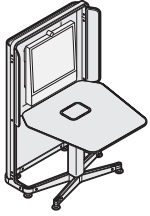
media:scape kiosk	76
-------------------	-----------

media:scape kiosk

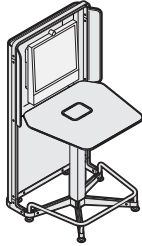
Statement of Line

media:scape kiosk

media:scape kiosk

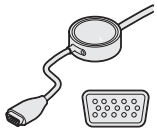


kiosk Desk-Height
Understanding
▶ Page 70
Specifying
▶ Page 76

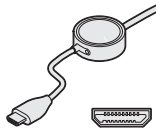


kiosk Stool-Height
Understanding
▶ Page 70
Specifying
▶ Page 76

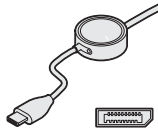
media:scape PUCKs



VGA
Understanding
▶ Page 34
Specifying
▶ Page 62



HDMI
Understanding
▶ Page 34
Specifying
▶ Page 62



DisplayPort
Understanding
▶ Page 34
Specifying
▶ Page 62



mini DisplayPort
Understanding
▶ Page 34
Specifying
▶ Page 62

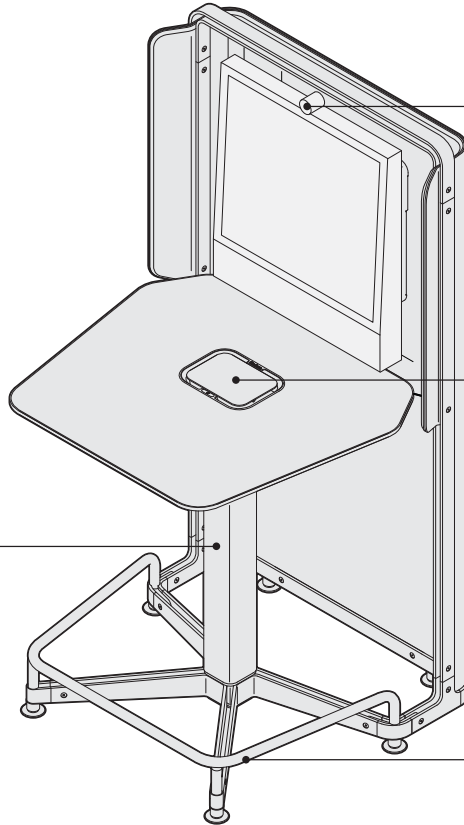
media:scape kiosk

media:scape kiosk is tailored to meet the needs of video collaboration for the individual. It is optimized for one user, but can host two users. media:scape kiosk can support casual, quick, informative conversations in the open plan, or evaluative working sessions in a small enclave. kiosk enhances collaboration, bringing together local and global teams to maximize organizational and individual potential.

► Specifying, page 76

media:scape kiosk is completely self-contained, eliminating the need to route cables through walls and floors.

Base is available in three finishes and includes the column. A storage compartment is included to house power cord when being transported.



Camera placement creates optimal sight lines and framing for users.

Media well offers two power outlets and two PUCKs.

Foot ring on standing-height version provides comfort while standing.

Product Details

kiosk is available in two versions – stool-height or desk-height.

media:scape kiosk includes two PUCKs for content sharing while collaborating on video.

Steelcase Maintenance Agreement

media:scape kiosk includes a one year Steelcase maintenance agreement to provide an enhanced support system for media:scape settings with digital components. The maintenance agreement covers:

- software/firmware enhancements
- expedited shipping for hardware replacements
- prioritized technical support

Maintenance agreement renewal options are available for one, two, and three year periods.

► Specifying, page 164

Wiring and Cabling

media:scape kiosk requires power and two network connections (for both the digital switcher and CODEC).

Mounting Options

kiosk can be specified with mounting hardware for the Cisco EX90 or a 32" display.

Surface Materials

Surface

- Laminate
- Wood veneer

Edge

- Plastic – laminate surfaces
- Wood veneer – wood veneer surfaces

Totem infill

- Paint

Shroud infill

- Fabric

Base

- Paint

Column

- Painted to match base

Media well covers

- Painted to match base

Totem frame

- Painted to match base

Foot ring

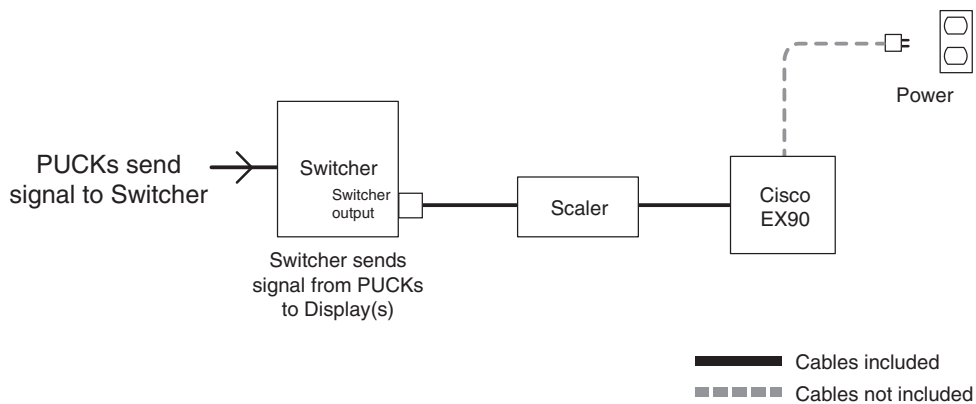
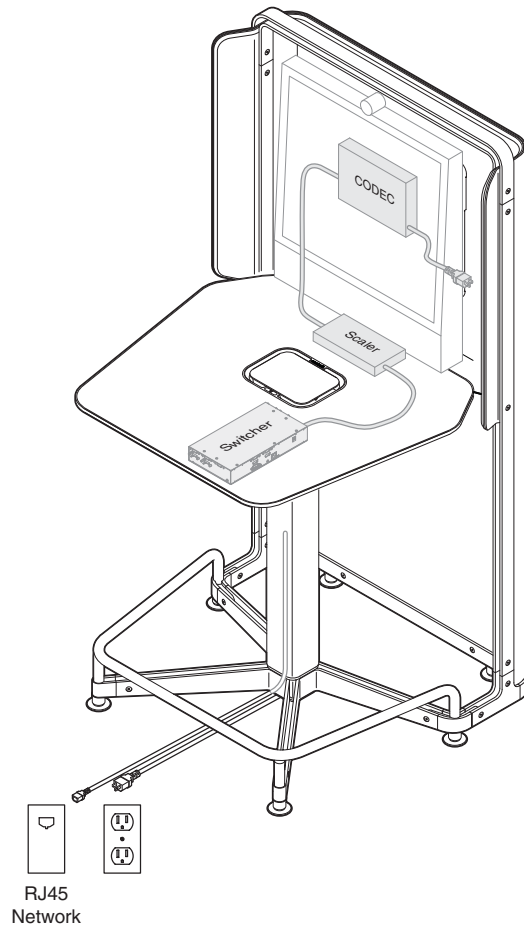
- Stainless steel

media:scape kiosk with HDVC

Integration with Cisco EX90

media:scape kiosk is optimized for integration with the Cisco EX90 or a Polycom Group series CODEC with a 32" display. Monitor, camera, and CODEC are not included.

media:scape kiosk requires both power and two network connections (for both the digital switcher and for the CODEC).

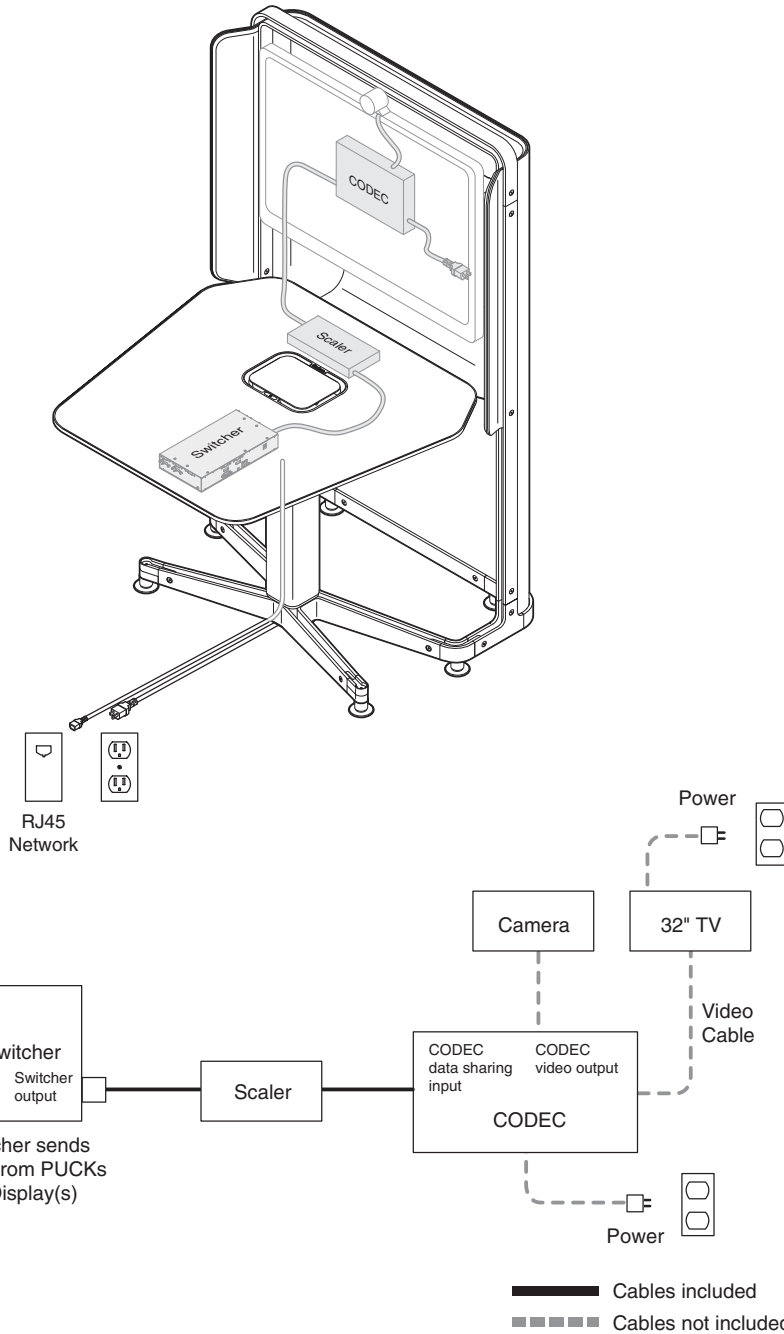


media:scape kiosk with HDVC

Integration with 32" Display and Small CODEC

media:scape kiosk
with HDVC

media:scape kiosk can also accommodate other small form factor CODECs when selecting the 32" display mount kit. Monitor, camera, and CODEC are not included.



media:scape kiosk

Internal Engine Cover Dimensions

	32" Display	Cisco EX90
Depth	3"	3"
Width	10"	10"
Height	11 ³ / ₈ "	11 ³ / ₈ "

Tip: All CODECs may not fit. Check to be sure the dimensions of the CODEC do not exceed the space inside the engine cover.

Dimensions

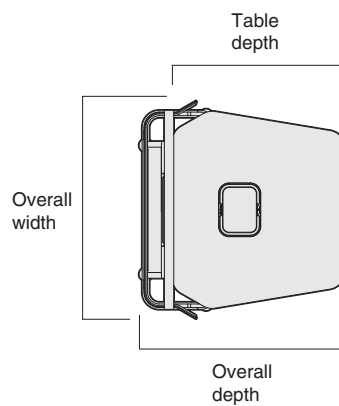
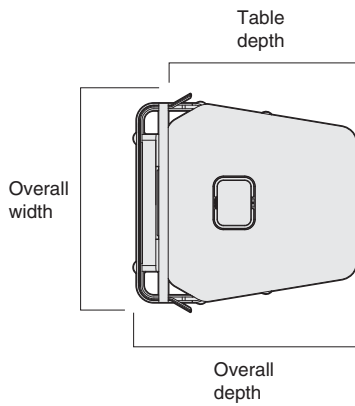
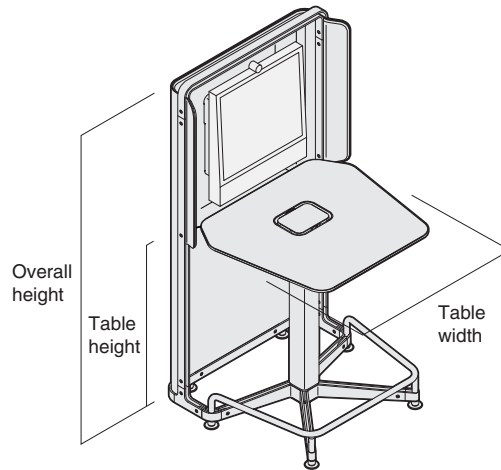
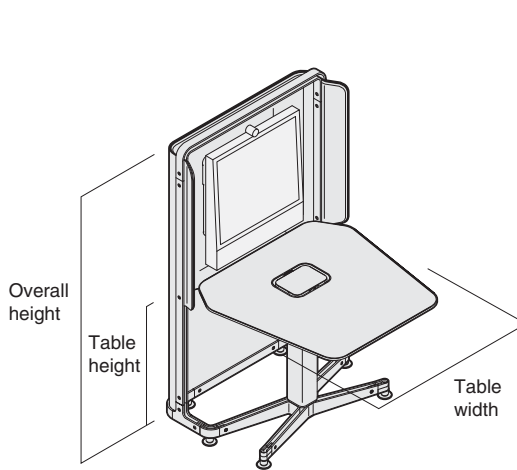
media:scape kiosk

Actual Dimensions

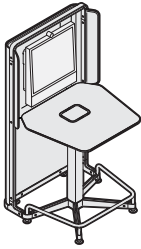
	Desk-Height kiosk	Stool-Height kiosk
Overall depth	38"	35"
Overall width	38"	38"
Overall height	59"	68"

Table:

Depth	33"	30"
Width	34"	34"
Height	29"	39"



media:scape kiosk



► Need help?
Product details,
page 70

Standard Includes

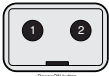
- kiosk: High-Pressure Laminate surface with 3 mm plastic edge on all sides
- Two PUCKs
- Base, feet, column, totem, frame, and media well: paint
- Totem infill: paint group 1
- Shroud infill: fabric price group 7
- Foot ring: stainless steel
- Display mounting hardware kit
- Steelcase maintenance agreement (1 year)

Required to Specify

- 1 Style number
 - 2 Laminate color number for surface
 - 3 Plastic color number for edges on laminate surface
 - 4 Paint color number for kiosk base, feet, column, totem frame, and media well: 4140 Arctic White Gloss, 4799 Platinum Metallic, 4803 Near Black Metallic
 - 5 Paint color number for totem infill
 - 6 Fabric color number for shroud infill: RE03 Pebble, RE05 Beige, RE08 Concrete Grey
 - 7 Maintenance agreement (see below under Required Selections)
 - 8 Display mounting hardware (see below under Required Selections)
 - 9 PUCKs (see below under Required Selections)
 - 10 Options, if selected (see below)
- See *Surface Materials*, page 154.

Tip: Steelcase maintenance agreement (1 year) is reflected in the base price of the product.

Tip: When specifying mixed PUCKs, please use the image below as a guide:



	Required Selections	U.S. Price	Required to Specify
Maintenance Agreement	• Steelcase maintenance agreement (1 year)	\$825 Included in U.S. Base Price	Specify with <i>Steelcase maintenance agreement (1 year)</i> .
Display Mounting Hardware	• Mounting hardware for 32" Display • Mounting hardware for Cisco EX90	No cost No cost	Specify with <i>mounting hardware for 32" display</i> . Specify with <i>mounting hardware for Cisco EX90</i> .
PUCKs	All PUCKs same type • VGA • HDMI • DisplayPort • Mini DisplayPort	No cost No cost No cost No cost	Specify with <i>VGA PUCKs</i> . Specify with <i>HDMI PUCKs</i> . Specify with <i>DisplayPort PUCKs</i> . Specify with <i>Mini DisplayPort PUCKs</i> .
	Mixed PUCK types • PUCK 1 - VGA - HDMI - DisplayPort - Mini DisplayPort • PUCK 2 - VGA - HDMI - DisplayPort - Mini DisplayPort	No cost No cost No cost No cost No cost No cost No cost No cost	Specify with <i>VGA PUCK</i> . Specify with <i>HDMI PUCK</i> . Specify with <i>DisplayPort PUCK</i> . Specify with <i>Mini DisplayPort PUCK</i> . Specify with <i>VGA PUCK</i> . Specify with <i>HDMI PUCK</i> . Specify with <i>DisplayPort PUCK</i> . Specify with <i>Mini DisplayPort PUCK</i> .

	Options	U.S. Price	Required to Specify
Surface Materials	High-Pressure Laminate Surface • Open line laminate	+\$ 67	► See <i>Surface Materials Reference Manual</i> .
	Wood veneer surface • Wood veneer surface with wood veneer edges • Premium wood 2 veneer surface with wood veneer edges • Premium wood 3 veneer surface with wood veneer edges • Customiz stain	+\$404 +\$470 +\$639 No cost	Specify with <i>wood veneer</i> and indicate wood color number. Specify Premium wood 2 finish number. Specify Premium wood 3 finish number. Specify with <i>Customiz stain</i> .
	• Full-fill finish	+\$ 67	► See <i>Surface Materials Reference Manual</i> . Specify full-fill finish number.

 **For Canadian Pricing**
Multiply U.S. Price by the Canadian price factor.
► See page 1 for details.

► **Options, continued on next page**

► Options, continued from previous page

Options	U.S. Price	Required to Specify
Surface Materials, continued	Painted aluminum infill	
• Paint price group 1	No cost	Specify paint color number.
• Paint price group 2	+\$ 33	Specify paint color number.
• Paint price group 3	+\$109	Specify paint color number.

Specification Information

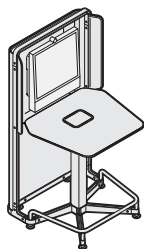
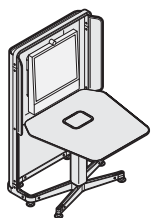
Dimensions			Style	U.S. Base
D	W	H	Number	Price (with Maintenance Agreement)

Desk-Height

38"	38"	59"	MT02DK	\$15,900
-----	-----	-----	---------------	----------

Stool-Height

35"	38"	68"	MT02SK	\$17,650
-----	-----	-----	---------------	----------



media:scape kiosk

 **For Canadian Pricing**
 Multiply U.S. Price by the Canadian price factor.
 ► See page 1 for details.

Understanding and Specifying media:scape mini and mobile



Statement of Line **80**



Product Details

media:scape mini and mobile	82
media:scape mobile with HDVC	84
Dimensions—media:scape mini and mobile	86



Specifying

media:scape mini	87
media:scape mobile	88
HDVC Kit	89

Statement of Line

media:scape mini and mobile

mini and mobile



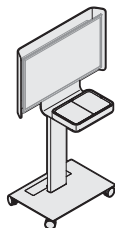
mini

Understanding

▶ Page 82

Specifying

▶ Page 87



mobile

Understanding

▶ Page 82

Specifying

▶ Page 88

media:scape PUCKS



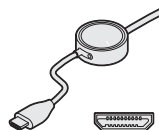
VGA

Understanding

▶ Page 34

Specifying

▶ Page 62



HDMI

Understanding

▶ Page 34

Specifying

▶ Page 62



DisplayPort

Understanding

▶ Page 34

Specifying

▶ Page 62



mini DisplayPort

Understanding

▶ Page 34

Specifying

▶ Page 62

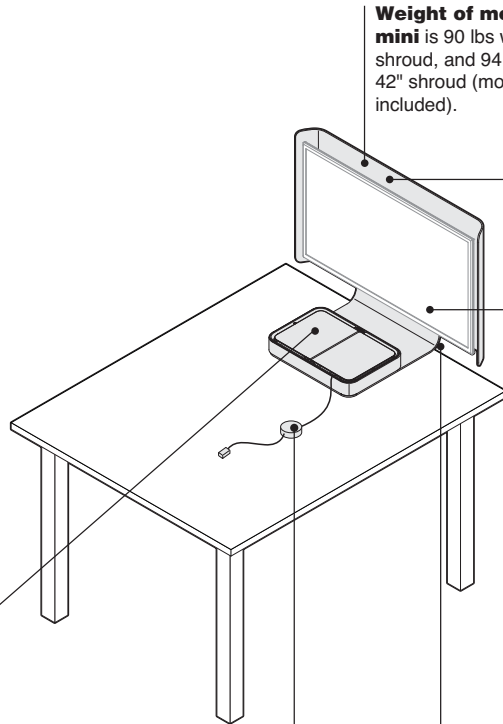
media:scape mini and mobile

media:scape mini can be placed on top of any surface to transform spaces into collaborative work environments, extending the media:scape experience to smaller, existing settings.
▶ Specifying, page 87

media:scape mini comes with four PUCKs available in VGA, HDMI, DisplayPort, and mini DisplayPort connectors.
▶ For *media:scape PUCKs* Understanding, see page 34

media:scape mini sets on the worksurfaces and does not require any attachments. For added security, mini can be bolted or locked to the worksurface.

Media well houses four power receptacles, a power button, PUCKs, and has a hinged cover.



Weight of media:scape mini is 90 lbs with the 40" shroud, and 94 lbs with the 42" shroud (monitor not included).

Shroud comes standard, and is easy to remove to provide access to technologies components.

Monitor is not included. *media:scape mini* has been optimized for either 40" or 42" LED monitors. For monitor selection criteria and recommendations, go to: www.steelcase.com/mediascape.

When using a 40" or 42" monitor that is not recommended by Steelcase, utilize the included hardware kit for mounting which provides all necessary cables and hardware to be used with mini. Monitors must be CEC compliant with an HDMI input. It is recommended that the monitor be commercial grade or equivalent.

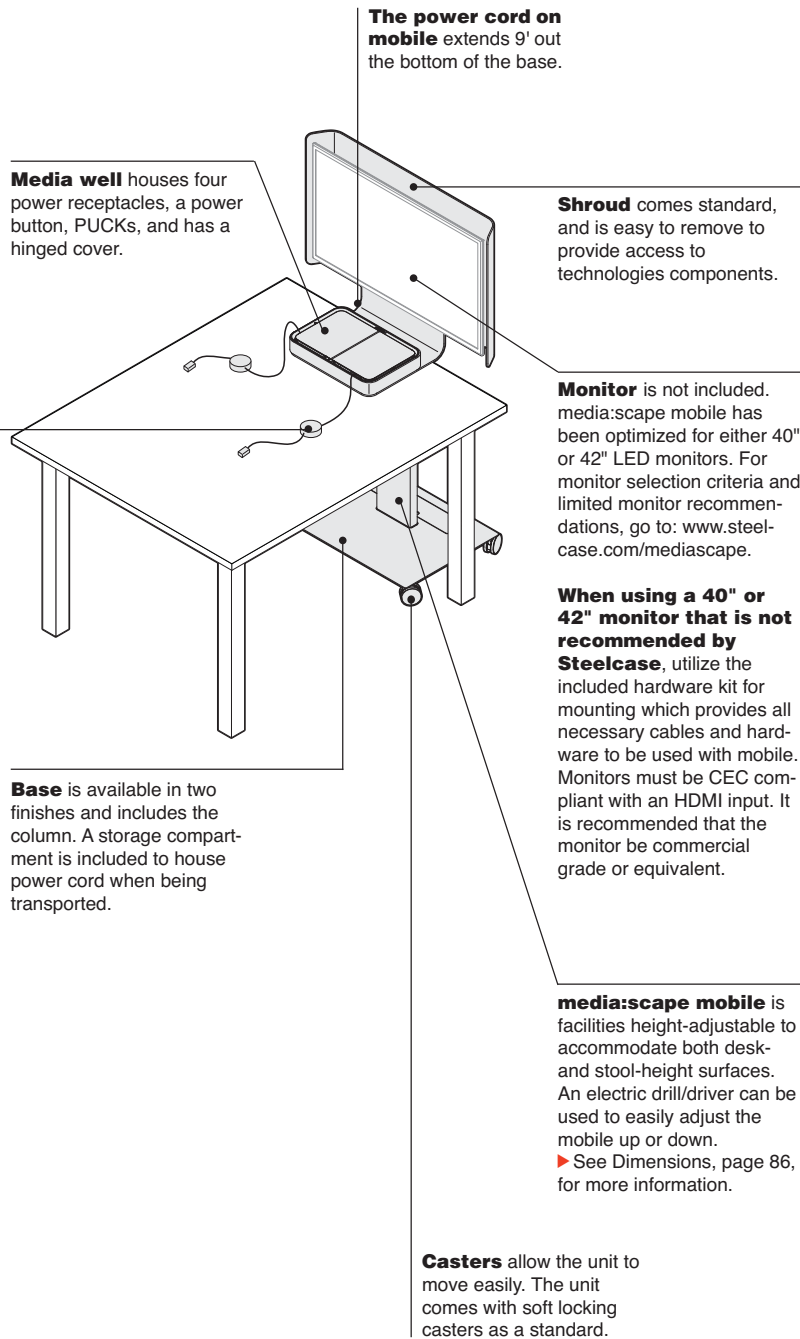
The power cord on mini extends 7' out the back of the base.

PUCKs (Personal User Control Key) enable the seamless flow of information between team members. PUCKs may be specified as VGA, HDMI, DisplayPort, or Mini DisplayPort.
▶ For *media:scape PUCKs* Understanding, see page 34

media:scape mobile allows users to apply media:scape in a diverse range of settings — from hospitality to education, business, and healthcare — wherever collaboration might occur.
▶ Specifying, page 88

media:scape mobile can be wheeled up to any worksurface and should be placed with media well floating above the worksurface.

PUCKs (Personal User Control Key) enable the seamless flow of information between team members. PUCKs may be specified as VGA, HDMI, DisplayPort, or Mini DisplayPort.
▶ For *media:scape PUCKs* Understanding, see page 34



Product Details

Built-in security holes allow monitors in media:scape mini and mobile to be secured using a Kensington lock.

Steelcase Maintenance Agreement

media:scape mini and mobile include a one year Steelcase maintenance agreement to provide an enhanced support system for media:scape settings with digital components. The maintenance agreement covers:

- software/firmware enhancements
- expedited shipping for hardware replacements
- prioritized technical support

Maintenance agreement renewal options are available for one, two, and three year periods.
▶ Specifying, page 164

Power and Data

Power is included.

Surface Materials

- Base**
- Paint
- Shroud, bridge, and media well**
- Paint to match base

media:scape mobile with HDVC

media:scape mobile can host video conferencing solutions. The HDVC kit includes a CODEC case, top-mount and under-mount camera ledges, a HDMI cable, and a hardware package. Monitor and camera are not included.

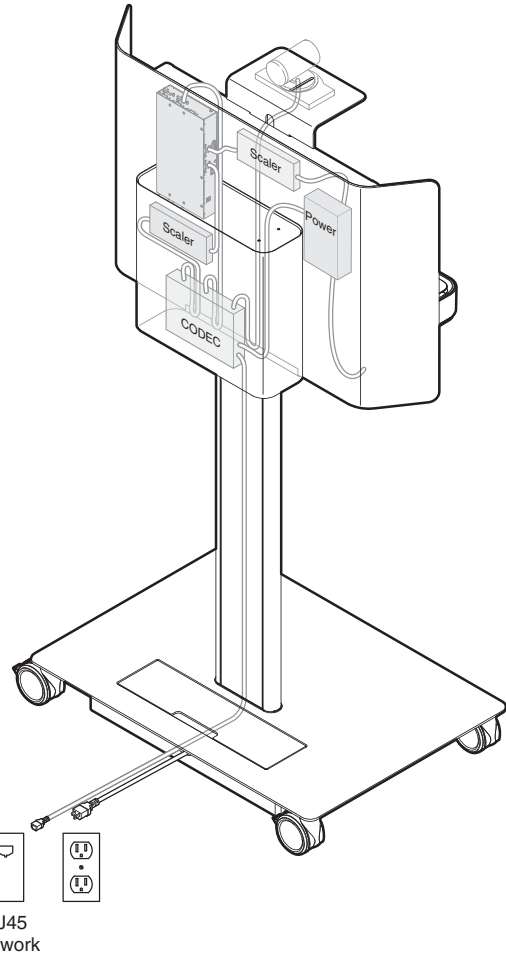
► Specifying, page 88

The CODEC case is designed for simplified installation of HDVC video conferencing with media:scape mobile. The location of the CODEC case allows easy access to all necessary connections when the shroud is removed.

The CODEC case is 5¾" thick to accommodate most CODECs. The perforated cover lets heat dissipate from the CODEC and allows access to hardware for services.

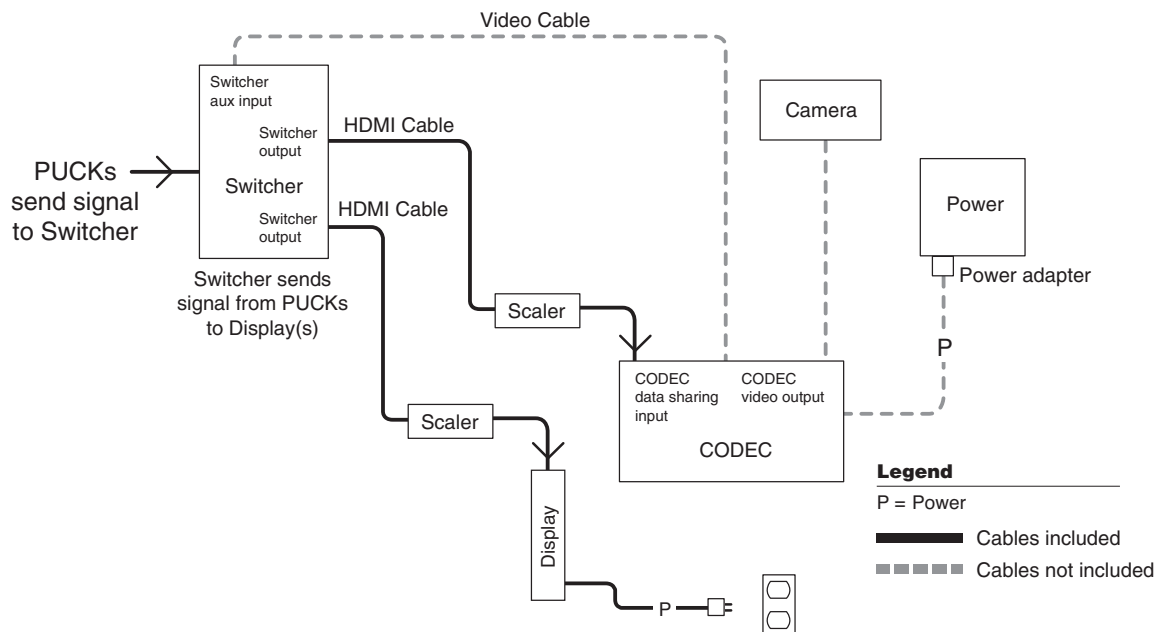
Tip: All CODECs may not fit. Check the dimensions of the CODEC before ordering CODEC case.

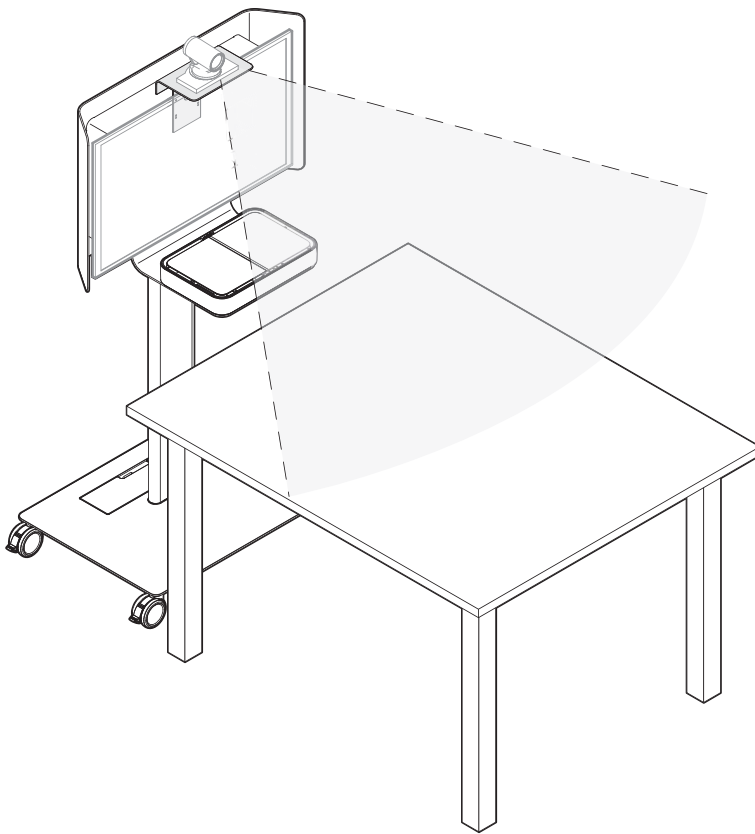
Tip: The HDVC kit, an additional scaler, and an HDMI cable are needed when integrating with an HD videoconferencing CODEC.



Actual Dimensions

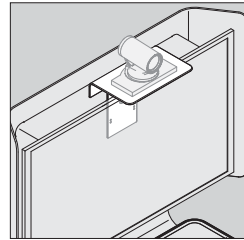
CODEC Case	Outer Dimensions	Inner Dimensions
Depth	5¾"	5⅛"
Width	17"	14⅜"
Height	16"	12⅜"



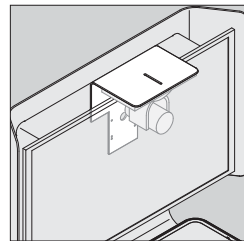


Tip: Sight lines will vary based on camera, mounting position, and distance from participants.

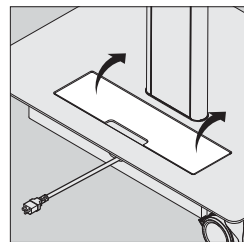
Product Details



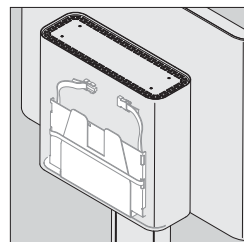
Top-mount camera ledge supports most industry standard HDVC cameras. Depth is 7" and width is 11 1/8".



Under-mount camera ledge accommodates most industry standard HDVC cameras. Depth is 8" and width is 11 1/8".



Flip-up door in base provides easy access to a power and data cables storage compartment.



A tether buckle is included to secure the CODEC. A Kensington lock is not included but recommended for security.

Surface Materials

HDVC kit
• Paint

Dimensions

media:scape mini and mobile

Actual Dimensions

	40" mini	42" mini	40" mobile	42" mobile
Overall width	40"	43"	40"	43"
Overall height	28"	30½"	56½"–70½"	59"–73"
Overall depth	21"	21"	20"	20"
Overall interior width	37½"	40½"	37½"	40½"

Media well dimensions:

Width (all applications) 18¼"

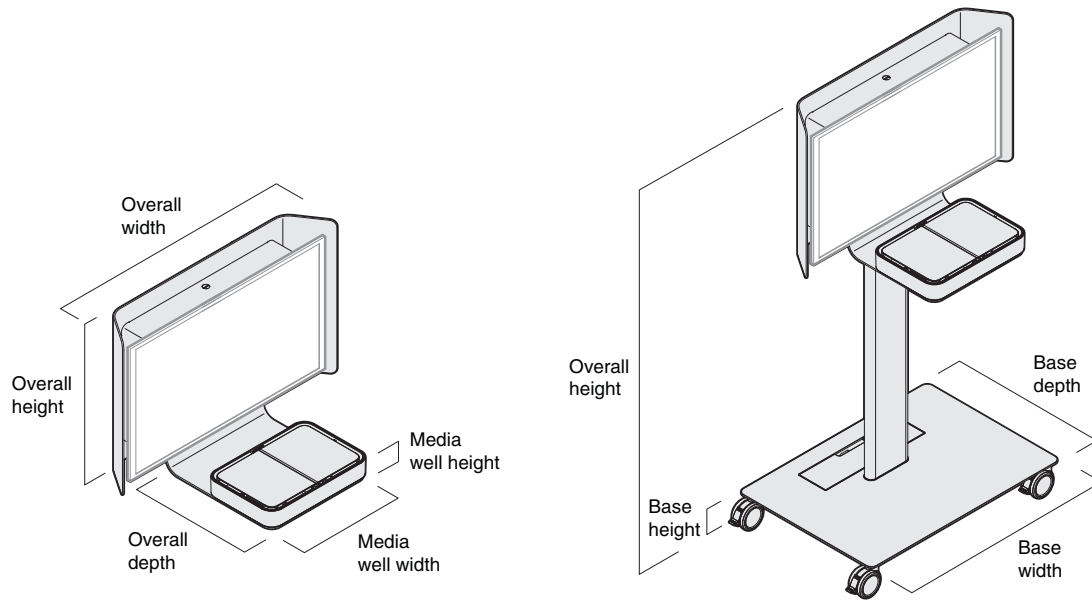
Height (all applications) 3¾"

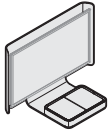
Mobile only dimensions:

Base depth 26½"

Base width 36"

Base height 5"



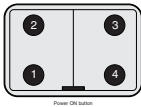


Standard Includes	Required to Specify
<ul style="list-style-type: none"> ▶ Need help? Product details, page 82 • Shroud, bridge, and media well: paint • Four PUCKs • Monitor hardware kit • Steelcase maintenance agreement (1 year) 	<ol style="list-style-type: none"> 1 Style number 2 Paint color number for shroud, bridge, and media well: <ul style="list-style-type: none"> 4140 Arctic White Gloss 4803 Near Black Metallic 3 Maintenance agreement (see below under Required Selections) 4 Shroud size (see below under Required Selections) 5 PUCKs (see below under Required Selections)

Tip: Steelcase maintenance agreement (1 year) is reflected in the base price of the product.

Maintenance Agreement	Required Selections	U.S. Price	Required to Specify
	<ul style="list-style-type: none"> • Steelcase maintenance agreement (1 year) 	\$825 Included in U.S. Base Price	Specify with <i>Steelcase maintenance agreement (1 year)</i> .
	Shroud Size <ul style="list-style-type: none"> • Shroud for 40" monitor • Shroud for 42" monitor 	No cost No cost	Specify with <i>shroud for 40" monitor</i> . Specify with <i>shroud for 42" monitor</i> .
	PUCKs <p>All PUCKs same type</p> <ul style="list-style-type: none"> • VGA • HDMI • DisplayPort • Mini DisplayPort <p>Mixed PUCK types</p> <ul style="list-style-type: none"> • PUCK 1 <ul style="list-style-type: none"> - VGA - HDMI - DisplayPort - Mini DisplayPort • PUCK 2 <ul style="list-style-type: none"> - VGA - HDMI - DisplayPort - Mini DisplayPort • PUCK 3 <ul style="list-style-type: none"> - VGA - HDMI - DisplayPort - Mini DisplayPort • PUCK 4 <ul style="list-style-type: none"> - VGA - HDMI - DisplayPort - Mini DisplayPort 	No cost No cost No cost No cost No cost No cost No cost No cost No cost No cost No cost No cost No cost No cost No cost No cost	Specify with <i>VGA PUCKs</i> . Specify with <i>HDMI PUCKs</i> . Specify with <i>DisplayPort PUCKs</i> . Specify with <i>Mini DisplayPort PUCKs</i> . Specify with <i>VGA PUCK</i> . Specify with <i>HDMI PUCK</i> . Specify with <i>DisplayPort PUCK</i> . Specify with <i>Mini DisplayPort PUCK</i> . Specify with <i>VGA PUCK</i> . Specify with <i>HDMI PUCK</i> . Specify with <i>DisplayPort PUCK</i> . Specify with <i>Mini DisplayPort PUCK</i> . Specify with <i>VGA PUCK</i> . Specify with <i>HDMI PUCK</i> . Specify with <i>DisplayPort PUCK</i> . Specify with <i>Mini DisplayPort PUCK</i> .

Tip: When specifying mixed PUCKs, please use the image below as a guide:

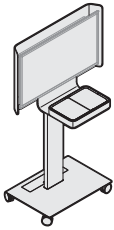


media:scape mini and mobile

Specification Information			
Dimensions	Style	U.S. Base Price (with Maintenance Agreement)	
D	W	Number	Price
21"	40"	M02MINIA	\$12,263

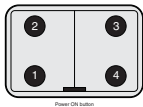
For Canadian Pricing
Multiply U.S. Price by the Canadian price factor.
▶ See page 1 for details.

media:scape mobile



Tip: Steelcase maintenance agreement (1 year) is reflected in the base price of the product.

Tip: When specifying mixed PUCKs, please use the image below as a guide:



Standard Includes	Required to Specify
<ul style="list-style-type: none"> ▶ Need help? Product details, page 82 • Base, shroud, bridge, and media well: paint • Four PUCKs • 3"-diameter soft casters: grey with black edge only • Monitor hardware kit • Steelcase maintenance agreement (1 year) 	<ol style="list-style-type: none"> 1 Style number 2 Paint color number for base, shroud, bridge, and media well: <ul style="list-style-type: none"> 4140 Arctic White Gloss 4803 Near Black Metallic 3 Maintenance agreement (see below under Required Selections) 4 Shroud size (see below under Required Selections) 5 PUCKs (see below under Required Selections) 6 Options, if selected (see below)

Required Selections	U.S. Price	Required to Specify
Maintenance Agreement <ul style="list-style-type: none"> • Steelcase maintenance agreement (1 year) 	\$825 Included in U.S. Base Price	Specify with <i>Steelcase maintenance agreement (1 year)</i> .
Shroud Size <ul style="list-style-type: none"> • Shroud for 40" monitor • Shroud for 42" monitor 	No cost No cost	Specify with <i>shroud for 40" monitor</i> . Specify with <i>shroud for 42" monitor</i> .
PUCKs <p>All PUCKs same type</p> <ul style="list-style-type: none"> • VGA • HDMI • DisplayPort • Mini DisplayPort <p>Mixed PUCK types</p> <ul style="list-style-type: none"> • PUCK 1 <ul style="list-style-type: none"> - VGA - HDMI - DisplayPort - Mini DisplayPort • PUCK 2 <ul style="list-style-type: none"> - VGA - HDMI - DisplayPort - Mini DisplayPort • PUCK 3 <ul style="list-style-type: none"> - VGA - HDMI - DisplayPort - Mini DisplayPort • PUCK 4 <ul style="list-style-type: none"> - VGA - HDMI - DisplayPort - Mini DisplayPort 	No cost No cost No cost No cost No cost No cost No cost No cost No cost No cost No cost No cost No cost No cost No cost No cost	Specify with <i>VGA PUCKs</i> . Specify with <i>HDMI PUCKs</i> . Specify with <i>DisplayPort PUCKs</i> . Specify with <i>Mini DisplayPort PUCKs</i> . Specify with <i>VGA PUCK</i> . Specify with <i>HDMI PUCK</i> . Specify with <i>DisplayPort PUCK</i> . Specify with <i>Mini DisplayPort PUCK</i> . Specify with <i>VGA PUCK</i> . Specify with <i>HDMI PUCK</i> . Specify with <i>DisplayPort PUCK</i> . Specify with <i>Mini DisplayPort PUCK</i> . Specify with <i>VGA PUCK</i> . Specify with <i>HDMI PUCK</i> . Specify with <i>DisplayPort PUCK</i> . Specify with <i>Mini DisplayPort PUCK</i> .

Options	U.S. Price	Required to Specify
HDVC <ul style="list-style-type: none"> • HDVC kit 	+\$1428	Specify with <i>HDVC kit</i> .

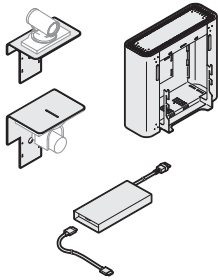
Specification Information				
• Dimensions			• Style Number	• U.S. Base Price (with Maintenance Agreement)
D	W	H		
20"	40"	56½" – 70½"	M02MOBILEA	\$15,833

For Canadian Pricing
Multiply U.S. Price by the Canadian price factor.
▶ See page 1 for details.

HDVC Kit

HDVC Kit

For Use with media:scape mobile



Standard Includes	Required to Specify
-------------------	---------------------

- | | |
|--|--|
| <ul style="list-style-type: none"> • Top-mount camera ledge • Under-mount camera ledge • CODEC case • Scaler • HDMI cable • Hardware package | <ul style="list-style-type: none"> 1 Style number 2 Paint color number: <ul style="list-style-type: none"> 4140 Arctic White Gloss 4803 Near Black Metallic |
|--|--|

Specification Information	
Style Number	U.S. Price

Style Number	U.S. Price
M02MOBILEHK	\$1428

media:scape mini and mobile



For Canadian Pricing
 Multiply U.S. Price by the Canadian price factor.
 ▶ See page 1 for details.



Understanding and Specifying ScapeSeries Tables



Statement of Line **92**



Product Details

ScapeSeries Tables **93**



Specifying

ScapeSeries Tables **94**

Power and Data Strip **95**

Statement of Line

ScapeSeries Tables

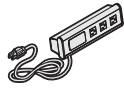
ScapeSeries Tables



Desk-Height
Understanding
▶ Page 93
Specifying
▶ Page 94



Stool-Height
Understanding
▶ Page 93
Specifying
▶ Page 94



Power and Data Strip
Understanding
▶ Page 93
Specifying
▶ Page 95

ScapeSeries table

supplies power to users and invites others to walk up and collaborate in multiple postures. It combines cornerless curves with straight sides that may dock alongside walls more effectively than typical round café tables, resulting in a more thoughtful relationship between workspaces, users, and the interior architecture.

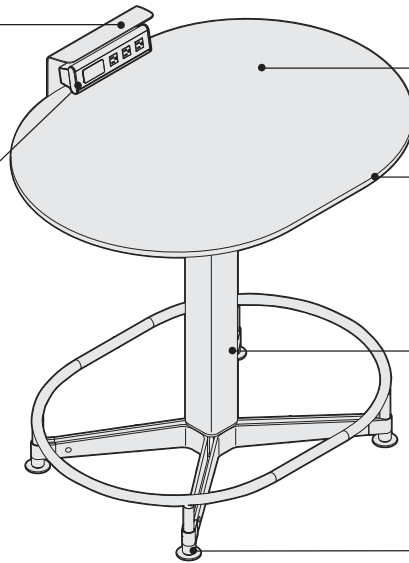
► Specifying, page 94

Shroud comes standard with the table. It clamps to the underside of the work surface and conceals the power and data strip.

Power and data strip

includes three simplex receptacles and space for customer supplied voice/data outlets. It is not included with the table and needs to be specified separately.

► See page 95



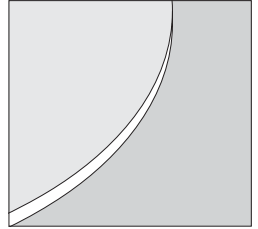
Surfaces are available in both laminate and veneer.

Profile surfaces have a 3 mm edge banding along all sides.

Base is available in three finishes and includes a column and legs. A stainless steel foot ring is standard on the stool-height tables.

Glides provide 1" of adjustment for leveling.

Product Details



Laminate surface edges are plastic and finish selection is available.

► See *Recommended Surface Edge Finishes*, page 161, for recommendations.

Veneer surface edges are veneer and match the top surface.

Power and Data

Power and data strip is ordered separately. Cables are routed along the underside of the work surface and down the column. Electrical specifications are: ~120V, 15A, 180W, and 60HZ.

Surface Materials

Surface

- Laminate
- Wood veneer

Edge

- Plastic – laminate surfaces
- Wood veneer – wood veneer surfaces

Base

- Paint

Column and shroud

- Paint to match base

Foot ring

- Stainless steel

Power and data strip

- 8043 Clear Anodized Aluminum cover with black faceplate

Actual Dimensions

Depth	32"
Width	42"
Thickness	¾"
Desk Height	29"
Stool Height	38"

Power and Data Strip

Depth	2¼"
Width	10¼"
Height	3"

ScapeSeries Tables

Tip: If ordering shroud, remember to order a power strip, style number SSBPDSWSPL.
▶ Page 95

Tip: media:scape technologies (PUCKs) is not included.
▶ For media:scape tables, see pages 42-52.

Standard Includes	Required to Specify
<ul style="list-style-type: none"> ▶ Need help? Product details, page 93 • Table: High-Pressure Laminate surface with 3 mm plastic edge on all sides • Column, table base, legs, and shroud: paint • Foot ring, if stool-height selected: 803S Stainless Steel only 	<ol style="list-style-type: none"> 1 Style number 2 Laminate color number for surface 3 Plastic color number for edges on laminate surface 4 Paint color for column, table base, legs, and shroud: <ul style="list-style-type: none"> 4140 Arctic White Gloss 4799 Platinum Metallic 4803 Near Black Metallic 5 Options, if selected (see below) ▶ See <i>Surface Materials</i> , page 154.

Options	U.S. Price	Required to Specify
Surface Materials High-Pressure Laminate tables <ul style="list-style-type: none"> • Open Line laminate 	+\$ 67 plus cost of laminate	▶ See <i>Surface Materials Reference Manual</i> .
Wood veneer tables <ul style="list-style-type: none"> • Wood veneer surface with wood veneer edges (3 mm edge profile) • Premium wood 2 veneer surface with wood veneer edges (3 mm edge profile) • Premium wood 3 veneer surface with wood veneer edges (3 mm edge profile) • Customiz stain 	+\$174 +\$124 +\$311 No cost	Specify <i>with wood veneer</i> and indicate wood color number. Specify Premium wood 2 finish number. Specify Premium wood 3 finish number. Specify <i>with Customiz stain</i> .
<ul style="list-style-type: none"> • Full-fill finish 	+\$ 52	▶ See <i>Surface Materials Reference Manual</i> . Specify full-fill finish number.
Shroud <ul style="list-style-type: none"> • Omit shroud 	-\$ 31	Specify <i>omit shroud</i> .

Specification Information				
Dimensions			Style	U.S.
D	W	H	Number	Base Price

Desk-Height

32"	42"	29"	SSTD3242	\$1632

Stool-Height

32"	42"	38"	SSTS3242	\$2397



For Canadian Pricing
Multiply U.S. Price by the Canadian price factor.
▶ See page 1 for details.



Tip: Bracket for power and data strip is included with ScapeSeries table shroud.

Standard Includes	Required to Specify
<ul style="list-style-type: none"> ▶ Need help? Product details, page 93 	<ul style="list-style-type: none"> • Power and data strip with cord: 8043 Clear Anodized • Aluminum cover with black faceplate
	Style number

Specification Information				
• Dimensions			• Style	• U.S.
D	W	H	Number	Price
2 1/4"	10 1/4"	3"	SSBPDSWSPL	\$168

 **For Canadian Pricing**
 Multiply U.S. Price by the Canadian price factor.
 ▶ See page 1 for details.



Understanding and Specifying media:scape Lounge



Statement of Line **98**



Product Details

media:scape Lounge	100
Dimensions—media:scape Lounge	104
Canopy and Ledge Surface Material Relationships	106



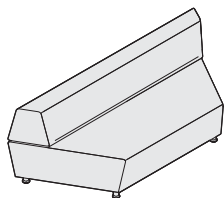
Specifying

Straight Lounge	108
Straight Inverted Lounge	112
Corner Lounge	114
Reverse Lounge	118
Backless Lounge	122

Statement of Line

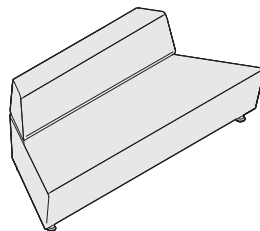
media:scape Lounge

Straight Lounge



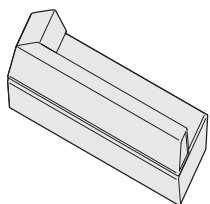
Understanding
▶ Page 100
Specifying
▶ Page 108

Straight Inverted Lounge

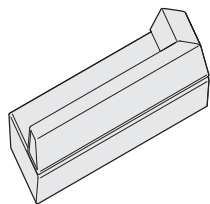


Understanding
▶ Page 100
Specifying
▶ Page 112

Corner Lounge

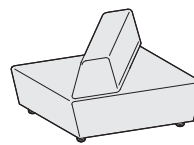


Left Corner
Understanding
▶ Page 100
Specifying
▶ Page 114

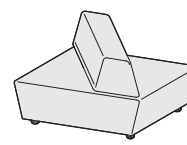


Right Corner
Understanding
▶ Page 100
Specifying
▶ Page 114

Reverse Lounge

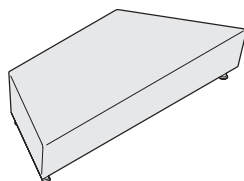


Reverse Left
Understanding
▶ Page 100
Specifying
▶ Page 118



Reverse Right
Understanding
▶ Page 100
Specifying
▶ Page 118

Backless Lounge



Understanding
▶ Page 100
Specifying
▶ Page 122

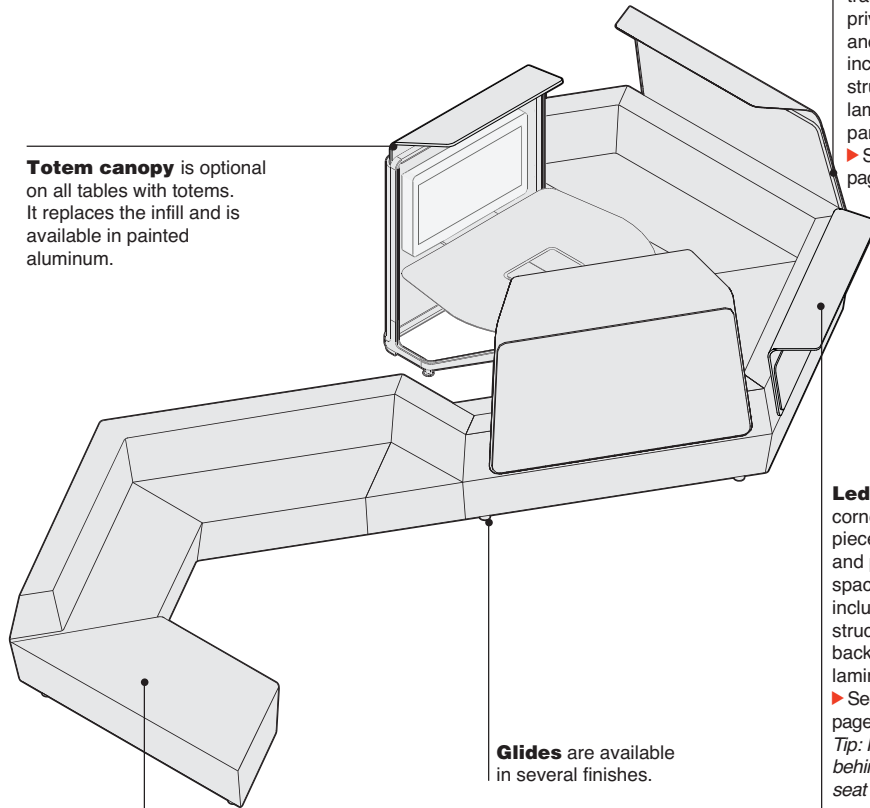
media:scape Lounge

media:scape lounge creates collaborative work settings designed to support small teams of four to six people.
▶ Specifying, page 108

media:scape lounge offers seven lounge pieces: straight, straight inverted, backless, right corner, left corner, reverse left, and reverse right. The lounge is designed to be easily reconfigured in many different ways to accommodate multiple settings. There are three different fabric orientations to choose from.

Due to the geometric shapes, it is recommended to use one of the standard fabrics, vinyls, leather, or a non-patterned COM, COL, or COV. The use of solid fabrics is recommended with media:scape lounge settings. Steelcase will not pattern match fabrics which have a distinct repeating pattern.

Tip: Canopy and ledge back panels are not available in full-fill or flat cut.



Totem canopy is optional on all tables with totems. It replaces the infill and is available in painted aluminum.

Lounge fabric is available in select Steelcase and DesignTex fabrics.

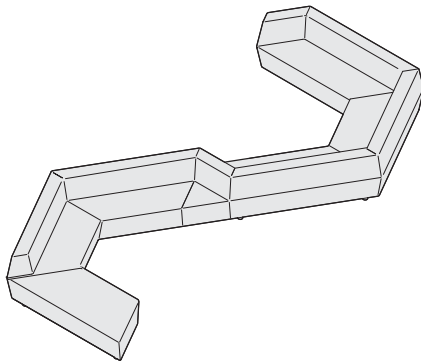
Glides are available in several finishes.

Lounge canopy is optional on all corner and straight lounge pieces. It transforms the degree of privacy providing an intimate and protected setting. It includes a painted aluminum structure, fabric panel, and a laminate or veneer back panel.
▶ See *Thought Starters*, page 7.

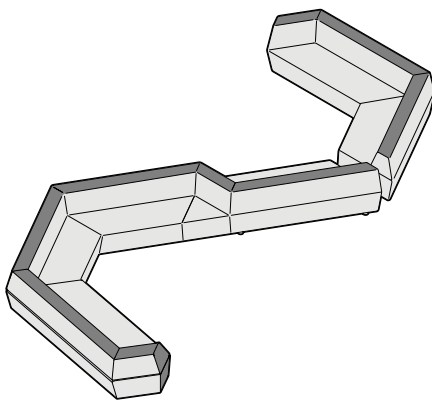
Ledge is optional on all corner and straight lounge pieces. It acts as a surface and provides additional space for collaboration. It includes a painted aluminum structure, laminate or veneer back panel, and an optional laminate or veneer topper.
▶ See *Thought Starters*, page 7.

Tip: If specifying seating behind the ledge, maximum seat height should be 31" to provide appropriate leg clearance.

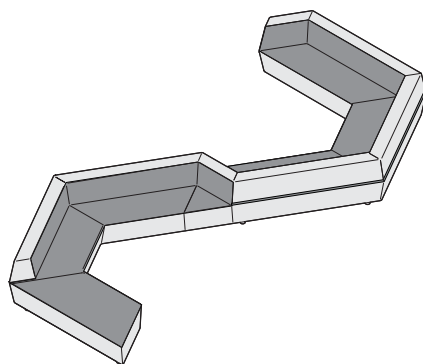
Upholstery Orientations



Same - The entire lounge is one fabric.

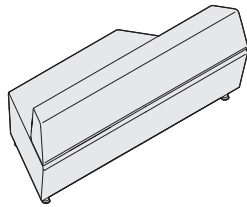


Edge - The top of the lounge is one fabric, along with the end of the corner unit. The remaining sides are a second fabric.

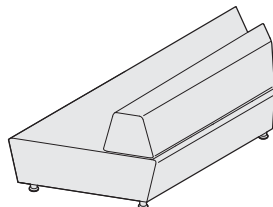


Front seat and back - The seat surface and the front of the back is one fabric and all other panels are a second fabric. The reveal on the back of the lounge is the same fabric as the seat surface and the front of the back.

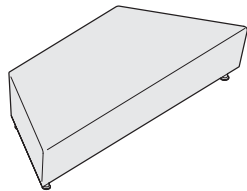
Product Details



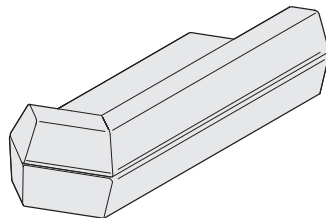
Straight lounge has a straight back which tapers to the front of the seat.



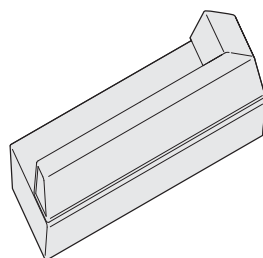
Straight inverted lounge has a straight back. It tapers from front to the back of the seat.



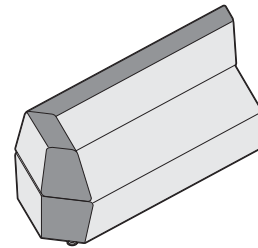
Backless lounge is the same shape as the straight lounge and tapers to the front of the seat.



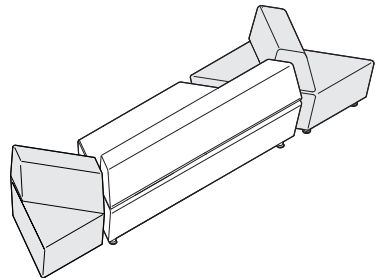
Left corner lounge is left-handed in a seated position.



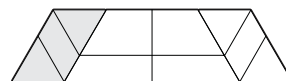
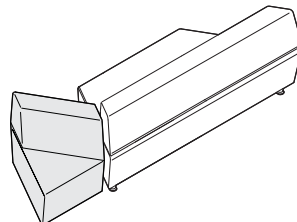
Right corner lounge is right-handed in a seated position.



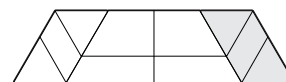
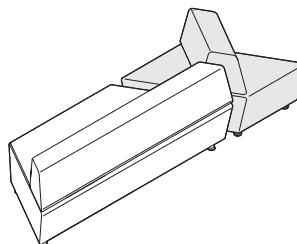
The end of the corner lounges will have the same fabric as the top when edge upholstery is specified.



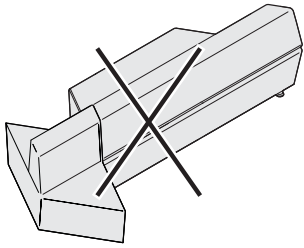
Reverse lounges are either right-handed or left-handed and provide the ability to transition seating from one side of an application to the other. They can be applied in either angled or straight applications.



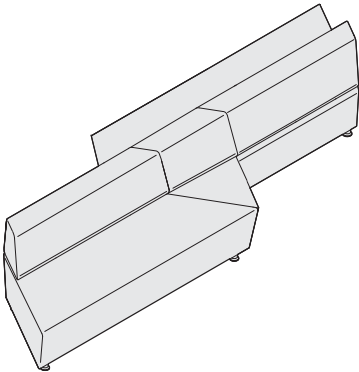
Reverse left, when fitted next to a straight lounge, provides an angle similar to the corner left.



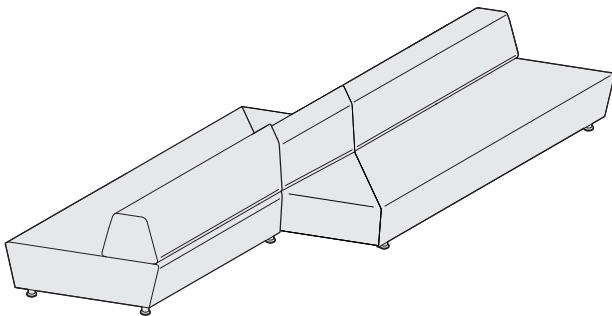
Reverse right, when fitted next to a straight lounge, provides an angle similar to the corner right.



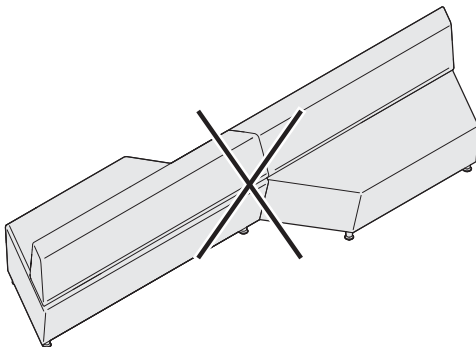
Reverse lounges, that are specified with incorrect handed orientation will not align with other lounge pieces.



Use a reverse left to transition seating from one side of the application to the other and have seating on the left hand side.



Use a reverse right to transition seating from one side of an application to the other and have seating on the right side.



A reverse lounge piece must be used to transition seating from one side of an application to another. Attempting to transition seating without a reverse will prohibit adjacent lounges from being ganged together.

Surface Materials

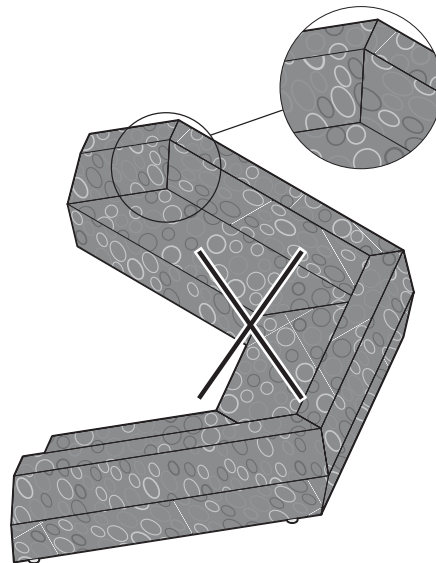
Upholstery

- Steelcase or Designtex fabric
 - Fabric with soil-retardant treatment (option)
 - Leather
- ▶ See *Surface Materials*, page 154.

Tip: Thread color that is associated with the more dominant fabric will be used throughout the upholstery. Therefore, with the multiple upholstery option, the thread may be a contrasting color.

Glides

- 4140 Arctic White Gloss
- 4799 Platinum
- 4803 Near Black Metallic
- 8046 Polished Aluminum



Solid non-repeat fabrics are recommended for media:scape lounge because of the unique geometric shapes. When patterned fabrics are selected, patterns are not matched.

Programs & Services

- ▶ See the *Surface Materials Reference Manual* for further detail about programs and services offered for seating.

The Customer's Own Material (COM & COL) Program offers the opportunity for customers to select fabrics and leather that are not offered through the standard Steelcase surface materials program for use on Steelcase products. Avoid pattern fabrics and heavily grained leathers. Through the COM & COL program, Steelcase will test your materials for application on Steelcase products. Once approved, you can place your order. Steelcase will facilitate the entire ordering process and give you a production schedule. Steelcase will order the COM & COL fabric and leather directly from the textile manufacturer. For up-to-date information regarding fabric test results for all COM & COL fabrics and details regarding yardage requirements for most Seating lines, visit the COM Web site. To locate the COM Web site:

- Visit www.steelcase.com

Soil retardants are treatments that provide long-term soil and stain resistance to a fabric without affecting the shade or the integrity of the fabric. The following Steelcase Textiles are available pretreated with soil retardant. (You do not need to select the soil-retardant option for these fabrics and incur the upcharge.)

- Jacks
- Link
- Spyder

For information on soil retardant fabrics on Select Surfaces, please refer to the *Surface Materials Reference Manual*.

Soil-retardant treatment is available on all other seating fabrics at an additional upcharge per seating unit. To order this option, please select "Soil-Retardant Treatment" under "Optional Accessories."

For soil-retardant treatment on COMs, please select "Soil-Retardant Treatment" under "Optional Accessories." Minimums or additional yardage may be required. Please contact the vendor directly for specific information.

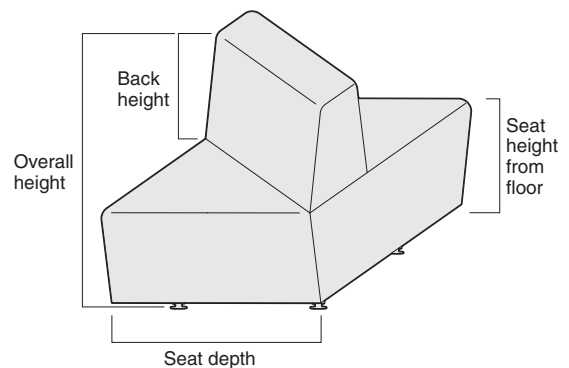
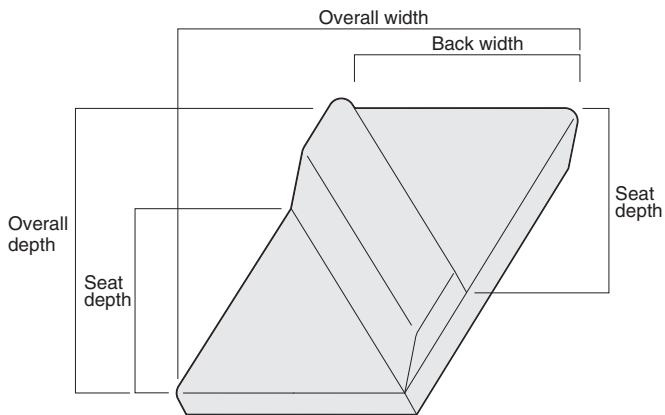
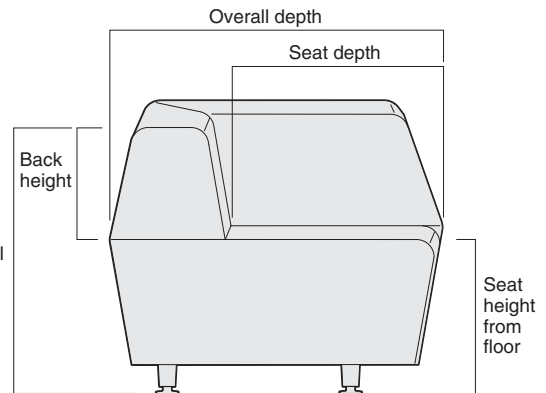
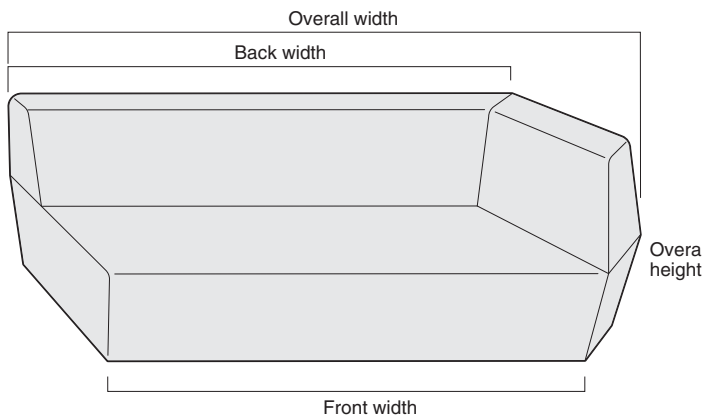
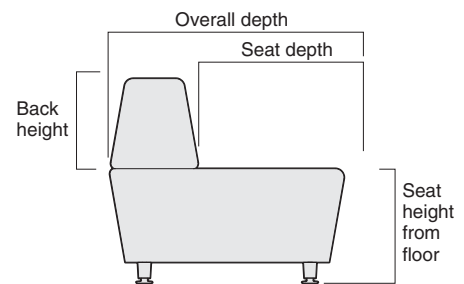
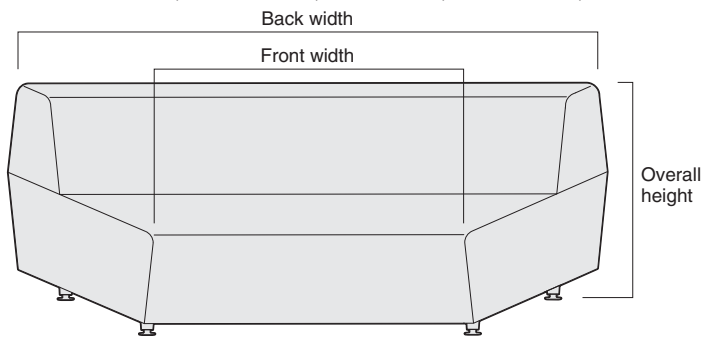
Extended lead times may be necessary for this service.

Contact your Steelcase Solutions Fulfillment Team Representative at 1.888.STEELCASE (1.888.783.3522) or send an email to lineone@steelcase.com.

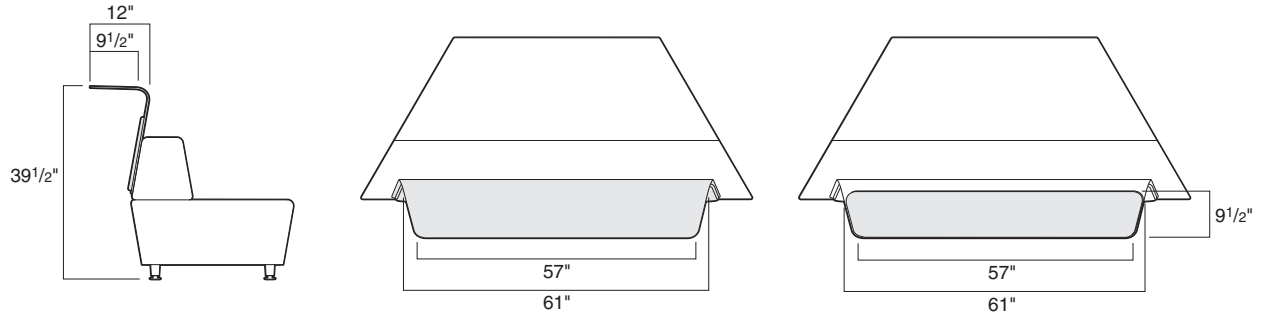
Dimensions

media:scape Lounge

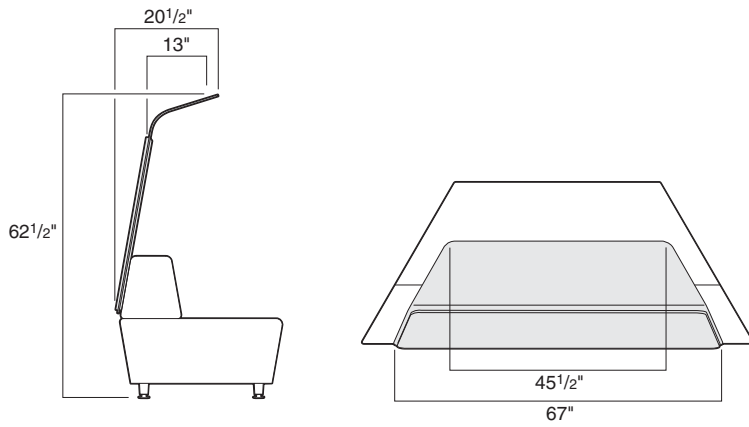
• Features	• Overall Width	• Back Width	• Front Width	• Overall Depth	• Seat Depth	• Overall Height	• Seat Height from Floor	• Back Height
media:scape Lounge								
Straight	80"	80"	42"	33"	21"	29"	16"	13"
Straight Inverted	80"	42"	80"	33"	21"	29"	16"	13"
Backless	80"	80"	42"	33"	33"	16"	16"	13"
Corner (left, right)	92"	80"	66"	33"	21"	29"	16"	13"
Reverse (left, right)	43"	24"	24"	33"	21"	29"	16"	13"



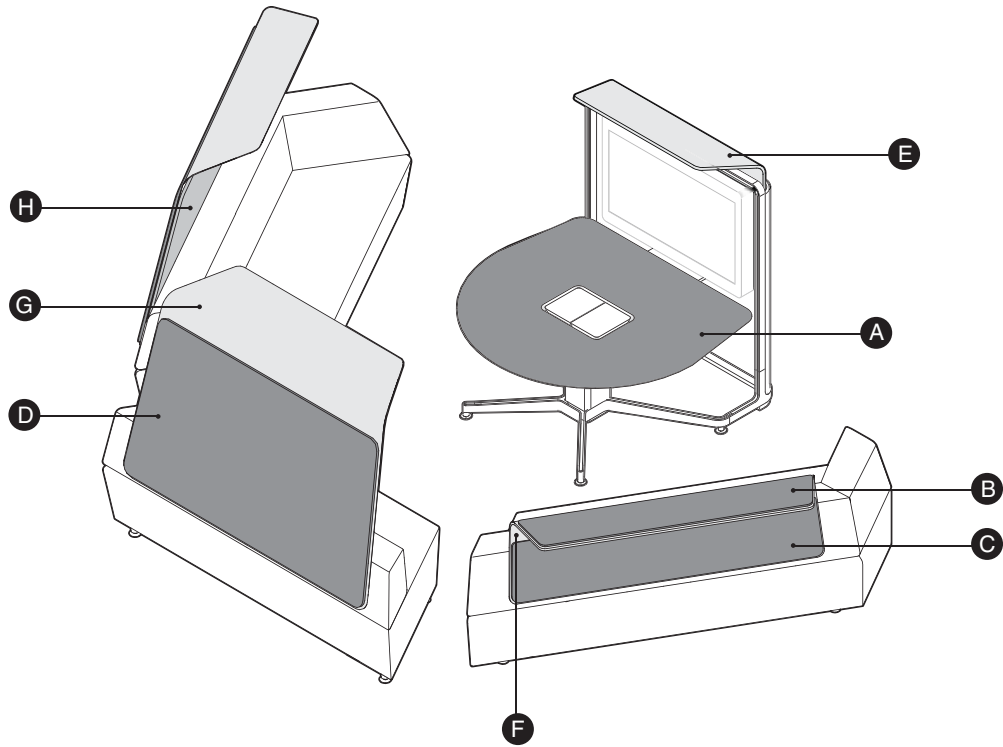
Ledge



Canopy



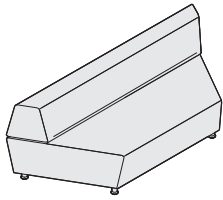
Canopy and Ledge Surface Material Relationships



Recommended Components

	Laminate/ Veneer	Painted Aluminum	Connect 3D Fabric
A	Table top	E Totem canopy infill	H Canopy fabric panel
B	Topper	F Ledge	
C	Ledge back panel	G Canopy	
D	Canopy back panel		

Straight Lounge



Standard Includes	Required to Specify
<ul style="list-style-type: none"> ▶ Need help? Product details, page 100 • Straight lounge: fabric • Aluminum feet: paint • Ganging brackets 	<ol style="list-style-type: none"> 1 Style number 2 Fabric color number for upholstery 3 Paint color number for feet: <ul style="list-style-type: none"> 4140 Arctic White Gloss 4799 Platinum Metallic 4803 Near Black Metallic 4 Options, if selected (see below) <p>▶ See <i>Surface Materials</i>, page 154.</p>

Options	U.S. Price	Required to Specify
Surface Materials <ul style="list-style-type: none"> • Soil-retardant treatment applied to upholstery fabric 	+\$ 46	Specify <i>with soil-retardant treatment</i> .
Same upholstery on all surfaces		
<ul style="list-style-type: none"> • Fabric price group 1 • Fabric price group 2 • Fabric price group 3 • Fabric price group 4 • Fabric price group 5 • Fabric price group 6 • Fabric price group 7 • Fabric price group 8 • Fabric price group 9 • Fabric price group 10 • Leather 	No cost +\$ 30 +\$ 115 +\$ 288 +\$ 490 +\$ 749 +\$1067 +\$1384 +\$1702 +\$1961 +\$2191	Specify fabric color number. Specify fabric color number. Specify fabric color number. Specify fabric color number. Specify fabric color number. Specify fabric color number. Specify fabric color number. Specify fabric color number. Specify fabric color number. Specify fabric color number. Specify leather color number.
Edge upholstery: Upholstery on edge		
<ul style="list-style-type: none"> • Fabric price group 1 • Fabric price group 2 • Fabric price group 3 • Fabric price group 4 • Fabric price group 5 • Fabric price group 6 • Fabric price group 7 • Fabric price group 8 • Fabric price group 9 • Fabric price group 10 • Leather 	No cost +\$ 3 +\$ 10 +\$ 30 +\$ 49 +\$ 75 +\$ 108 +\$ 139 +\$ 171 +\$ 197 +\$ 219	Specify fabric color number. Specify fabric color number. Specify fabric color number. Specify fabric color number. Specify fabric color number. Specify fabric color number. Specify fabric color number. Specify fabric color number. Specify fabric color number. Specify fabric color number. Specify leather color number.
One upholstery on all surfaces except edge		
<ul style="list-style-type: none"> • Fabric price group 1 • Fabric price group 2 • Fabric price group 3 • Fabric price group 4 • Fabric price group 5 • Fabric price group 6 • Fabric price group 7 • Fabric price group 8 • Fabric price group 9 • Fabric price group 10 • Leather 	No cost +\$ 28 +\$ 105 +\$ 259 +\$ 442 +\$ 674 +\$ 960 +\$1245 +\$1531 +\$1765 +\$1972	Specify fabric color number. Specify fabric color number. Specify fabric color number. Specify fabric color number. Specify fabric color number. Specify fabric color number. Specify fabric color number. Specify fabric color number. Specify fabric color number. Specify fabric color number. Specify leather color number.

▶ Options, continued on next page

Tip: If selecting edge upholstery option, first select the fabric for the edge, then select the fabric for all other surfaces.



For Canadian Pricing
 Multiply U.S. Price by the Canadian price factor.
 ▶ See page 1 for details.

► Options, continued from previous page

Tip: If selecting front seat and back upholstery option, first select the fabric for the front of the back and seat, then select the fabric for all other surfaces.

	Options	U.S. Price	Required to Specify
Surface Materials	Front seat and back upholstery: Upholstery on front seat and back		
	<ul style="list-style-type: none"> • Fabric price group 1 No cost • Fabric price group 2 +\$ 10 • Fabric price group 3 +\$ 46 • Fabric price group 4 +\$ 115 • Fabric price group 5 +\$ 197 • Fabric price group 6 +\$ 300 • Fabric price group 7 +\$ 427 • Fabric price group 8 +\$ 554 • Fabric price group 9 +\$ 681 • Fabric price group 10 +\$ 784 • Leather +\$ 876 		<ul style="list-style-type: none"> Specify fabric color number. Specify fabric color number. Specify fabric color number. Specify fabric color number. Specify fabric color number. Specify fabric color number. Specify fabric color number. Specify fabric color number. Specify fabric color number. Specify fabric color number. Specify leather color number.
	Upholstery on all surfaces except front seat and back		
	<ul style="list-style-type: none"> • Fabric price group 1 No cost • Fabric price group 2 +\$ 16 • Fabric price group 3 +\$ 69 • Fabric price group 4 +\$ 173 • Fabric price group 5 +\$ 293 • Fabric price group 6 +\$ 450 • Fabric price group 7 +\$ 640 • Fabric price group 8 +\$ 830 • Fabric price group 9 +\$1021 • Fabric price group 10 +\$1177 • Leather +\$1315 		<ul style="list-style-type: none"> Specify fabric color number. Specify fabric color number. Specify fabric color number. Specify fabric color number. Specify fabric color number. Specify fabric color number. Specify fabric color number. Specify fabric color number. Specify fabric color number. Specify fabric color number. Specify leather color number.
	COM / COL		
	<ul style="list-style-type: none"> • Customer's Own Material (COM) +\$ 35 • Customer's Own Leather (COL) +\$ 115 		<ul style="list-style-type: none"> ► See <i>Surface Materials Reference Manual</i>. ► See <i>Surface Materials Reference Manual</i>.
	Glide		
	<ul style="list-style-type: none"> • Polished Aluminum +\$ 54 		Specify with 8046 Polished Aluminum.
Canopy	<ul style="list-style-type: none"> • Canopy +\$2656 		Specify with canopy.
	Paint		
	<ul style="list-style-type: none"> • Paint price group 1 No cost • Paint price group 2 +\$ 44 • Paint price group 3 +\$ 131 		<ul style="list-style-type: none"> Specify paint color number. Specify paint color number. Specify paint color number.
	Fabric		
	<ul style="list-style-type: none"> • Connect 3D No cost 		Specify fabric color number.
	Laminate Back Panel		
	<ul style="list-style-type: none"> • High-Pressure Laminate No cost • Edge No cost 		<ul style="list-style-type: none"> Specify laminate color. Specify plastic color number.
	Wood Back Panel		
	<ul style="list-style-type: none"> • Wood veneer +\$ 339 • Premium wood 2 +\$ 415 • Premium wood 3 +\$ 606 • Customiz stain on wood No cost 		<ul style="list-style-type: none"> Specify with <i>wood veneer</i> and indicate wood color number. Specify Premium wood 2 finish number. Specify Premium wood 3 finish number. Specify with <i>Customiz stain</i>. ► See <i>Surface Materials Reference Manual</i>.

► Options, continued on next page

Tip: To add a ledge or canopy to an existing media:scape lounge, please see the Service Parts section of the Steelcase Product Reference website.

Tip: Ledge and canopy back panels are not available in full-fill or flat cut veneer.

 **For Canadian Pricing**
Multiply U.S. Price by the Canadian price factor.
► See page 1 for details.

► Options, continued from previous page

	Options	U.S. Price	Required to Specify
Ledge	• Ledge	+\$2269	Specify <i>with ledge</i> .
	Paint		
	• Paint price group 1	No cost	Specify paint color number.
	• Paint price group 2	+\$ 28	Specify paint color number.
	• Paint price group 3	+\$ 82	Specify paint color number.
	Laminate Back Panel		
	• High-Pressure Laminate	No cost	Specify laminate color.
	• Edge	No cost	Specify plastic color number.
	Wood Back Panel		
	• Wood veneer	+\$ 148	Specify <i>with wood veneer</i> and indicate wood color number.
• Premium wood 2	+\$ 181	Specify Premium wood 2 finish number.	
• Premium wood 3	+\$ 262	Specify Premium wood 3 finish number.	
• Customiz stain on wood	No cost	Specify <i>with Customiz stain</i> . ► See <i>Surface Materials Reference Manual</i> .	
Ledge with Topper	• Ledge with topper	+\$2654	Specify <i>with ledge with topper</i> .
	Paint		
	• Paint price group 1	No cost	Specify paint color number.
	• Paint price group 2	+\$ 28	Specify paint color number.
	• Paint price group 3	+\$ 82	Specify paint color number.
	Laminate Back Panel		
	• High-Pressure Laminate	No cost	Specify laminate color.
	• Edge	No cost	Specify plastic color number.
	Wood Back Panel		
	• Wood veneer	+\$ 148	Specify <i>with wood veneer</i> and indicate wood color number.
	• Premium wood 2	+\$ 181	Specify Premium wood 2 finish number.
	• Premium wood 3	+\$ 262	Specify Premium wood 3 finish number.
	• Customiz stain on wood	No cost	Specify <i>with Customiz stain</i> . ► See <i>Surface Materials Reference Manual</i> .
	Laminate Topper		
	• High-Pressure Laminate	No cost	Specify laminate color.
• Edge	No cost	Specify plastic color number.	
Wood Topper			
• Wood veneer	+\$ 86	Specify <i>with wood veneer</i> and indicate wood color number.	
• Premium wood 2	+\$ 108	Specify Premium wood 2 finish number.	
• Premium wood 3	+\$ 162	Specify Premium wood 3 finish number.	
• Customiz stain on wood	No cost	Specify <i>with Customiz stain</i> . ► See <i>Surface Materials Reference Manual</i> .	
• Full-fill finish on wood	+\$ 22	Specify full-finish and select wood color number.	



For Canadian Pricing

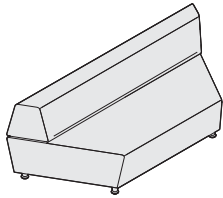
Multiply U.S. Price by the Canadian price factor.

► See page 1 for details.

Specification Information

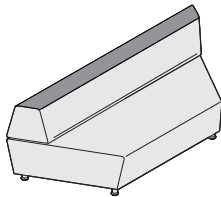
• Style Number	• U.S. Base Price
•	•
•	•

Same Upholstery



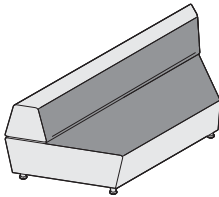
MLSTS	\$2780
•	•

Multiple Upholstery - Edge



MLSTE	\$2780
•	•

Multiple Upholstery - Front Seat and Back

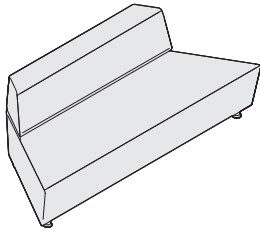


MLSTF	\$2780
•	•



For Canadian Pricing
 Multiply U.S. Price by the
 Canadian price factor.
 ▶ See page 1 for details.

Straight Inverted Lounge



Standard Includes	Required to Specify
<ul style="list-style-type: none"> ▶ Need help? Product details, page 100 • Straight inverted lounge: fabric • Aluminum feet: paint • Ganging brackets 	<ol style="list-style-type: none"> 1 Style number 2 Fabric color number for upholstery 3 Paint color number for feet: <ul style="list-style-type: none"> 4140 Arctic White Gloss 4799 Platinum Metallic 4803 Near Black Metallic 4 Options, if selected (see below) ▶ See <i>Surface Materials</i> , page 154.

Surface Materials	Options	U.S. Price	Required to Specify
	Soil-Retardant Treatment		
	• Soil-retardant treatment applied to upholstery fabric	+\$ 46	Specify with soil-retardant treatment.
	Same upholstery on all surfaces		
	• Fabric price group 1	No cost	Specify fabric color number.
	• Fabric price group 2	+\$ 30	Specify fabric color number.
	• Fabric price group 3	+\$ 86	Specify fabric color number.
	• Fabric price group 4	+\$ 202	Specify fabric color number.
	• Fabric price group 5	+\$ 345	Specify fabric color number.
	• Fabric price group 6	+\$ 520	Specify fabric color number.
	• Fabric price group 7	+\$ 721	Specify fabric color number.
	• Fabric price group 8	+\$ 952	Specify fabric color number.
	• Fabric price group 9	+\$1183	Specify fabric color number.
	• Fabric price group 10	+\$1356	Specify fabric color number.
	• Leather	+\$1586	Specify leather color number.
	Edge upholstery: Upholstery on edge		
	• Fabric price group 1	No cost	Specify fabric color number.
	• Fabric price group 2	+\$ 3	Specify fabric color number.
	• Fabric price group 3	+\$ 8	Specify fabric color number.
	• Fabric price group 4	+\$ 22	Specify fabric color number.
	• Fabric price group 5	+\$ 35	Specify fabric color number.
	• Fabric price group 6	+\$ 51	Specify fabric color number.
	• Fabric price group 7	+\$ 73	Specify fabric color number.
	• Fabric price group 8	+\$ 96	Specify fabric color number.
	• Fabric price group 9	+\$ 118	Specify fabric color number.
	• Fabric price group 10	+\$ 137	Specify fabric color number.
	• Leather	+\$ 160	Specify leather color number.
	Upholstery on all surfaces except edge		
	• Fabric price group 1	No cost	Specify fabric color number.
	• Fabric price group 2	+\$ 28	Specify fabric color number.
	• Fabric price group 3	+\$ 78	Specify fabric color number.
	• Fabric price group 4	+\$ 181	Specify fabric color number.
	• Fabric price group 5	+\$ 312	Specify fabric color number.
	• Fabric price group 6	+\$ 467	Specify fabric color number.
	• Fabric price group 7	+\$ 650	Specify fabric color number.
	• Fabric price group 8	+\$ 857	Specify fabric color number.
	• Fabric price group 9	+\$1065	Specify fabric color number.
	• Fabric price group 10	+\$1221	Specify fabric color number.
	• Leather	+\$1430	Specify leather color number.

▶ Options, continued on next page

Tip: If selecting edge upholstery option, first select the fabric for the edge, then select the fabric for all other surfaces.



For Canadian Pricing

Multiply U.S. Price by the Canadian price factor.

▶ See page 1 for details.

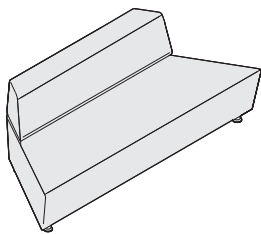
► Options, continued from previous page

Tip: If selecting front seat and back upholstery option, first select the fabric for the front of the back and seat, then select the fabric for all other surfaces.

Options	U.S. Price	Required to Specify
Surface Materials		
Front seat and back upholstery: Upholstery on front seat and back		
• Fabric price group 1	No cost	Specify fabric color number.
• Fabric price group 2	+\$ 10	Specify fabric color number.
• Fabric price group 3	+\$ 35	Specify fabric color number.
• Fabric price group 4	+\$ 81	Specify fabric color number.
• Fabric price group 5	+\$139	Specify fabric color number.
• Fabric price group 6	+\$208	Specify fabric color number.
• Fabric price group 7	+\$288	Specify fabric color number.
• Fabric price group 8	+\$380	Specify fabric color number.
• Fabric price group 9	+\$473	Specify fabric color number.
• Fabric price group 10	+\$542	Specify fabric color number.
• Leather	+\$634	Specify leather color number.
Upholstery on all surfaces except front seat and back		
• Fabric price group 1	No cost	Specify fabric color number.
• Fabric price group 2	+\$ 16	Specify fabric color number.
• Fabric price group 3	+\$ 51	Specify fabric color number.
• Fabric price group 4	+\$120	Specify fabric color number.
• Fabric price group 5	+\$208	Specify fabric color number.
• Fabric price group 6	+\$312	Specify fabric color number.
• Fabric price group 7	+\$433	Specify fabric color number.
• Fabric price group 8	+\$571	Specify fabric color number.
• Fabric price group 9	+\$709	Specify fabric color number.
• Fabric price group 10	+\$813	Specify fabric color number.
• Leather	+\$952	Specify leather color number.
COM / COL		
• Customer's Own Material (COM)	+\$ 35	► See <i>Surface Materials Reference Manual</i> .
• Customer's Own Leather (COL)	+\$115	► See <i>Surface Materials Reference Manual</i> .
Glide		
• Polished Aluminum	+\$ 54	Specify with 8046 Polished Aluminum.

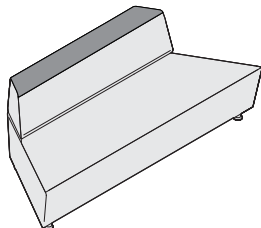
Specification Information

• Style Number
 • U.S. Base Price



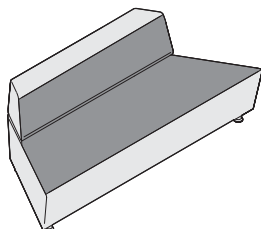
Same Upholstery

MLSIS \$2666



Multiple Upholstery - Edge

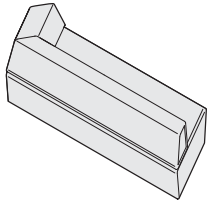
MLSIE \$2666



Multiple Upholstery - Front Seat and Back

MLSIF \$2666

Corner Lounge



Standard Includes	Required to Specify
<ul style="list-style-type: none"> ▶ Need help? Product details, page 100 • Corner lounge: fabric • Aluminum feet: paint • Ganging brackets 	<ol style="list-style-type: none"> 1 Style number 2 Fabric color number for upholstery 3 Paint color number for feet: <ul style="list-style-type: none"> 4140 Arctic White Gloss 4799 Platinum Metallic 4803 Near Black Metallic 4 Options, if selected (see below) <ul style="list-style-type: none"> ▶ See <i>Surface Materials</i>, page 154.

Surface Materials	Options	U.S. Price	Required to Specify
	Soil-Retardant Treatment <ul style="list-style-type: none"> • Soil-retardant treatment applied to upholstery fabric 	+\$ 55	Specify <i>with soil-retardant treatment</i> .
	Same upholstery on all surfaces <ul style="list-style-type: none"> • Fabric price group 1 • Fabric price group 2 • Fabric price group 3 • Fabric price group 4 • Fabric price group 5 • Fabric price group 6 • Fabric price group 7 • Fabric price group 8 • Fabric price group 9 • Fabric price group 10 • Leather 	No cost +\$ 58 +\$ 202 +\$ 318 +\$ 548 +\$ 865 +\$1212 +\$1557 +\$1902 +\$2220 +\$2452	Specify fabric color number. Specify fabric color number. Specify fabric color number. Specify fabric color number. Specify fabric color number. Specify fabric color number. Specify fabric color number. Specify fabric color number. Specify fabric color number. Specify fabric color number. Specify leather color number.
	Edge upholstery: Upholstery on edge <ul style="list-style-type: none"> • Fabric price group 1 • Fabric price group 2 • Fabric price group 3 • Fabric price group 4 • Fabric price group 5 • Fabric price group 6 • Fabric price group 7 • Fabric price group 8 • Fabric price group 9 • Fabric price group 10 • Leather 	No cost +\$ 5 +\$ 22 +\$ 33 +\$ 56 +\$ 86 +\$ 120 +\$ 155 +\$ 191 +\$ 222 +\$ 247	Specify fabric color number. Specify fabric color number. Specify fabric color number. Specify fabric color number. Specify fabric color number. Specify fabric color number. Specify fabric color number. Specify fabric color number. Specify fabric color number. Specify fabric color number. Specify leather color number.
	Upholstery on all surfaces except edge <ul style="list-style-type: none"> • Fabric price group 1 • Fabric price group 2 • Fabric price group 3 • Fabric price group 4 • Fabric price group 5 • Fabric price group 6 • Fabric price group 7 • Fabric price group 8 • Fabric price group 9 • Fabric price group 10 • Leather 	No cost +\$ 51 +\$ 181 +\$ 286 +\$ 493 +\$ 778 +\$1090 +\$1402 +\$1713 +\$1999 +\$2208	Specify fabric color number. Specify fabric color number. Specify fabric color number. Specify fabric color number. Specify fabric color number. Specify fabric color number. Specify fabric color number. Specify fabric color number. Specify fabric color number. Specify fabric color number. Specify leather color number.

▶ Options, continued on next page

Tip: If selecting edge upholstery option, first select the fabric for the edge, then select the fabric for all other surfaces.

For Canadian Pricing
 Multiply U.S. Price by the Canadian price factor.
 ▶ See page 1 for details.

► Options, continued from previous page

Tip: If selecting front seat and back upholstery option, first select the fabric for the front of the back and seat, then select the fabric for all other surfaces.

	Options	U.S. Price	Required to Specify
Surface Materials	Front seat and back upholstery:		
	Upholstery on front seat and back		
	• Fabric price group 1	No cost	Specify fabric color number.
	• Fabric price group 2	+\$ 24	Specify fabric color number.
	• Fabric price group 3	+\$ 81	Specify fabric color number.
	• Fabric price group 4	+\$ 126	Specify fabric color number.
	• Fabric price group 5	+\$ 219	Specify fabric color number.
	• Fabric price group 6	+\$ 345	Specify fabric color number.
	• Fabric price group 7	+\$ 485	Specify fabric color number.
	• Fabric price group 8	+\$ 624	Specify fabric color number.
	• Fabric price group 9	+\$ 762	Specify fabric color number.
	• Fabric price group 10	+\$ 889	Specify fabric color number.
	• Leather	+\$ 981	Specify leather color number.
	Upholstery on all surfaces except front seat and back		
	• Fabric price group 1	No cost	Specify fabric color number.
	• Fabric price group 2	+\$ 35	Specify fabric color number.
	• Fabric price group 3	+\$ 120	Specify fabric color number.
	• Fabric price group 4	+\$ 191	Specify fabric color number.
	• Fabric price group 5	+\$ 328	Specify fabric color number.
	• Fabric price group 6	+\$ 520	Specify fabric color number.
• Fabric price group 7	+\$ 728	Specify fabric color number.	
• Fabric price group 8	+\$ 934	Specify fabric color number.	
• Fabric price group 9	+\$1142	Specify fabric color number.	
• Fabric price group 10	+\$1333	Specify fabric color number.	
• Leather	+\$1471	Specify leather color number.	
COM / COL			
• Customer's Own Material (COM)	+\$ 35	► See <i>Surface Materials Reference Manual</i> .	
• Customer's Own Leather (COL)	+\$ 115	► See <i>Surface Materials Reference Manual</i> .	
Glide			
• Polished Aluminum	+\$ 54	Specify with 8046 Polished Aluminum.	
Canopy	• Canopy	+\$2656	Specify with canopy.
	Paint		
	• Paint price group 1	No cost	Specify paint color number.
	• Paint price group 2	+\$ 44	Specify paint color number.
	• Paint price group 3	+\$ 131	Specify paint color number.
	Fabric		
	• Connect 3D	No cost	Specify fabric color number.
	Laminate Back Panel		
	• High-Pressure Laminate	No cost	Specify laminate color.
	• Edge	No cost	Specify plastic color number.
	Wood Back Panel		
	• Wood veneer	+\$ 339	Specify with wood veneer and indicate wood color number.
• Premium wood 2	+\$ 415	Specify Premium wood 2 finish number.	
• Premium wood 3	+\$ 606	Specify Premium wood 3 finish number.	
• Customiz stain on wood	No cost	Specify with Customiz stain. ► See <i>Surface Materials Reference Manual</i> .	

Tip: To add a ledge or canopy to an existing media:scape lounge, please see the Service Parts section of the Steelcase Product Reference website.

Tip: Ledge and canopy back panels are not available in full-fill or flat cut veneer.

► Options, continued on next page

media:scape
Lounge

 **For Canadian Pricing**
Multiply U.S. Price by the Canadian price factor.
► See page 1 for details.

► Options, continued from previous page

	Options	U.S. Price	Required to Specify
Ledge	• Ledge	+\$2269	Specify <i>with ledge</i> .
	Paint		
	• Paint price group 1	No cost	Specify paint color number.
	• Paint price group 2	+\$ 28	Specify paint color number.
	• Paint price group 3	+\$ 82	Specify paint color number.
	Laminate Back Panel		
	• High-Pressure Laminate	No cost	Specify laminate color.
	• Edge	No cost	Specify plastic color number.
	Wood Back Panel		
	• Wood veneer	+\$ 148	Specify <i>with wood veneer</i> and indicate wood color number.
• Premium wood 2	+\$ 181	Specify Premium wood 2 finish number.	
• Premium wood 3	+\$ 262	Specify Premium wood 3 finish number.	
• Customiz stain on wood	No cost	Specify <i>with Customiz stain</i> . ► See <i>Surface Materials Reference Manual</i> .	
Ledge with Topper	• Ledge with topper	+\$2654	Specify <i>with ledge with topper</i> .
	Paint		
	• Paint price group 1	No cost	Specify paint color number.
	• Paint price group 2	+\$ 28	Specify paint color number.
	• Paint price group 3	+\$ 82	Specify paint color number.
	Laminate Back Panel		
	• High-Pressure Laminate	No cost	Specify laminate color.
	• Edge	No cost	Specify plastic color number.
	Wood Back Panel		
	• Wood veneer	+\$ 148	Specify <i>with wood veneer</i> and indicate wood color number.
	• Premium wood 2	+\$ 181	Specify Premium wood 2 finish number.
	• Premium wood 3	+\$ 262	Specify Premium wood 3 finish number.
	• Customiz stain on wood	No cost	Specify <i>with Customiz stain</i> . ► See <i>Surface Materials Reference Manual</i> .
	Laminate Topper		
	• High-Pressure Laminate	No cost	Specify laminate color.
	• Edge	No cost	Specify plastic color number.
Wood Topper			
• Wood veneer	+\$ 86	Specify <i>with wood veneer</i> and indicate wood color number.	
• Premium wood 2	+\$ 108	Specify Premium wood 2 finish number.	
• Premium wood 3	+\$ 162	Specify Premium wood 3 finish number.	
• Customiz stain on wood	No cost	Specify <i>with Customiz stain</i> . ► See <i>Surface Materials Reference Manual</i> .	
• Full-fill finish on wood	+\$ 22	Specify full-finish and select wood color number.	

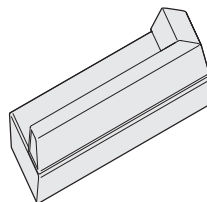
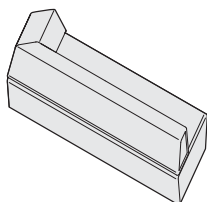


For Canadian Pricing
 Multiply U.S. Price by the
 Canadian price factor.
 ► See page 1 for details.

Specification Information

Style Number	U.S. Base Price	Style Number	U.S. Base Price
--------------	-----------------	--------------	-----------------

Same Upholstery



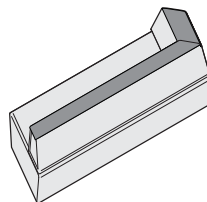
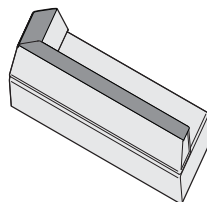
Left Corner

Right Corner

MLLCS	\$3404
--------------	--------

MLRCS	\$3404
--------------	--------

Multiple Upholstery - Edge



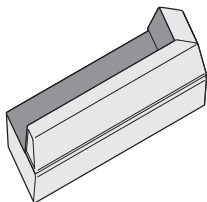
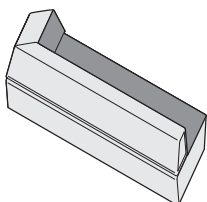
Left Corner

Right Corner

MLLCE	\$3404
--------------	--------

MLRCE	\$3404
--------------	--------

Multiple Upholstery - Front Seat and Back



Left Corner

Right Corner

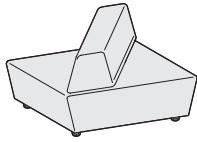
MLLCF	\$3404
--------------	--------

MLRCF	\$3404
--------------	--------

mediascape
Lounge

 **For Canadian Pricing**
Multiply U.S. Price by the Canadian price factor.
▶ See page 1 for details.

Reverse Lounge



Standard Includes	Required to Specify
<ul style="list-style-type: none"> ▶ Need help? Product details, page 100 • Reverse media:scope lounge: fabric • Aluminum feet: paint • Ganging brackets 	<ol style="list-style-type: none"> 1 Style number 2 Fabric color number for upholstery 3 Paint color number for feet: <ul style="list-style-type: none"> 4140 Arctic White Gloss 4799 Platinum Metallic 4803 Near Black Metallic 4 Options, if selected (see below) <ul style="list-style-type: none"> ▶ See <i>Surface Materials</i>, page 154.

Surface Materials	Options	U.S. Price	Required to Specify
	Soil-Retardant Treatment <ul style="list-style-type: none"> • Soil-retardant treatment applied to upholstery fabric 	+\$ 33	Specify with soil-retardant treatment.
	Same upholstery on all surfaces <ul style="list-style-type: none"> • Fabric price group 1 • Fabric price group 2 • Fabric price group 3 • Fabric price group 4 • Fabric price group 5 • Fabric price group 6 • Fabric price group 7 • Fabric price group 8 • Fabric price group 9 • Fabric price group 10 • Leather 	No cost +\$ 30 +\$ 86 +\$ 173 +\$ 288 +\$ 433 +\$ 577 +\$ 749 +\$ 923 +\$1067 +\$1298	Specify fabric color number. Specify fabric color number. Specify fabric color number. Specify fabric color number. Specify fabric color number. Specify fabric color number. Specify fabric color number. Specify fabric color number. Specify fabric color number. Specify fabric color number. Specify leather color number.
	Edge upholstery: Upholstery on edge <ul style="list-style-type: none"> • Fabric price group 1 • Fabric price group 2 • Fabric price group 3 • Fabric price group 4 • Fabric price group 5 • Fabric price group 6 • Fabric price group 7 • Fabric price group 8 • Fabric price group 9 • Fabric price group 10 • Leather 	No cost +\$ 3 +\$ 8 +\$ 16 +\$ 30 +\$ 44 +\$ 58 +\$ 75 +\$ 92 +\$ 108 +\$ 131	Specify fabric color number. Specify fabric color number. Specify fabric color number. Specify fabric color number. Specify fabric color number. Specify fabric color number. Specify fabric color number. Specify fabric color number. Specify fabric color number. Specify fabric color number. Specify leather color number.
	Upholstery on all surfaces except edge <ul style="list-style-type: none"> • Fabric price group 1 • Fabric price group 2 • Fabric price group 3 • Fabric price group 4 • Fabric price group 5 • Fabric price group 6 • Fabric price group 7 • Fabric price group 8 • Fabric price group 9 • Fabric price group 10 • Leather 	No cost +\$ 28 +\$ 78 +\$ 155 +\$ 259 +\$ 391 +\$ 520 +\$ 674 +\$ 830 +\$ 960 +\$1170	Specify fabric color number. Specify fabric color number. Specify fabric color number. Specify fabric color number. Specify fabric color number. Specify fabric color number. Specify fabric color number. Specify fabric color number. Specify fabric color number. Specify fabric color number. Specify leather color number.

▶ Options, continued on next page

Tip: If selecting edge upholstery option, first select the fabric for the edge, then select the fabric for all other surfaces.

For Canadian Pricing
 Multiply U.S. Price by the Canadian price factor.
 ▶ See page 1 for details.

► Options, continued from previous page

Options	U.S. Price	Required to Specify
Surface Materials		
Front seat and back upholstery:		
Upholstery on front seat and back		
• Fabric price group 1	No cost	Specify fabric color number.
• Fabric price group 2	+\$ 10	Specify fabric color number.
• Fabric price group 3	+\$ 35	Specify fabric color number.
• Fabric price group 4	+\$ 69	Specify fabric color number.
• Fabric price group 5	+\$115	Specify fabric color number.
• Fabric price group 6	+\$173	Specify fabric color number.
• Fabric price group 7	+\$231	Specify fabric color number.
• Fabric price group 8	+\$300	Specify fabric color number.
• Fabric price group 9	+\$370	Specify fabric color number.
• Fabric price group 10	+\$427	Specify fabric color number.
• Leather	+\$520	Specify leather color number.
Upholstery on all surfaces except front seat and back		
• Fabric price group 1	No cost	Specify fabric color number.
• Fabric price group 2	+\$ 16	Specify fabric color number.
• Fabric price group 3	+\$ 51	Specify fabric color number.
• Fabric price group 4	+\$105	Specify fabric color number.
• Fabric price group 5	+\$173	Specify fabric color number.
• Fabric price group 6	+\$259	Specify fabric color number.
• Fabric price group 7	+\$345	Specify fabric color number.
• Fabric price group 8	+\$450	Specify fabric color number.
• Fabric price group 9	+\$554	Specify fabric color number.
• Fabric price group 10	+\$640	Specify fabric color number.
• Leather	+\$778	Specify leather color number.
COM / COL		
• Customer's Own Material (COM)	+\$ 35	► See <i>Surface Materials Reference Manual</i> .
• Customer's Own Leather (COL)	+\$115	► See <i>Surface Materials Reference Manual</i> .
Glide		
• Polished Aluminum	+\$ 54	Specify with 8046 Polished Aluminum.

Tip: If selecting front seat and back upholstery option, first select the fabric for the front of the back and seat, then select the fabric for all other surfaces.

► Specification Information, on next page

**For Canadian Pricing**

Multiply U.S. Price by the Canadian price factor.

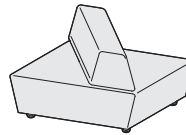
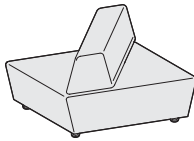
► See page 1 for details.

► Options, on previous page

Specification Information

Style Number	U.S. Base Price	Style Number	U.S. Base Price
--------------	-----------------	--------------	-----------------

Same Upholstery



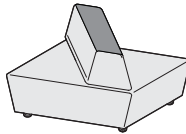
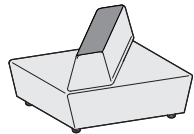
Reverse Left

Reverse Right

MLRLS \$1305

MLRRS \$1305

Multiple Upholstery - Edge



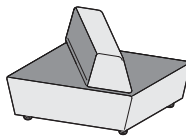
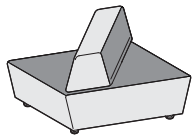
Reverse Left

Reverse Right

MLRLE \$1305

MLRRE \$1305

Multiple Upholstery - Front Seat and Back



Reverse Left

Reverse Right

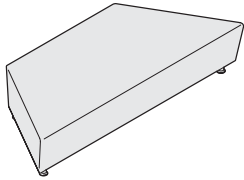
MLRLF \$1305

MLRRF \$1305



For Canadian Pricing
 Multiply U.S. Price by the
 Canadian price factor.
 ► See page 1 for details.

Backless Lounge



Standard Includes	Required to Specify
<ul style="list-style-type: none"> ▶ Need help? Product details, page 100 • Backless lounge: fabric • Aluminum feet: paint • Ganging brackets 	<ol style="list-style-type: none"> 1 Style number 2 Fabric color number for upholstery 3 Paint color number for feet: <ul style="list-style-type: none"> 4140 Arctic White Gloss 4799 Platinum Metallic 4803 Near Black Metallic 4 Options, if selected (see below) <ul style="list-style-type: none"> ▶ See <i>Surface Materials</i>, page 154.

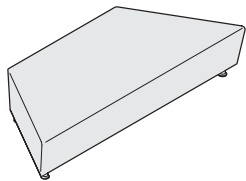
Surface Materials	Options	U.S. Price	Required to Specify
	Soil-Retardant Treatment		
	• Soil-retardant treatment applied to upholstery fabric	+\$ 33	Specify with soil-retardant treatment.
	Same upholstery on all surfaces		
	• Fabric price group 1	No cost	Specify fabric color number.
	• Fabric price group 2	+\$ 30	Specify fabric color number.
	• Fabric price group 3	+\$ 86	Specify fabric color number.
	• Fabric price group 4	+\$ 202	Specify fabric color number.
	• Fabric price group 5	+\$ 345	Specify fabric color number.
	• Fabric price group 6	+\$ 520	Specify fabric color number.
	• Fabric price group 7	+\$ 721	Specify fabric color number.
	• Fabric price group 8	+\$ 952	Specify fabric color number.
	• Fabric price group 9	+\$1183	Specify fabric color number.
	• Fabric price group 10	+\$1356	Specify fabric color number.
	• Leather	+\$1586	Specify leather color number.
	Front upholstery: Upholstery on seat surface		
	• Fabric price group 1	No cost	Specify fabric color number.
	• Fabric price group 2	+\$ 10	Specify fabric color number.
	• Fabric price group 3	+\$ 35	Specify fabric color number.
	• Fabric price group 4	+\$ 81	Specify fabric color number.
	• Fabric price group 5	+\$ 139	Specify fabric color number.
	• Fabric price group 6	+\$ 208	Specify fabric color number.
	• Fabric price group 7	+\$ 288	Specify fabric color number.
	• Fabric price group 8	+\$ 380	Specify fabric color number.
	• Fabric price group 9	+\$ 473	Specify fabric color number.
	• Fabric price group 10	+\$ 542	Specify fabric color number.
	• Leather	+\$ 634	Specify leather color number.
	Upholstery on all surfaces except seat surface		
	• Fabric price group 1	No cost	Specify fabric color number.
	• Fabric price group 2	+\$ 16	Specify fabric color number.
	• Fabric price group 3	+\$ 51	Specify fabric color number.
	• Fabric price group 4	+\$ 120	Specify fabric color number.
	• Fabric price group 5	+\$ 208	Specify fabric color number.
	• Fabric price group 6	+\$ 312	Specify fabric color number.
	• Fabric price group 7	+\$ 433	Specify fabric color number.
	• Fabric price group 8	+\$ 571	Specify fabric color number.
	• Fabric price group 9	+\$ 709	Specify fabric color number.
	• Fabric price group 10	+\$ 813	Specify fabric color number.
	• Leather	+\$ 952	Specify leather color number.
	COM / COL		
	• Customer's Own Material (COM)	+\$ 35	▶ See <i>Surface Materials Reference Manual</i> .
	• Customer's Own Leather (COL)	+\$ 115	▶ See <i>Surface Materials Reference Manual</i> .
	Glide		
	• Polished Aluminum	+\$ 54	Specify with 8046 Polished Aluminum.

Tip: If selecting front upholstery option, first select the fabric for the surface, then select the fabric for all other surfaces.

 **For Canadian Pricing**
 Multiply U.S. Price by the Canadian price factor.
 ▶ See page 1 for details.

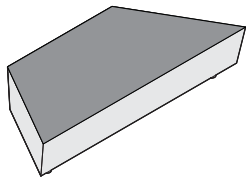
Specification Information

• Style	• U.S.
• Number	• Base
•	• Price
•	•



Same Upholstery

MLBBS	\$1759
•	•



Multiple Upholstery - Front Seat

MLBBF	\$1759
•	•



For Canadian Pricing
 Multiply U.S. Price by the
 Canadian price factor.
 ▶ See page 1 for details.



Understanding and Specifying RoomWizard II

Product Details

RoomWizard II Room Scheduling System	126
--------------------------------------	-----

Specifying

RoomWizard II Room Scheduling System	129
RoomWizard II Accessories	130

RoomWizard II Room Scheduling System

RoomWizard II is a web-based room scheduling system with touchscreen display.

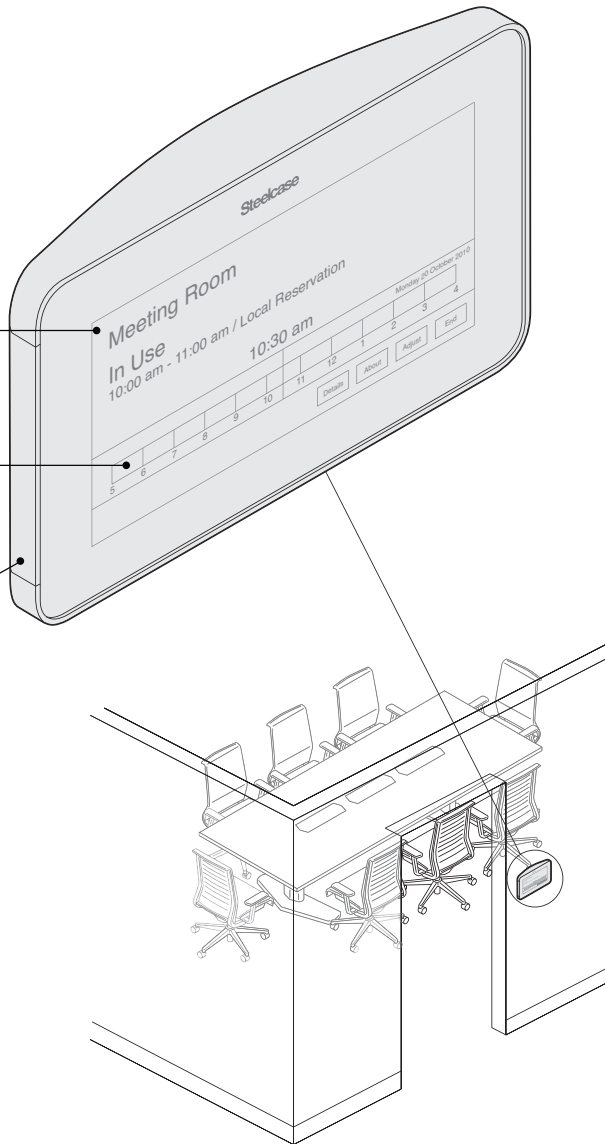
Reserve a room from any networked computer, smart phone, or RoomWizard II device.

RoomWizard II can stand alone or synchronize with systems like Microsoft Exchange, Lotus Domino servers, Google Apps, and several other third party software systems.

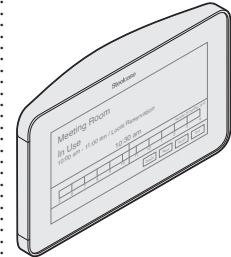
Display of the room's schedule, hostname, meeting purpose, meeting times, room details, and timeline are shown.

Touchscreen allows user to claim a room for an impromptu meeting, adjust meeting time, or end a meeting early.

Status lights are bright red and green which signal a room's availability from a distance.

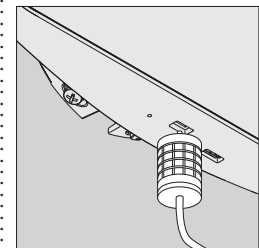


Product Details



RoomWizard II comes with everything needed to operate in classic mode, as a stand-alone system with standard firmware which is included. To operate in synchronized mode, the synchronization drivers must be purchased separately. *Tip: Firmware may be automatically updated via the internet or micro USB drive.*

RoomWizard II screen can be wiped clean by using a microfiber cloth.



Built-in security holes allow RoomWizard II to be secured using a Kensington lock.

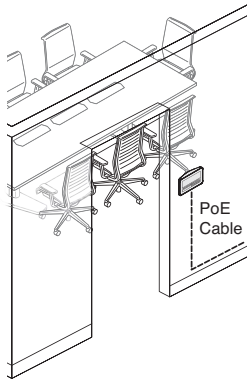
Analytics console records room occupancy and reservation patterns, then generates reports to provide insight into space utilization.

Administrative console manages, configures, and monitors all RoomWizards from a single interface. Both consoles are available for free download on the RoomWizard II support page at www.steelcase.com.

Actual Dimensions

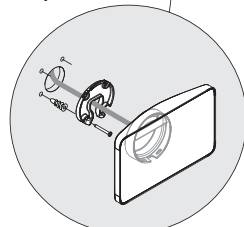
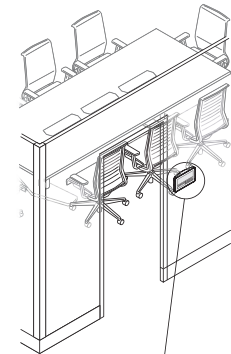
	Universal Mount	
Width	8 1/8"	7 1/2"
Height	5 1/8"	2"
Depth	2 1/4"	1"
Installation depth with mounting bracket	2 1/4"	
Diagonal screen size	7"	
Weight	1 1/4 lb	

Wiring & Cabling

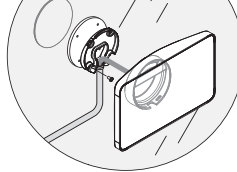
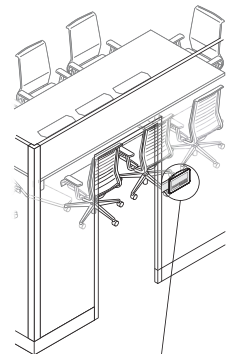


RoomWizard II connects to a network and is powered using Power over Ethernet (PoE). PoE cables run from the PoE switch typically located in the data closet. Industry standards set cable lengths at 100m. Contact your IT department to determine the PoE switch locations.

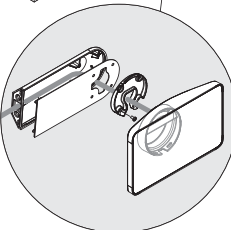
Mounting Options



The standard mount comes with each RoomWizard II and allows it to mount directly to hard surfaces.



The direct-to-glass mount is an option and includes a vanity plate to visually conceal the hardware. It allows the RoomWizard II to adhere to glass surfaces.

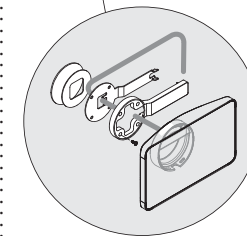
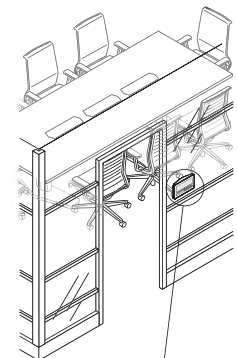


The universal mount is an option and is used to mount to architectural mullions. It can also work for glass wall applications.

The universal mount with furniture hardware kit is an option and is used to mount to FrameOne, Post and Beam, and other furniture products.

Mounting RoomWizard II to media:scape does not require a universal mount, so ordering the furniture mount hardware kit separately is recommended for that application.

▶ See page 131



The V.I.A. mounting bracket is an option that allows RoomWizard to be mounted directly onto Steelcase V.I.A. architectural walls. This option will require the PoE cable to be run from the floor to the RoomWizard.

For the PoE cable to be run from the RoomWizard to the floor, it can be inserted into the channel in the V.I.A. wall. Cable diameters up to standard Cat 6 are supported.

When mounting the RoomWizard to V.I.A. provide enough clearance for V.I.A. sliding doors.

For single pane V.I.A. wall installations, the V.I.A. mount can only be used if the exterior wall is flush with the frame. Otherwise, the standard RoomWizard glass mount is recommended.

Specifications

Specifications

- Touchscreen: capacitive touchscreen
- Size: 7" diagonal
- Aspect ratio: 16:9
- Resolution: 800 x 430 WVGA
- Color depth: 16M colors
- Memory: 4Gb

Ethernet

- 10BaseT/100BaseTX, DHCP, IEEE 802.3U & 802.3af compliant

Power Requirements

- Power over Ethernet: 802.3af & 802.3at compliant

Environmental

- Temperature: +5° to +40°C
- Humidity: 5% to 90% RH, Non condensing

Weight

- 1¹/₄ lb

Certifications

- FCC Class A, UL, CE, EMC / EMI, RoHS

Resources

Downloadable

materials available at village.steelcase.com/products

- RW Installation and Operation Guide
- System Manager Guide
- Instructions for Lotus Domino Connector Installation
- Instructions for Microsoft Exchange Connector Installation
- User Guide for Classic Mode
- User Guide for Synchronized Mode

Downloadable materials

available at www.steelcase.com

- RoomWizard II Support:
- Analytics Console
 - Administrative Console

The Google Apps connector

connects a customer's RoomWizard to Google calendars.

Conference rooms outfitted with RoomWizard can be reserved through Google calendar or the RoomWizard itself. For a flat annual cost, customers can connect unlimited RoomWizards to the service. Customers can order the software at www.rwcloudconnector.com or through a dealer.

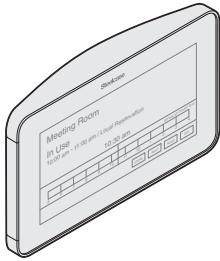
Available for immediate download

at store.steelcase.com:

- Microsoft Exchange and Microsoft Exchange Cloud Synchronization Packages
- Lotus Domino Synchronization Package

Microsoft Exchange Enterprise Synchronization Package

enables customers to connect their RoomWizards to Microsoft Exchange. It is designed for organizations concerned about the capacity of their Exchange system. This version of the connector operates with a push architecture which limits the stress the RoomWizard device places on the Exchange system.



Tip: Plan for cable routing prior to installation.

Tip: Both universal mounting bracket and direct-to-glass mounting bracket work for glass wall applications.

▶ *See understanding section for more information.*

Tip: When using RoomWizard in conjunction with V.I.A. architectural walls use the V.I.A. mounting bracket.

Note: Remember to provide enough clearance for V.I.A. sliding doors.

Standard Includes		Required to Specify
▶ Need help? Product details, page 126	<ul style="list-style-type: none"> RoomWizard II appliance RoomWizard II operating system Standard mount Installation and operation guide Standard 3 year warranty 	1 Style number 2 Options, if selected (see below)

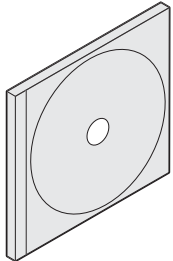
Options	U.S. Price	Required to Specify
Extended Warranty	• Extends warranty to 5 years +\$938	Specify with extended warranty.
Mounting Options	<ul style="list-style-type: none"> Universal mounting bracket +\$169 Direct-to-glass mounting bracket +\$169 V.I.A. mounting bracket +\$169 Universal mounting bracket with furniture hardware kit +\$308 	Specify with universal mounting bracket. Specify with direct-to-glass mounting bracket. Specify with V.I.A. mount. Specify with universal mounting bracket with furniture hardware kit.

Specification Information	
Style Number	U.S. Base Price
RW20	\$3177

 **For Canadian Pricing**
 Multiply U.S. Price by the Canadian price factor.
 ▶ See page 1 for details.

RoomWizard II Accessories

Lotus Domino Synchronization Package

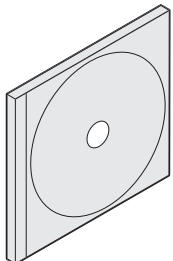


Tip: Lotus Domino Synchronization Package is also available for immediate purchase and download from store.steelcase.com.

Standard Includes	Required to Specify
<ul style="list-style-type: none"> ▶ Need help? Product details, page 126 	<ul style="list-style-type: none"> • RoomWizard II driver software for synchronizing with Lotus Domino • Technical support by means of a WebEx session to assist client IT personnel in installation of the synchronization driver
	Style number

Specification Information	
• Style Number	• U.S. Price
DTPRWS01	\$1876
:	:

Microsoft Exchange Enterprise Synchronization Packages



Tip: The Microsoft Exchange Enterprise Synchronization Upgrade Package is available for customers who own a previous version of the Exchange connector and are looking to upgrade to the enterprise version.

Tip: An email with a download link and license key will be sent after the purchase.

Standard Includes	Required to Specify
<ul style="list-style-type: none"> ▶ Need help? Product details, page 126 	<ul style="list-style-type: none"> • RoomWizard II driver software connector and license for synchronizing with Microsoft Exchange • Technical support by means of a WebEx session to assist client IT personnel in installation of the synchronization connector
	Style number

Specification Information	
• Style Number	• U.S. Price
DTPRWS04	\$9600
:	:

Microsoft Exchange Enterprise Synchronization Package

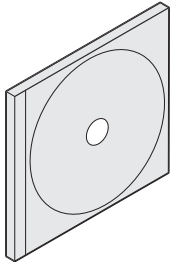
DTPRWS04 \$9600

Microsoft Exchange Enterprise Synchronization Package Software Upgrade

DTPRWS04U \$2880

 **For Canadian Pricing**
 Multiply U.S. Price by the Canadian price factor.
 ▶ See page 1 for details.

Microsoft Exchange Cloud Synchronization Package



Tip: Order this synchronization package when connecting RoomWizard II to Microsoft Exchange 365 and other hosted Exchange services.

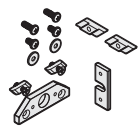
Tip: Microsoft Exchange Cloud Synchronization Package is also available for immediate purchase and download from store.steelcase.com.

Standard Includes	Required to Specify
<ul style="list-style-type: none"> ▶ Need help? Product details, page 126 	<ul style="list-style-type: none"> • RoomWizard II driver software connector and license for synchronizing with Microsoft Exchange 365 and other hosted Exchange services • Technical support by means of a WebEx session to assist client IT personnel in installation of the synchronization
	Style number

Specification Information

Style Number	U.S. Price
DTPRWS03	\$1876

Furniture Mount Hardware Kit



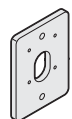
Tip: Order this kit when mounting RoomWizard II to media:scape.

Standard Includes	Required to Specify
<ul style="list-style-type: none"> ▶ Need help? Product details, page 126 	<ul style="list-style-type: none"> • Furniture mount hardware kit
	Style number

Specification Information

Style Number	U.S. Price
RW20FMK	\$139

RoomWizard II Junction Box-Plate Mounts



 **For Canadian Pricing**
Multiply U.S. Price by the Canadian price factor.
▶ See page 1 for details.

Standard Includes	Required to Specify
<ul style="list-style-type: none"> ▶ Need help? Product details, page 126 	<ul style="list-style-type: none"> • Five RoomWizard II junction box faceplates
	Style number

Specification Information

Style Number	U.S. Price
RWJPM	\$80



Understanding and Specifying ēno Interactive Whiteboards and Accessories

	Statement of Line	134
--	--------------------------	------------

Product Details

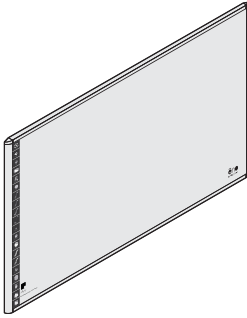
ēno Classic, ēno Click, and ēno Flex Interactive Whiteboards	136
ēno Projector Kit	139
ēno Play	140

Specifying

ēno Classic, ēno Click, and ēno Flex Interactive Whiteboards	141
ēno Accessories	
ēno Projector Kit	144
ēno Projector	144
ēno Projector Mount	144
Wall Mount Extension Bracket for ēno Projector	145
ēno Play	145
ēno Play Installation Kit	145
ēno Icon Strip	146
ēno Receiver	146
ēno Stylus 601	147
Marker Trays	147
ēno Demo Kit	148

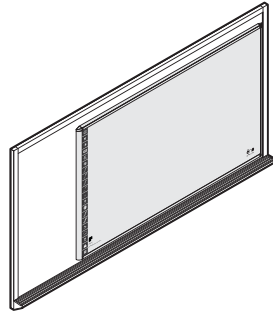
Statement of Line

ēno Classic, ēno Click, and ēno Flex Interactive Whiteboards



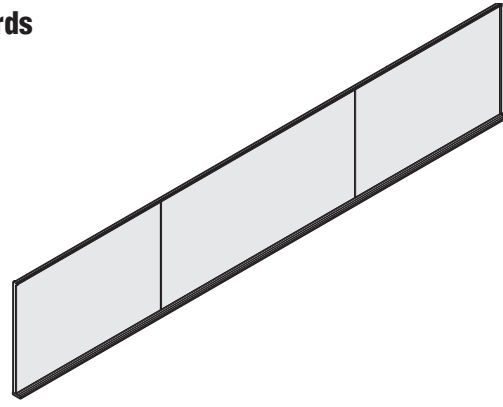
ēno Classic Interactive Whiteboards

Understanding
▶ Page 136
Specifying
▶ Page 141



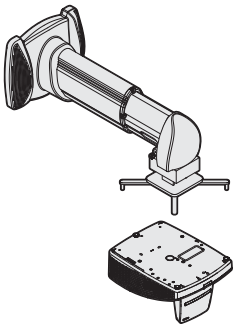
ēno Click Interactive Whiteboards

Understanding
▶ Page 136
Specifying
▶ Page 142



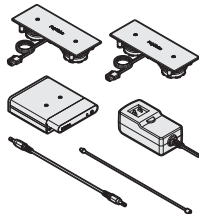
ēno Flex Interactive Whiteboards

Understanding
▶ Page 137
Specifying
▶ Page 143



ēno Projector Kit

Understanding
▶ Page 139
Specifying
▶ Page 144



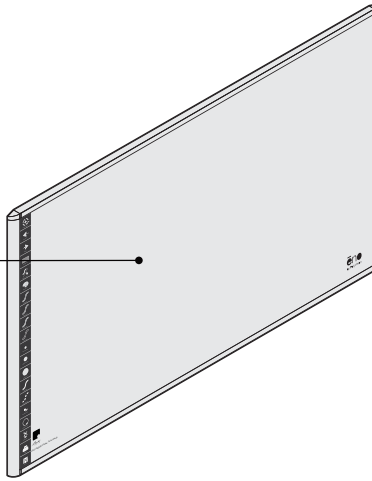
ēno Play

Understanding
▶ Page 140
Specifying
▶ Page 145

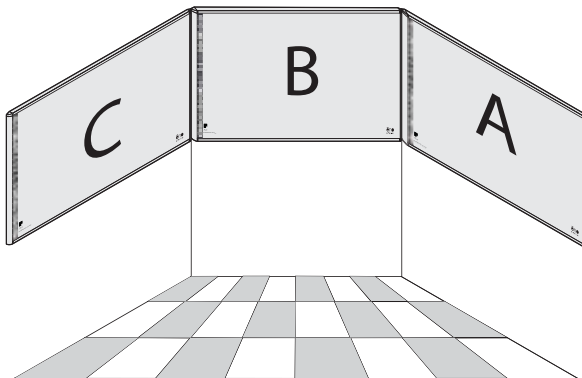
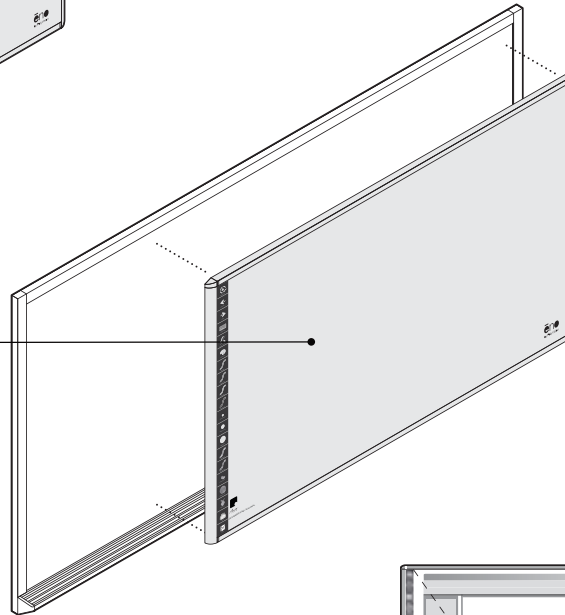
ēno Classic, ēno Click, and ēno Flex Interactive Whiteboards

ēno Classic, ēno Click, and ēno Flex interactive whiteboards can be used as a conventional whiteboard with any traditional dry eraser marker, or as an interactive whiteboard with the use of a projector and an ēno stylus.

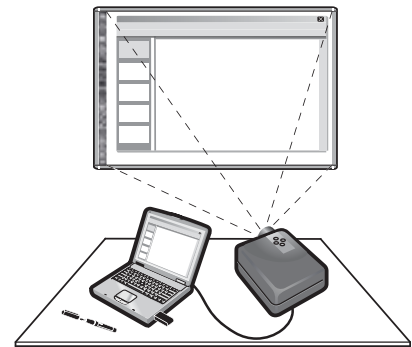
The ēno Classic interactive whiteboard installs like any conventional whiteboard. No power or cables are required.



The ēno Click interactive whiteboard uses magnetic mounting hardware and mounts instantly over an existing ceramic-steel chalkboard, whiteboard, or any other steel surface. No power or cables are required.



ēno Classic and Click interactive whiteboards are available in three different dot patterns: A, B, and C. This enables up to three boards to be independently calibrated in the same room and to operate properly.



Interactive application: ēno can be used as an interactive whiteboard when used with the ēno stylus in conjunction with any Windows or Apple computer (not included) and any projector (not included with ēno interactive whiteboards, but can be ordered separately). For best experience, ultra short-throw projectors are recommended.

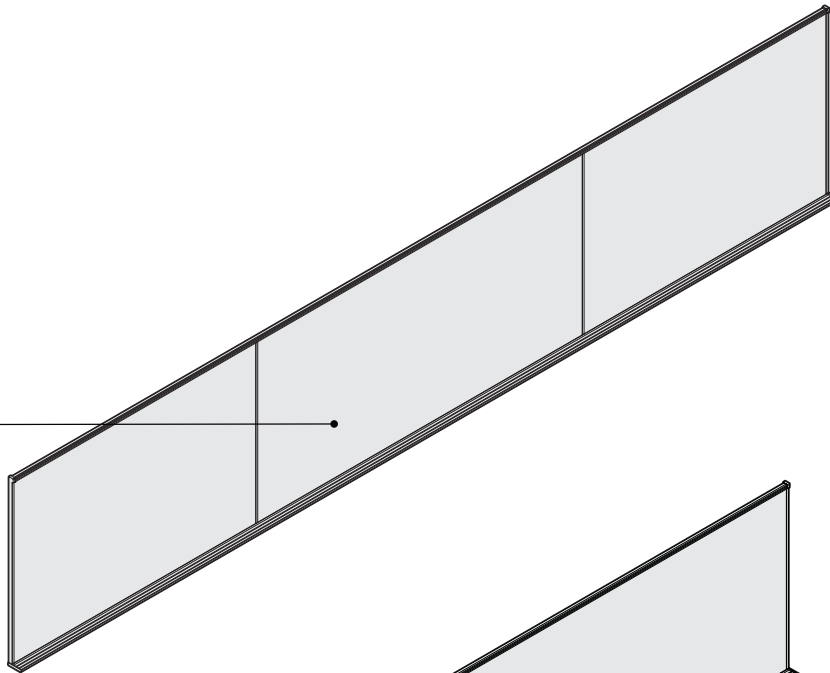
Actual Dimensions — ēno Classic and ēno Click

Dimensions include whiteboard frame	Overall Depth	Overall Height	Overall Width
ENO2610	1"	48 ¹ / ₄ "	64 ¹ / ₂ "
ENO2810	1"	48 ¹ / ₄ "	85 ¹ / ₂ "
ENOCCLICK2650	1 ¹ / ₄ "	43 ³ / ₄ "	64 ¹ / ₂ "
ENOCCLICK2850	1 ¹ / ₄ "	43 ³ / ₄ "	85 ¹ / ₂ "

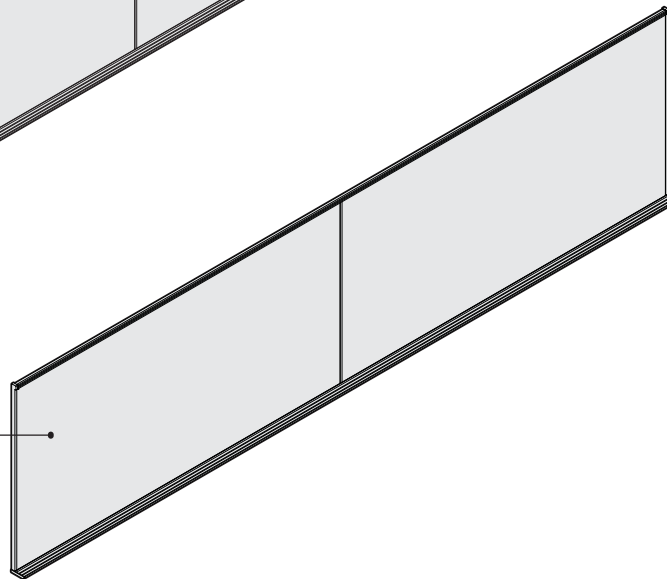
ēno Flex integrates multiple ceramicsteel dry erase panels and ēno interactive whiteboards into the same surface. It installs like any conventional whiteboard. No power or cables are required.

All ēno Flex configurations include a full-length marker tray, as well as a full-length tack rail with a flag holder, two map clips, and two map rail hooks.

ēno Flex 100, ēno Flex 200, and ēno Flex 686 solutions are only available in the A dot pattern.



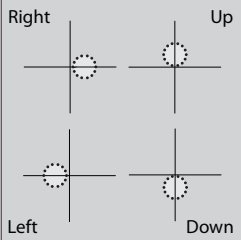
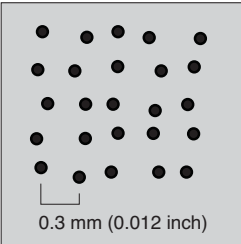
The ēno Flex 280 solution includes both an A dot pattern board and a B dot pattern board.



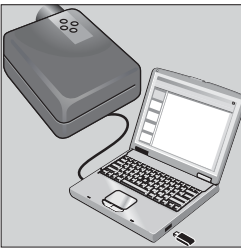
Actual Dimensions — ēno Flex

	• Overall Depth	• Overall Height	• Overall Width	• Center Panel Height	• Center Panel Width	• Side Panels Height	• Side Panels Width
ENOFLEX100	4"	48"	144"	46½"	63"	46½"	40"
ENOFLEX200	4"	48"	192"	46½"	84"	46½"	53½"
ENOFLEX686	4"	48"	240"	46½"	84"	46½"	78"
ENOFLEXAB280	4"	48"	169"	N.A.	N.A.	46½"	84"

Product Details



ēno interactive whiteboards feature a pattern invisible to the naked eye. The pattern consists of numerous intelligent small black dots that can be read by the ēno stylus. The pattern indicates the exact positions of the ēno stylus.



Any Bluetooth® enabled computer (Apple or Windows-based) with the ēno App installed can be used in conjunction with ēno to enable interactive whiteboard capability. Any projector can be used to project images from the computer to the ēno whiteboard.

The **ēno stylus** works with the ēno whiteboard to enable interactive capability with a computer. For example, when a computer based presentation is projected onto the ēno whiteboard, the stylus can be used to guide the presentation or interact with a computer program, similar to keyboard or mouse commands.

Each ēno Classic and ēno Click interactive whiteboard comes complete with:

- one ēno whiteboard with one of three dot patterns. Every ēno whiteboard features the e³ ceramicsteel writing surface
- one Bluetooth enabled stylus with one AAA battery
- two replacement stylus tips
- one ēno receiver for Windows or Macintosh (USB interface)
- the ēno App
- RM Easiteach® software
- one USB extender for the ēno receiver
- one magnetic icon strip

Each ēno Flex interactive whiteboard comes complete with:

- one ēno whiteboard, which features e³ ceramicsteel writing surface
- one Bluetooth enabled stylus with one AAA battery
- two replacement stylus tips
- one ēno receiver for Windows or Macintosh (USB interface)
- one Bluetooth
- RM Easiteach software
- One USB extender for the ēno receiver
- One magnetic icon strip

Computer projector is not included.

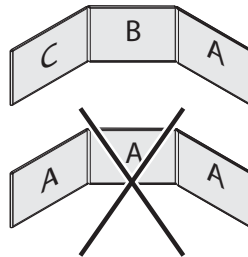
Installation

ēno interactive performance requires the installation of the ēno App on the computer and the ēno receiver included with ēno.

The **ēno Classic and ēno Flex whiteboards** install like any conventional whiteboard. There are no power requirements and therefore no wires. Because it transmits to the computer via Bluetooth there are no communication cable requirements.

The **ēno Click interactive whiteboard** comes with magnetic mounting hardware and mounts instantly over any ceramicsteel or steel surface. Because ēno transmits to the computer via Bluetooth, there are no communication cable requirements.

Application Topics



ēno Classic and ēno Click interactive whiteboards are available with A, B, and C dot patterns which allow up to three boards to be independently calibrated in the same room and operate properly. In a multiple interactive whiteboard application, no two whiteboard dot patterns should be the same.

ENOFLEX100, ENOFLEX200, and ENOFLEX686 interactive whiteboards are only available in A dot pattern.

Environmental Certifications

ēno Classic and ēno Click

- MBDC Cradle to Cradle Silver
- SCS Indoor Advantage
- RoHS

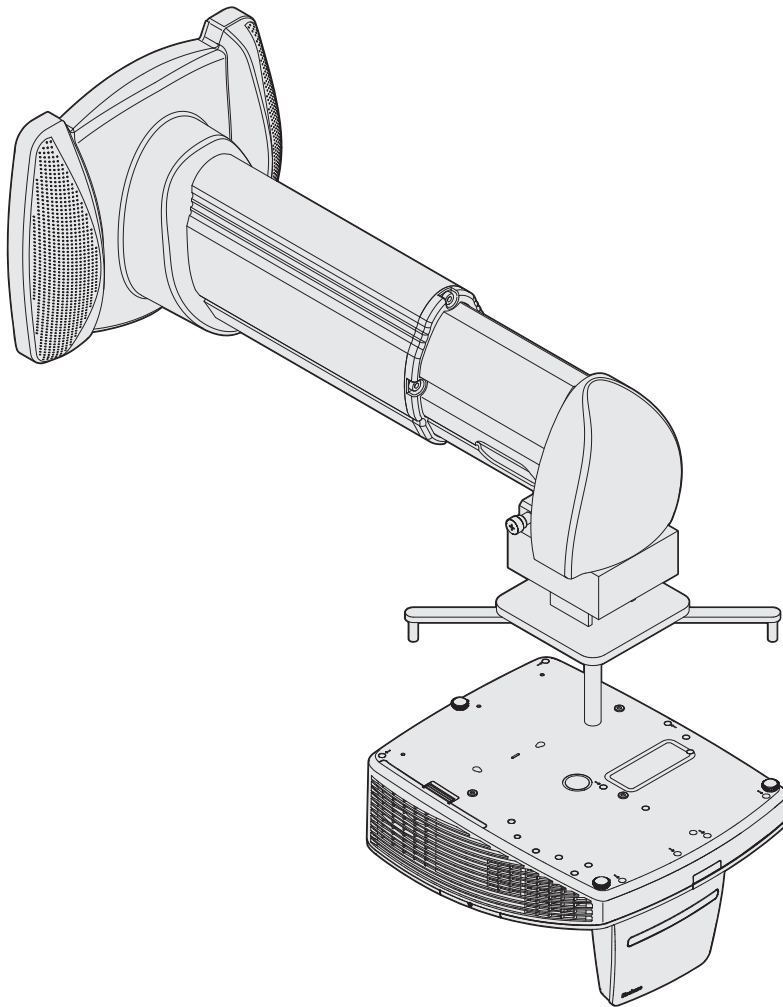
ēno Flex

- SCS Indoor Advantage
- RoHS
- Qualifies for LEED points

Warranty

For warranty details, go to www.steelcase.com.

ēno projector kit should now be ordered separately.



Product Details

ēno projector kit

- Installs on stud/drywall, wood, brick, cinderblock, or concrete wall
- Internal cable storage

WXGA ultra short-throw projectors

comes complete with:

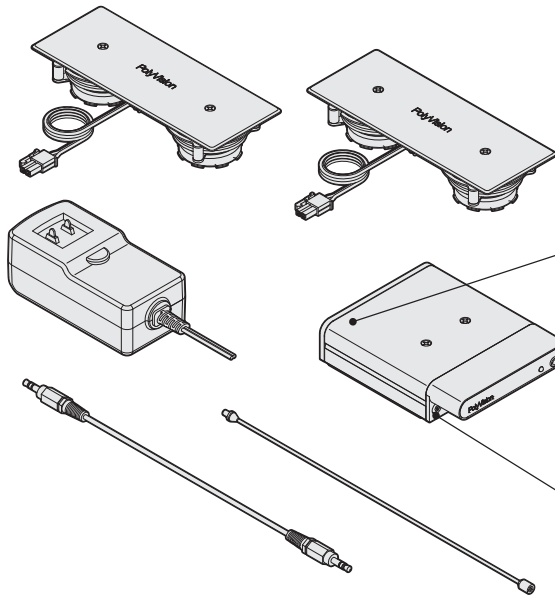
- DLP with Brilliant Color technologies
- Native resolution: WXGA (1280 x 800)
- Aspect ratio: 16:10 Native, 16:9, 4:3
- Brightness: 3000 Lumens (typical); 2450 Lumens (eco mode)
- Lamp life: 5000/8000 hrs.
- 6-segment color wheel (RGBCWY)
- Contrast ratio: 2300:1
- Two 10 watt built-in speakers

Warranty

For warranty details, go to www.steelcase.com.

ēno Play

ēno Play integrates sound with the world's most durable interactive whiteboard to tune in every type of learner, from auditory to kinesthetic to visual.



Amplifier is standard with two 20 watt output channels and two input jacks.

Quick access volume control allows user to adjust sound from computer or application in use.

Audio input is 3.5 mm and is located in front or rear of amplifier.

Product Details

ēno Play consists of an amplifier, driver pack, two exciters, audio input cable, power supply with adapters, and hardware mounting extender brackets for an ēno board.

Amplifier is standard with two 20 watt output channels and two input jacks, and is electronically protected against reverse and over voltage power input supply.

Amplifier output power is 24VDC; 1.88A, and input power is 100-240VAC; 50/60Hz.

Driver pack is standard with two transducers and maximum power of 15 watts rms. Driver pack IEC 268-5 maximum power is 30 watts rms.

Audio input cable is a 3.5 mm, male-to-male stereo cable. The standard length is 25'. The following cables are available as service parts: 25', 50', 75' (male-to-male) or 10' (male-to-female).

ēno Play has an operating temperature of 41°F to 95°F and an operating humidity of 10% to 90% non-condensing. ēno Play has a storage temperature of -5°F to 140°F and a storage humidity of 5% to 95% non-condensing.

Environmental Certifications

- FCC
- CE
- RoHS
- WEEE

Warranty

For warranty details, go to www.steelcase.com.

Actual Dimensions

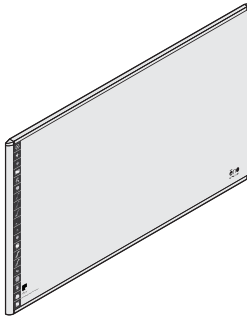
	Depth	Width	Length
Amplifier	1/2"	3 3/5"	4 1/2"
Driver pack	9/10"	2 2/5"	5 9/10"

ēno Classic, ēno Click, and ēno Flex Interactive Whiteboards

ēno Classic, ēno Click,
and ēno Flex Interactive
Whiteboards

ēno

ēno Classic Interactive Whiteboards



Tip: ēno Interactive Whiteboards are available in three different dot patterns, A, B, and C. This enables up to three boards to be independently calibrated in the same room and to operate properly. In a multiple interactive whiteboard application, no two whiteboard grid patterns should be the same.

	Standard Includes	Required to Specify
▶ Need help? Product details, page 136	<ul style="list-style-type: none"> e³ ceramicsteel whiteboards Trim: anodized aluminum Mounting brackets package Bluetooth enabled stylus Two replacement stylus tips One USB charging cable ēno receiver USB extender ēno icon strip Getting Started CD (includes ēno app, user manual, and installation guide) RM Easiteach Next Gen Software 	Style number

Specification Information				
Dimensions			Style	U.S.
W	D	H	Number	Price
64 ¹ / ₂ "	1 ¹ / ₈ "	48 ¹ / ₄ "	ENO2610A	\$2858
64 ¹ / ₂ "	1 ¹ / ₈ "	48 ¹ / ₄ "	ENO2610B	\$2858
64 ¹ / ₂ "	1 ¹ / ₈ "	48 ¹ / ₄ "	ENO2610C	\$2858
85 ¹ / ₂ "	1 ¹ / ₈ "	48 ¹ / ₄ "	ENO2810A	\$3563
85 ¹ / ₂ "	1 ¹ / ₈ "	48 ¹ / ₄ "	ENO2810B	\$3563
85 ¹ / ₂ "	1 ¹ / ₈ "	48 ¹ / ₄ "	ENO2810C	\$3563

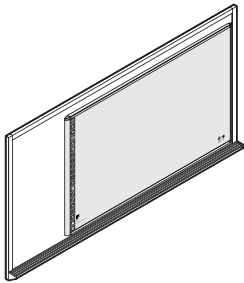


For Canadian Pricing

Multiply U.S. Price by the Canadian price factor.

▶ See page 1 for details.

ēno Click Interactive Whiteboards



Tip: ēno Interactive Whiteboards are available in three different dot patterns, A, B, and C. This enables up to three boards to be independently calibrated in the same room and to operate properly. In a multiple interactive whiteboard application, no two whiteboard grid patterns should be the same.

Standard Includes	Required to Specify
<ul style="list-style-type: none"> ▶ Need help? Product details, page 136 • e³ ceramicsteel whiteboards • Trim: anodized aluminum • Mounting brackets package • Bluetooth enabled stylus • Two replacement stylus tips • One AAA battery • ēno receiver • USB extender • ēno icon strip • Getting Started CD (includes ēno app, user manual, and installation guide) • RM Easiteach Next Gen Software 	<ul style="list-style-type: none"> Style number

Specification Information				
• Dimensions			• Style	• U.S.
W	D	H	Number	Price
64 ¹ / ₂ "	1 ¹ / ₈ "	43 ⁵ / ₈ "	ENOCLICK2650A	\$3021
64 ¹ / ₂ "	1 ¹ / ₈ "	43 ⁵ / ₈ "	ENOCLICK2650B	\$3021
64 ¹ / ₂ "	1 ¹ / ₈ "	43 ⁵ / ₈ "	ENOCLICK2650C	\$3021
85 ¹ / ₂ "	1 ¹ / ₈ "	43 ⁵ / ₈ "	ENOCLICK2850A	\$3746
85 ¹ / ₂ "	1 ¹ / ₈ "	43 ⁵ / ₈ "	ENOCLICK2850B	\$3746
85 ¹ / ₂ "	1 ¹ / ₈ "	43 ⁵ / ₈ "	ENOCLICK2850C	\$3746



For Canadian Pricing
 Multiply U.S. Price by the Canadian price factor.
 ▶ See page 1 for details.

ēno Flex Interactive Whiteboards

	Standard Includes	Required to Specify
<p>► Need help? Product details, page 137</p>	<ul style="list-style-type: none"> • e³ ceramicsteel whiteboards • Trim: black plastic • Mounting brackets package • Bluetooth enabled stylus • Two replacement stylus tips • One USB charging cable • ēno receiver • USB extender • ēno icon strip • Getting Started CD (includes ēno App and User Manual) • RM Easiteach Next Gen Software 	<p>Style number</p>

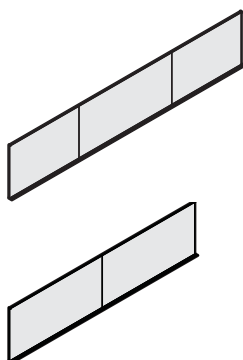
Specification Information				
• Dimensions			• Style	• U.S.
W	D	H	Number	Price

With Two e³ Ceramicsteel Side Panels

144"	1 1/8"	48"	ENOFLEXA100	\$3566
192"	1 1/8"	48"	ENOFLEXA200	\$4413
240"	1 1/8"	48"	ENOFLEX686	\$4618

Dual Whiteboards with Pattern A and Pattern B

169"	4"	48"	ENOFLEXAB280	\$4495
------	----	-----	---------------------	--------



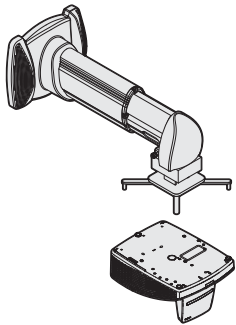
For Canadian Pricing

Multiply U.S. Price by the
Canadian price factor.

► See page 1 for details.

ēno Accessories

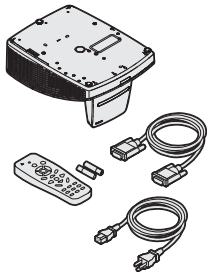
ēno Projector Kit



Tip: ēno board not included.
Order separately.

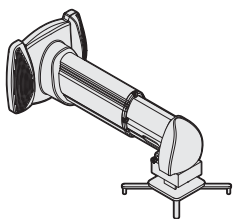
Standard Includes		Required to Specify
<ul style="list-style-type: none"> ▶ Need help? Product details, page 139 	<ul style="list-style-type: none"> • WXGA ultra short-throw projector • Power cable • VGA cable • Remote control (includes batteries) • Quick start guide and user manual • Fixed wall arm mount 	Style number
Specification Information		
Style Number	U.S. Price	
ENOPROJKIT	\$2800	

ēno Projector



Standard Includes		Required to Specify
<ul style="list-style-type: none"> • WXGA ultra short-throw projector • Power cable • VGA cable • Remote control (includes batteries) • User manual 		Style number
Specification Information		
Style Number	U.S. Price	
PJ930	\$2500	

ēno Projector Mount



Standard Includes		Required to Specify
<ul style="list-style-type: none"> • Peerless PSTA-600 universal wall mount • Mounting hardware • User manual 		Style number
Specification Information		
Style Number	U.S. Price	
PSTA600	\$500	



For Canadian Pricing
Multiply U.S. Price by the Canadian price factor.
▶ See page 1 for details.

Wall Mount Extension Bracket for ēno Projector

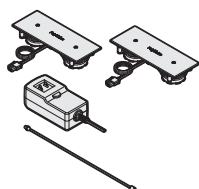


Tip: Projector and ēno white-board should be ordered separately.

Standard Includes	Required to Specify
<ul style="list-style-type: none"> • Wall mount extension bracket for ēno projector kit 	Style number

Specification Information	
Style Number	U.S. Price
ENOPROJKITEXT	\$240

ēno Play



Tip: Installation kits must be ordered separately.

Tip: ēno Play with magnets is for use with demo product only.

Standard Includes	Required to Specify
<ul style="list-style-type: none"> ▶ Need help? Product details, page 140 • 40W amplifier with driver pack • Two exciters • Power cord and adapters • 22 AWG connection wire • Mounting bracket spacers • Magnets, if selected 	Style number

Specification Information	
Style Number	U.S. Price
ENOPLAY140	\$646

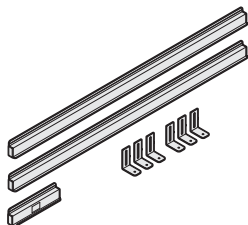
With Mounting Bracket

ENOPLAY140	\$646
------------	-------

With Magnets

ENOPLAY140M	\$646
-------------	-------

ēno Play Installation Kit



Tip: The installation kit must be ordered in addition to ENOPLAY140 and only for ēno Flex 100 and ēno Flex 200.

Standard Includes	Required to Specify
<ul style="list-style-type: none"> ▶ Need help? Product details, page 140 • Extended mounting brackets • Hardware kit 	Style number

Specification Information	
Style Number	U.S. Price
ENOPLAYFLXKITO	\$252

For use with ēno Flex 100 and ēno Flex 200

ENOPLAYFLXKITO	\$252
----------------	-------

ēno Icon Strip



Standard Includes	Required to Specify
-------------------	---------------------

- | | |
|--|---|
| Standard Includes | Required to Specify |
| <ul style="list-style-type: none"> Icon strip for dot pattern A | <ul style="list-style-type: none"> 1 Style number 2 ēno board dot pattern (see below under Required Selections) |

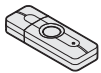
Required Selections	U.S. Price	Required to Specify
---------------------	------------	---------------------

- | Required Selections | U.S. Price | Required to Specify |
|--|------------|--|
| ēno Board <ul style="list-style-type: none"> Icon strip for dot pattern A | No cost | Specify for dot pattern A. |
| Grid Pattern <ul style="list-style-type: none"> Icon strip for dot pattern B Icon strip for dot pattern C | No cost | Specify for dot pattern B.
Specify for dot pattern C. |

Specification Information	
Style Number	U.S. Price

Style Number	U.S. Price
ENOAPPICONST	\$60
.	.
.	.

ēno Receiver



Standard Includes	Required to Specify
-------------------	---------------------

- | | |
|--|--|
| Standard Includes | Required to Specify |
| <ul style="list-style-type: none"> Need help? Product details, page 136 ēno receiver | <ul style="list-style-type: none"> Style number |

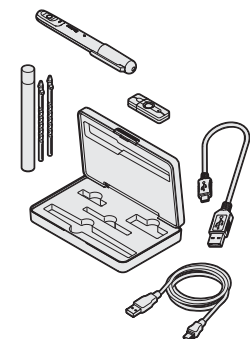
Specification Information	
Style Number	U.S. Price

Style Number	U.S. Price
ENOREC01	\$102
.	.
.	.



For Canadian Pricing
 Multiply U.S. Price by the Canadian price factor.
 ▶ See page 1 for details.

ēno Stylus 601



Tip: Stylus kit includes ēno receiver and USB extender.

Standard Includes	Required to Specify
<ul style="list-style-type: none"> ▶ Need help? Product details, page 136 • Bluetooth enabled stylus 601 • Two replacement stylus tips • One USB charging cable • Case: black plastic • ēno receiver, if stylus kit selected • USB extender, if stylus kit selected 	<ul style="list-style-type: none"> • Style number

Specification Information

• Style Number	• U.S. Price

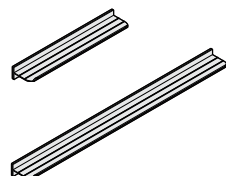
Stylus

ENOSTYLUS601	\$400

Stylus Kit

ENOSTYKIT601	\$500

Marker Trays



Standard Includes	Required to Specify
<ul style="list-style-type: none"> • Marker tray: anodized aluminum 	<ul style="list-style-type: none"> • Style number

Specification Information

• Dimensions • W	• Style • Number	• U.S. • Price
12"	MCR12	\$55
24"	MCR24	\$74

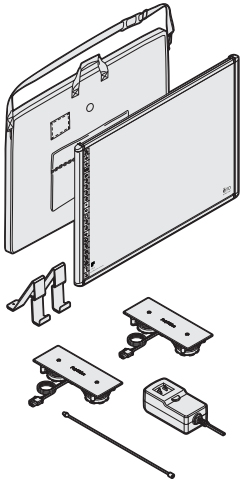


For Canadian Pricing

Multiply U.S. Price by the Canadian price factor.

▶ See page 1 for details.

ēno Demo Kit



Tip: This product is for Steelcase dealers and resellers only. It is for demonstration purposes and is not intended to be sold to clients.

		Standard Includes	Required to Specify
<p>▶ Need help? Product details, page 136</p>		<ul style="list-style-type: none"> • Interactive whiteboard (ENO2210A) • Magnetic table top stand: package of two (MS210) • Travel bag (EC210) • Magnetic ēno Play (ENOPLAY140M) • Bluetooth enabled stylus 301 • Two replacement stylus tips • One AAA battery • Two replacement stylus tips • ēno receiver • USB extender • Case: black plastic • ēno icon strip • ēno App • RM Easiteach Software 	<p>Style number</p>
Specification Information			
• Style • Number	• U.S. • Price		
ENODEMOKIT	\$1550		



For Canadian Pricing

Multiply U.S. Price by the Canadian price factor.

▶ See page 1 for details.

Understanding and Specifying Steelcase Certified Refurbished Products

Product Details

Steelcase Certified Refurbished Products **150**

Specifying

Steelcase Certified Refurbished RoomWizard II Room Scheduling System **151**

Steelcase Certified Refurbished Products

Steelcase Certified Refurbished Products are pre-owned Steelcase products that undergo Steelcase's stringent refurbishment process prior to being offered for sale.

They are in 100% working condition and sold as refurbished product at a lower price. As these refurbished products have been unpacked and manipulated, they might exhibit some minor cosmetic imperfections, such as scratches, marks, or discolorations.

Each Steelcase Certified Refurbished Product is:

- Fully tested under the same requirements as a new unit.
- Put through a thorough cleaning process and inspection.
- Re-flashed with new firmware.
Note: Firmware version may not be the most current by the time product is received. New firmware upgrade files are posted at Steelcase.com and can be upgraded post-installation.
- Repackaged (including appropriate manuals, cables, new boxes, etc.)
- Given a new refurbished style number and serial number.
- Placed into a Final QA inspection prior to being added to sellable refurbished stock.

Refurbishment procedures follow the same basic technical guidelines as Steelcase's Finished Goods testing procedures.

Warranty

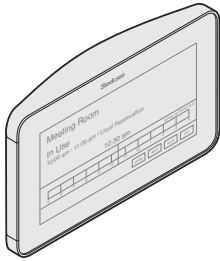
Each Steelcase Certified Refurbished product includes a 1 year warranty.

Availability

Refurbished supply is very limited. It is recommended to check with a Technology Sales Consultant or SFT representative to see if an item is available for sale.

Steelcase Certified Refurbished RoomWizard II Room Scheduling System

Steelcase Certified Refurbished
RoomWizard II Room
Scheduling System



Tip: Plan for cable routing prior to installation.

Tip: Both universal mounting bracket and direct-to-glass mounting bracket work for glass wall applications.
▶ Page 127

Tip: When using RoomWizard in conjunction with V.I.A. architectural walls use the V.I.A. mounting bracket.

Note: Remember to provide enough clearance for V.I.A. sliding doors.

Standard Includes		Required to Specify
▶ Need help? Product details, page 150	<ul style="list-style-type: none"> RoomWizard II appliance RoomWizard II operating system Standard mount Installation and operation guide Standard 1 year warranty 	1 Style number 2 Options, if selected (see below)

Options	U.S. Price	Required to Specify
Mounting Options		
• Universal mounting bracket	+\$127	Specify with universal mounting bracket.
• Direct-to-glass mounting bracket	+\$127	Specify with direct-to-glass mounting bracket.
• V.I.A. mounting bracket	+\$169	Specify with V.I.A. mount.
• Universal mounting bracket with furniture hardware kit	+\$231	Specify with universal mounting bracket with furniture hardware kit.

Specification Information	
Style Number	U.S. Base Price
RW20SCR	\$2383

Steelcase Certified Refurbished Product

 **For Canadian Pricing**
Multiply U.S. Price by the Canadian price factor.
▶ See page 1 for details.



Surface Materials

Surface Materials	154
Panel Fabric and Seating Upholstery Matrix	158
Paint Color Availability Matrix	159
Laminate Matrix	160
Recommended Surface Edge Finishes	161
Grain Directions	162

Surface Materials

This listing includes all the surface material choices that are available for the products in this specification guide.

Resources

For more information about surface materials, refer to the following resources:

Additional surface materials specification tools are available to assist you in the specification process—the Surface Materials Binders.

The global surface materials palette is a core collection of finishes that is available across multiple geographies (Americas/EMEA – Europe, Middle East, and Africa/APAC – Asia Pacific) and on global product lines, where applicable. For a list of finishes included in the offering, see the *Surface Materials Reference Manual*. Additional details, like product approvals by geography and finish number conversions, can also be found in the *Surface Materials Reference Manual* or see steelcase.com/surfacematerials.

Surface Materials Binders

- Surface Materials Reference Manual
- A complete set of swatch cards for hard surfaces, vertical surface fabrics, and seating upholstery

Paint

Steelcase Surfaces

Tip: All products may not be available in all colors listed below.

- ▶ See page 159 for an overview of the paint colors available on each component.
- Applies to:
- media:scape aluminum infills
 - media:scape kiosk totem infill
 - ScapeSeries tables
 - media:scape lounge ledges and canopies

Ⓜ = Established

Price Group 1

Smooth Paint

4242 Milk

Textured Paint

7207 Black
7225 Sand
7230 Basalt
7236 Fog Ⓜ
7237 Slate Ⓜ
7238 Fieldstone
7239 Midnight
7241 Arctic White
7243 Seagull
7278 Dark Bronze
7360 Merle

Price Group 2

Smooth Metallic Paint

4728 Nickel Metallic
4743 Mineral Metallic
4744 Pearl Metallic
4750 Champagne Metallic
4752 Steel Metallic Ⓜ
4788 Gold Dust Metallic Ⓜ
4798 Sterling Metallic
4799 Platinum Metallic
4803 Near Black Metallic

Textured Metallic Paint

7245 Carbon Metallic
7246 Midnight Metallic

Applies to:

- media:scape table legs, base, column and totem frame
 - ScapeSeries tables
- 4799 Platinum Metallic
4803 Near Black Metallic

Select Surfaces

Price Group 3

Accent paint

Accent paints allow you to choose from a pre-matched color palette of trend driven colors that are available without the PerfectMatch registration fee.

▶ Refer to the *Surface Materials Reference Manual* for more information about this program.

Custom Surfaces

Price Group 3

PerfectMatch

PerfectMatch is a service that allows you to create your own paint color. Refer to the *Surface Materials Reference Manual* for more information about this program.

Metal/Accessory Paints

Steelcase Surfaces

Applies to:

- media:scape table legs, base, column, and totem frame
- 4140 Arctic White Gloss

Applies to:

- media:scape table foot ring
 - ScapeSeries table foot ring
- 803S Stainless Steel

Laminate

Applies to:

- media:scape tables
- ScapeSeries tables
- media:scape lounge ledges and canopies

High-Pressure Laminate

Fiber Laminate

2850 Vanadium Fiber
2851 Rhyme Fiber Ⓜ
2852 Tungsten Fiber
2854 Vellum Fiber
2859 Novell Fiber
2860 Granite Fiber
2861 Coconut Fiber
2862 Stucco Fiber

Micro Laminate

2920 Marl Micro
2921 Gypsum Micro
2922 Clay Micro
2923 Shadow Micro Ⓜ

Patina Laminate

2870 Blonde Bronze Patina
2871 Blackened Bronze Patina
2873 Instant Iron Patina

Solid Laminate

2722 Cream Ⓜ
2730 Arctic White
2746 Black
2759 Warm White Ⓜ
2811 Mist Ⓜ
2883 Seagull
2884 Milk
2885 Dune

Speckle Laminate

2820 Coffee Speckle
2822 Woodrose Speckle Ⓜ
2823 Driftwood Speckle
2824 Smoke Speckle
2825 Vanadium Speckle

Note: Some wood veneer finishes and woodgrain laminates share the same name. Because of the difference in materials, veneers and laminates of the same name are not an exact match but do coordinate with each other.

Woodgrain

2406 Clear Cherry
2409 Clear Maple
2410 Graphite Walnut
2412 Natural Cherry
2422 Medium Cherry
2511 Winter on Maple
2538 Clear Walnut
2539 Warm Oak Ⓜ
2592 Blonde on Maple
2714 Natural Walnut
2772 Medium Mahogany on Walnut Ⓜ
2HAK Clear Oak
2HAT Acacia

Turnstone Laminate Collection

A selection of laminates and edge bands in this collection are available on Steelcase brand products. This collection is available with standard leadtimes and supported like standard laminates to help make ordering easy. Please see the Turnstone section of village.steelcase.com for swatching information.

2535 Virginia Walnut
2536 Blackwood
2612 Marbled Maple
2614 Chocolate Walnut
2615 Marbled Cherry

Custom Surfaces

Open Line Laminate (OLL)

This service allows you to order non-standard laminate at an additional processing fee of \$67 U.S. per worksurface or top, plus the cost of the laminate.

When processing orders for Open Line laminate

on c:scape and media:scape, specify 2900 in the laminate finish field and enter the OLL manufacturer information. Enter the required edge finish as you would a standard laminate.

Note: Open Line laminate (OLL) is not available on media:scape lounge ledges and canopies.

Laminate Approval and Material Requirements

To confirm whether a particular laminate has already been tested for use on a specific Steelcase product or to determine material square foot requirements:

- Visit www.steelcase.com

For additional information, refer to the *Surface Materials Reference Manual*.

Wood

Applies to:

- media:scape tables
- ScapeSeries tables
- media:scape lounge ledges and canopies

Steelcase carefully selects veneer and solid wood for consistent color and grain structure. Wood is a natural material and variations will occur in color, grain and texture. These variations are part of the inherent natural beauty of wood and are not considered defects.

All wood products will darken with age and exposure to ultraviolet light. This is especially apparent with cherry and maple veneer. We recommend that desk accessories be rearranged periodically to ensure even aging of wood surfaces.

When storing your wood furniture, please follow the following guidelines:

- Do not store products in trailers
- Store products in areas that simulate office temperatures (60°F to 90°F)
- Store products in areas that maintain constant, office-like humidity levels
- Keep product away from light. Cover products to make sure they are not exposed to light.

Steelcase Surfaces

Veneer

Veneers are matched for proper balance and consistency. Veneers are available flat cut or quarter cut, except for Oak, which is rift cut. Refer to the *Surface Materials Reference Manual* for descriptions of each cut.

Open-pore finish is a medium gloss finish that leaves the wood grain texture visible to the eye and distinguishable to the touch.

Flat-cut open-pore finish choices

- 3062 FC/OP Graphite Walnut
- 3402 FC/OP Clear Cherry (Aged)
- 3412 FC/OP Natural Cherry **E**
- 3422 FC/OP Medium Cherry
- 3522 FC/OP Clear Maple*
- 3572 FC/OP Amber on Maple **E**
- 3592 FC/OP Blonde on Maple
- 3702 FC/OP Clear Walnut
- 3712 FC/OP Natural Walnut
- 3722 FC/OP Dark Mahogany on Walnut
- 3752 FC/OP Medium Walnut
- 3762 FC/OP Dark Walnut
- 3772 FC/OP Medium Mahogany on Walnut

E = Established

Quarter-cut open-pore finish choices

- 3042 QC/OP Ash*
- 3222 QC/OP Clear Maple*
- 3272 QC/OP Amber on Maple **E**
- 3292 QC/OP Blonde on Maple
- 3302 QC/OP Clear Walnut
- 3312 QC/OP Natural Walnut
- 3322 QC/OP Dark Mahogany on Walnut
- 3352 QC/OP Medium Walnut
- 3362 QC/OP Dark Walnut
- 3372 QC/OP Medium Mahogany on Walnut
- 3382 QC/OP Graphite Walnut

Rift-cut open-pore finish choices

- 3602 RC/OP Desert Oak
- 3612 RC/OP Warm Oak **E**
- 3692 RC/OP Espresso Oak

Full-fill finish is a medium-gloss finish that completely fills the grain texture, yet allows the grain pattern to be seen. The wood has a lustrous, satiny look, and it is smooth to the touch. This finish is available on the wood desks or top only.

Flat-cut full-fill finish choices

- 3064 FC/FF Graphite Walnut
- 3404 FC/FF Clear Cherry (Aged)
- 3414 FC/FF Natural Cherry **E**
- 3424 FC/FF Medium Cherry
- 3524 FC/FF Clear Maple*
- 3544 FC/FF Blonde on Maple
- 3574 FC/FF Amber on Maple **E**
- 3704 FC/FF Clear Walnut
- 3714 FC/FF Natural Walnut
- 3724 FC/FF Dark Mahogany on Walnut
- 3754 FC/FF Medium Walnut
- 3764 FC/FF Dark Walnut
- 3774 FC/FF Medium Mahogany on Walnut

Quarter-cut full-fill finish choices

- 3224 QC/FF Clear Maple*
- 3274 QC/FF Amber on Maple **E**
- 3294 QC/FF Blonde on Maple
- 3304 QC/FF Clear Walnut
- 3314 QC/FF Natural Walnut
- 3324 QC/FF Dark Mahogany on Walnut
- 3354 QC/FF Medium Walnut
- 3364 QC/FF Dark Walnut
- 3374 QC/FF Medium Mahogany on Walnut
- 3384 QC/FF Graphite Walnut

Rift-cut full-fill finish choices

- 3604 RC/FF Desert Oak
- 3614 RC/FF Warm Oak **E**
- 3694 RC/FF Espresso Oak

**To ensure an understanding of the color ranges and characteristic variations of natural veneer, a sign-off sheet is required prior to orders being accepted for this clear-coat finish. The sign-off sheet is available through Steelcase advertising stock. Please use form number 09-0000756 for 3042, form number 05-001370 for 3222 and 3224.*

Steelcase Surfaces

Premium Veneers

A selection of Premium veneers in this collection are available on most Steelcase brand products. The collection will be available as close to standard leadtimes as possible. However, because adequate supplies of veneer and solids must be secured, all orders will be scheduled individually. Lead-times will vary based on Premium veneer and Premium solids availability at the time the order is placed. The collection is Graded-In as Wood Group 2 and Wood Group 3, and supported like standard veneers to make ordering easy. Please see the Steelcase surface materials section on village.steelcase.com for sample information and product line availability. All premium veneers are in clear-coat.

Quarter-cut open-pore finish choices Wood Group 2

- 3032 QC/OP Dark Thin Line Bamboo
- 3052 QC/OP Ribbon Sapele

Wood Group 3

- 3832 QC/OP Figured Anegre
- 3842 QC/OP Figured Makore

Note: Full-fill finish is not available on Premium veneers as a standard. To ensure an understanding of the color ranges and characteristic variations of natural veneer, a sign-off sheet is required prior to orders being accepted for this clear-coat finish. The sign-off sheet is available through Steelcase advertising stock. Please use form number 09-0000755 for 3032, form number 09-0000757 for 3052, form number 09-0000758 for 3832, and form number 09-0000759 for 3842.

Custom Surfaces

Customiz stain is a service that allows you to create your own stain colors and finishes on standard veneer. Customiz stain color is available on all product lines that offer wood veneer.

A \$500 stain-matching fee applies on CUSTOMIZ requests (Exception: The \$500 fee does not apply on matches to Coalesce standard finishes or for a low-gloss finish request on a standard color). The \$500 fee covers the cost of formulating the Customiz color finish and applies regardless of whether or not an order for product is placed.

In addition, an approval form must be signed to indicate customer acceptance of Customiz match. A \$1,500 initiation fee will be charged prior to first order entry. This initiation fee activates the finish for unlimited use on any Steelcase product for an 18 month time period. After the 18 month time period has lapsed, the Customiz finish may be reactivated for another 18 months for a \$1,000 fee at any point within five years after the \$1,500 initiation fee was paid. If the finish is not reactivated within five years after the \$1,500 initiation fee was paid, the finish will be culled and the customer will need to pay the \$1,500 initiation fee again. All style number related Customiz charges products are no cost as of April 2014. The matching and initiation fees are not discountable.

Customiz stain takes 10 days to formulate. Consult the *Surface Materials Reference Manual* for more information. Custom veneers are also available and must be quoted by Steelcase specials group. Customiz stain on custom veneers takes 2 to 4 weeks to formulate.

Ⓔ = Established

Requirements and information on ordering a Customiz stain color are found in the *Surface Materials Reference Manual*.

Plastic
Steelcase Surfaces

Applies to:

- media:scape tables
- ScapeSeries tables
- media:scape lounge ledges and canopies

- 6000 Black* Ⓔ
- 6001 Coffee* Ⓔ
- 6009 Arctic White* Ⓔ
- 6034 Natural Cherry
- 6036 Medium Cherry
- 6037 Winter on Maple
- 6038 Blonde on Maple
- 6041 Natural Walnut
- 6045 Medium Mahogany on Walnut Ⓔ
- 6052 Milk
- 6053 Seagull*
- 6213 Acacia
- 6219 Clear Oak
- 6231 Graphite Walnut*
- 6234 Clear Cherry*
- 6237 Clear Maple*
- 6242 Virginia Walnut*
- 6243 Blackwood*
- 6245 Clear Walnut*
- 6246 Warm Oak* Ⓔ
- 6249 Platinum Solid*
- 6615 Grey V5*
- 6619 Ice* Ⓔ
- 6631 Cream* Ⓔ
- 6635 Dawn* Ⓔ
- 6636 Mist*
- 6654 Sand*
- 6655 Warm White*
- 6676 Marbled Maple
- 6677 Chocolate Walnut
- 6678 Marbled Cherry
- 6694 Slate*
- 6695 Midnight*
- 6697 Fog*
- 6698 Fieldstone*

*These solid color and woodgrain edge colors are a polyolefin blend, PVC-free material for 3 mm and 1 mm edge banding.

Note: Light color plastic edges are susceptible to degradation due to normal wear and tear. Staining (e.g., ball point pen or clothing dyes such as blue jeans) and dirt effects are more pronounced in light colors and are not considered defects.

Seating Upholstery

Applies to:

- media:scape lounge

Steelcase Surfaces
Price Group 1

Buzz2

- 5F01 Camel Ⓔ
- 5F03 Tomato
- 5F04 Red Ⓔ
- 5F05 Burgundy
- 5F06 Sky Ⓔ
- 5F07 Blue
- 5F08 Navy
- 5F10 Grape Ⓔ
- 5F11 Eggplant
- 5F15 Stone
- 5F17 Black
- 5G50 Dunegrass
- 5G51 Sable
- 5G52 Barley
- 5G53 Sunrise
- 5G54 Carrot
- 5G55 Pumpkin
- 5G56 Timber
- 5G57 Rouge
- 5G58 Chocolate
- 5G59 Meadow
- 5G60 Ivy
- 5G61 Cyan
- 5G62 Atlantic
- 5G63 Crocus
- 5G64 Alpine
- 5G65 Tornado

Jacks

- 5B61 Taupe Ⓔ
- 5B63 Camel Ⓔ
- 5B64 Pewter Ⓔ
- 5B70 Midnight Ⓔ

Link

- 5A20 Burgundy
- 5A23 Green
- 5A24 Blue
- 5A25 Navy
- 5A26 Purple
- 5A27 Black
- 5A28 Ocean
- 5A30 Chamois

Playground

- 5F28 Claret Ⓔ
- 5F29 Chile Ⓔ
- 5F30 Amber Ⓔ
- 5F31 Nut Ⓔ
- 5F32 Blade Ⓔ
- 5F33 Stone Ⓔ
- 5F34 Sky Ⓔ
- 5F35 Navy Ⓔ
- 5F36 Huckleberry Ⓔ
- 5F37 Charcoal Ⓔ

Price Group 2

Chainmail

- 5550 Cotton
- 5551 Space
- 5552 Silver Dollar
- 5553 Volcano
- 5554 Orange Crush
- 5555 Tricycle
- 5556 Geranium
- 5557 Banana
- 5558 Margarita
- 5559 Lagoon

Cogent: Connect

- 5S15 Coconut
- 5S16 Turmeric
- 5S17 Tangerine
- 5S18 Scarlet
- 5S19 Concord
- 5S20 Maya Blue
- 5S21 Blue Jay
- 5S23 Wasabi
- 5S24 Nickel
- 5S25 Graphite
- 5S26 Licorice
- 5S27 Malt
- 5S28 Root Beer
- 5S93 Blueprint
- 5S94 Lizard
- 5S95 Sailor
- 5S96 Quicksilver
- 5S97 Nugget
- 5S98 Canary
- 5S99 Lipstick
- 5SD0 Royal Blue

Seating Vinyl Ⓔ

- 5801 Topaz
- 5805 Foggy Night
- 5809 Black
- 5810 Forest
- 5812 Navy
- 5813 Currant
- 5814 Leaf
- 5815 Seaside
- 5817 Pebble
- 5818 Spice
- 5819 Thistle
- 5820 Coffee
- 5822 Iris

Spyder

- 5B01 Foggy Night Ⓔ
- 5B04 Peri Ⓔ

Stand In

- 5621 Sleet
- 5622 Lunar
- 5623 Cyclone
- 5624 Eclipse
- 5625 Powder
- 5626 Chardonnay
- 5627 Graham
- 5628 Sediment
- 5629 Allspice
- 5630 Apple
- 5631 Lava
- 5632 Cayenne
- 5633 Plantain
- 5634 Parsley
- 5635 Scallion
- 5636 Atlantic
- 5691 Orca

Price Group 3

Gaja – C2C

- 5W40 Black
- 5W41 Pepper
- 5W42 Pearl Grey
- 5W43 Crimson
- 5W44 Ink
- 5W45 Night Blue
- 5W46 Petrol
- 5W47 Greige
- 5W48 Sepia
- 5W49 Umber
- 5W50 Java
- 5W51 Camellia Red
- 5W52 Emerald
- 5W53 Snow Pea
- 5W54 Olive
- 5W55 Light Blue
- 5W56 Maroon
- 5W57 Black Raspberry
- 5W58 Spruce
- 5W59 Apple Green
- 5W60 Deep Blue
- 5W61 Chili Pepper
- 5W62 Daffodil

Imperma

- TM01 Toffee
- TM02 Pigeon
- TM03 Fossil
- TM04 Poppyseed
- TM05 Auburn
- TM06 Cumin
- TM07 Marble
- TM08 Cliff
- TM09 Tarragon
- TM10 Pesto
- TM11 Wave
- TM12 Niagara
- TM13 Tuscan
- TM14 Peppercorn

Redeem

TM50 Brick
 TM51 Yolk
 TM52 Cinnamon
 TM53 Daisy
 TM54 Pine
 TM55 Water
 TM56 Dill
 TM57 Lavender
 TM58 Mallard
 TM59 Caramel
 TM60 Greyhound
 TM61 Mocha
 TM62 Iceberg
 TM63 Chestnut
 TM64 Granite
 TM65 Cashmere
 TM66 Barnwood

Retrieve

TM30 Kelly
 TM31 Lake
 TM32 Gala
 TM33 Papaya
 TM34 Dandelion
 TM35 Curry
 TM36 Lilac
 TM37 Submarine
 TM38 Driftwood
 TM39 Bistro
 TM40 Quarry
 TM41 Mohair
 TM42 Shadow
 TM43 Seal
 TM44 Chalk

Texel

TM20 Angora
 TM21 Grist
 TM22 Galaxy
 TM23 Terracotta
 TM24 Nude
 TM25 Field
 TM26 Haze

Price Group 6**Bo Peep**

5G66 Pita
 5G67 Bone
 5G68 Safari
 5G69 Brown Sugar
 5G70 Chocolate Chip
 5G71 Candlelight
 5G72 Honey Mustard
 5G73 Marmalade
 5G74 Picnic
 5G75 Pinot
 5G76 Bloom
 5G77 Grapevine
 5G78 Firefly
 5G79 Artichoke
 5G80 Serpent
 5G81 Carolina
 5G82 Blue Bonnet
 5G83 Nautical
 5G84 Gravel
 5G85 Sharkskin
 5G86 Kohl

E = Established

Remix

RE01 Rust
 RE02 Pumpkin
 RE03 Pebble
 RE04 Dark Chocolate
 RE05 Beige
 RE06 Linen Beige
 RE07 Hazelnut
 RE08 Concrete Grey
 RE09 Sky Blue
 RE10 Blue Jean
 RE11 Ivy Green
 RE12 Primavera Yellow
 RE13 Night Blue

Price Group 6**Brisa**

BR01 Black Onyx
 BR04 Truffle
 BR06 Ash
 BR07 Sage
 BR08 Celery
 BR09 Sterling Blue
 BR10 Night Navy
 BR11 Cambridge Blue
 BR12 Abyss
 BR13 Canyon
 BR14 Pompeian Red
 BR15 Salsa
 BR16 Cinnebar
 BR17 Aztec
 BR18 New Sand
 BR19 Cream
 BR20 White
 BR21 Moccasin
 BR22 Buckskin
 BR23 Prairie

Price Group 7**Steelcut Trio**

TR01 Mist Grey
 TR02 Stone Grey
 TR03 Cassonade Beige
 TR04 Nutmeg Beige
 TR05 Chocolate Blue
 TR06 Licorice Black
 TR07 Mustard Yellow
 TR08 Red Currant
 TR09 Raspberry Pink
 TR10 Myrtle Brown
 TR11 Ice Blue
 TR12 Electric Blue
 TR13 Peppermint Green
 TR14 Blue Jay Mix
 TR15 Brown Frost
 TR16 Lime Green

Leather Price Group

L107 Black
 L207 Mahogany
 L220 Soapstone
 L221 Rocky
 L500 Camel
 L503 Navy

Select Surfaces

For information on products within Select Surfaces, including accent paints and fabrics from Designtex, Gabriel, Kvadat, and Pollack, please refer to the *Surface Materials Reference Manual* or visit Steelcase.com/selectsurfaces.

Applies to:

- media:scape lounge
- canopy fabric panels

Connect 3D

5014 Royal Blue
 5015 Coconut
 5016 Turmeric
 5017 Tangerine
 5018 Scarlet
 5019 Concord
 5020 Maya Blue
 5021 Blue Jay
 5023 Wasabi
 5024 Nickel
 5025 Graphite
 5026 Licorice
 5027 Malt
 5028 Root Beer
 5030 Sailor

Custom Surfaces**Price Group COM (Customer's Own Material)****Fabric Approval and Yardage**

To confirm whether a particular COM material has already been tested for use on a specific Steelcase product or to determine actual yardage requirements:

- Visit www.steelcase.com

For additional information regarding Customer's Own Material,

call 1.888.STEELCASE (1.888.783.3522) or send an e-mail to lineone@steelcase.com.

Panel Fabric and Seating Upholstery Matrix

Legend

- = Not available
- = Available
- Ⓜ = Established

	media:scape Lounge	media:scape Lounge canopy
Panel Fabric		
Abacus Price Group 1	•	•
Acadia Price Group 1	•	•
Brunswick Price Group 2	•	•
Regatta Price Group 2	•	•
Seating Upholstery		
Bo Peep Price Group 5	■	•
Brisa Price Group 6	■	•
Brooch Price Group 5	•	•
Buzz2 Price Group 1	■	•
Chainmail Price Group 2	■	•
Cogent:Connect Price Group 2	■	•
Connect 3D	•	■
Gaja – C2C Price Group 3	■	•
Imperma Price Group 3	■	•
Jacks Price Group 1 Ⓜ	■	•
Leather Leather Price Group	■	•
Link Price Group 1	■	•
Playground Price Group 1 Ⓜ	■	•
Point Price Group 7	•	•
Redeem Price Group 3	■	•
Remix Price Group 5	■	•
Retrieve Price Group 3	■	•
Rough and Ready Price Group 6	■	•
Seating Vinyl Price Group 2 Ⓜ	■	•
Spyder Price Group 2	■	•
Stand In Price Group 2	■	•
Steelcut Trio Price Group 7	■	•
Texel Price Group 3	■	•

Paint Color Availability Matrix

Legend

- = Not available
- = Available
- Ⓢ = Established

	mediascope Tables Column, table base, table feet, totem frame, totem-mounted camera ledge, and CODEC cases			Totem infills			Shrouds and shroud mounted camera ledges			ScapeSeries Tables Column, table base, table feet, and shroud			mediascope mini and mobile Shroud, bridge, and media well			mediascope kiosk Base, feet, column, totem, frame, and media well		
Paint Price Group 1 (Smooth)																		
4242 Milk	•	■	•	•	•	•	•	•	•	•	•	•	•	•	•			
Paint Price Group 1 (Textured)																		
7207 Black	•	■	•	•	•	•	•	•	•	•	•	•	•	•	•			
7225 Sand	•	■	•	•	•	•	•	•	•	•	•	•	•	•	•			
7230 Basalt	•	■	•	•	•	•	•	•	•	•	•	•	•	•	•			
7236 Fog Ⓢ	•	■	•	•	•	•	•	•	•	•	•	•	•	•	•			
7237 Slate Ⓢ	•	■	•	•	•	•	•	•	•	•	•	•	•	•	•			
7238 Fieldstone	•	■	•	•	•	•	•	•	•	•	•	•	•	•	•			
7239 Midnight	•	■	•	•	•	•	•	•	•	•	•	•	•	•	•			
7241 Arctic White	•	■	•	•	•	•	•	•	•	•	•	•	•	•	•			
7243 Seagull	•	■	•	•	•	•	•	•	•	•	•	•	•	•	•			
7278 Dark Bronze	•	■	•	•	•	•	•	•	•	•	•	•	•	•	•			
7360 Merle	•	■	•	•	•	•	•	•	•	•	•	•	•	•	•			
Paint Price Group 2 (Metallic)																		
4728 Nickel Metallic	•	■	•	•	•	•	•	•	•	•	•	•	•	•	•			
4743 Mineral Metallic	•	■	•	•	•	•	•	•	•	•	•	•	•	•	•			
4744 Pearl Metallic	•	■	•	•	•	•	•	•	•	•	•	•	•	•	•			
4750 Champagne Metallic	•	■	•	•	•	•	•	•	•	•	•	•	•	•	•			
4752 Steel Metallic Ⓢ	•	■	•	•	•	•	•	•	•	•	•	•	•	•	•			
4788 Gold Dust Metallic Ⓢ	•	■	•	•	•	•	•	•	•	•	•	•	•	•	•			
4798 Sterling Metallic	•	■	•	•	•	•	•	•	•	•	•	•	•	•	•			
4799 Platinum Metallic	■	■	■	■	■	■	■	■	■	■	■	■	■	■	■			
4803 Near Black Metallic	■	■	■	■	■	■	■	■	■	■	■	■	■	■	■			
7245 Carbon Metallic	•	■	•	•	•	•	•	•	•	•	•	•	•	•	•			
7246 Midnight Metallic	•	■	•	•	•	•	•	•	•	•	•	•	•	•	•			
Paint Price Group 2 (Smooth)																		
0835 Black Ⓢ	•	■	•	•	•	•	•	•	•	•	•	•	•	•	•			
Accessory Paints																		
4140 Arctic White Gloss	■	•	■	■	■	■	■	■	■	■	■	■	■	■	■			
4144 Black Gloss	•	•	•	•	•	•	•	•	•	•	•	•	•	•	•			

Laminate Matrix

High-Pressure Laminate

Legend

- = Not available
- = Available
- = Available with exceptions
- Ⓜ = Established

	media:scape Tables	ScapeSeries Tables	media:scape Lounge Ledge and Canopy
--	--------------------	--------------------	-------------------------------------

High-Pressure Laminates (HPL)

Fiber Laminates

2850 Vanadium Fiber	■	■	■
2851 Rhyme Fiber Ⓜ	■	■	■
2852 Tungsten Fiber	■	■	■
2854 Vellum Fiber	■	■	■
2859 Novell Fiber	■	■	■
2860 Granite Fiber	■	■	■
2861 Coconut Fiber	■	■	■
2862 Stucco Fiber	■	■	■

Micro Laminates

2920 Marl Micro	■	■	■
2921 Gypsum Micro	■	■	■
2922 Clay Micro	■	■	■
2923 Shadow Micro Ⓜ	■	■	■

Patina Laminates

2870 Blonde Bronze Patina	■	■	■
2871 Blackened Bronze Patina	■	■	■
2873 Instant Iron Patina	■	■	■

Solid Laminates

2722 Cream Ⓜ	■	■	■
2730 Arctic White	■	■	■
2746 Black	■	■	■
2759 Warm White Ⓜ	■	■	■
2811 Mist Ⓜ	■	■	■
2883 Seagull	■	■	■
2884 Milk	■	■	■
2885 Dune	■	■	■

Speckle Laminates

2820 Coffee Speckle	■	■	■
2822 Woodrose Speckle Ⓜ	■	■	■
2823 Driftwood Speckle	■	■	■
2824 Smoke Speckle	■	■	■
2825 Vanadium Speckle	■	■	■

	media:scape Tables	ScapeSeries Tables	media:scape Lounge Ledge and Canopy
--	--------------------	--------------------	-------------------------------------

High-Pressure Laminates (HPL)

Woodgrain Laminates

2406 Clear Cherry	■	■	■
2409 Clear Maple	■	■	■
2410 Graphite Walnut	■	■	■
2412 Natural Cherry	■	■	■
2422 Medium Cherry	■	■	■
2511 Winter on Maple	■	■	■
2538 Clear Walnut	■	■	■
2539 Warm Oak Ⓜ	■	■	■
2592 Blonde on Maple	■	■	■
2714 Natural Walnut	■	■	■
2772 Med Mahogany on Walnut Ⓜ	■	■	■
2HAK Clear Oak	■	■	■
2HAT Acacia	■	■	■

Turnstone Laminate Collection

2535 Virginia Walnut	■	■	■
2536 Blackwood	■	■	■
2612 Marbled Maple	■	■	■
2614 Chocolate Walnut	■	■	■
2615 Marbled Cherry	■	■	■

Open Line Laminate (Upcharge)

Open Line Laminate	■	■	•
--------------------	---	---	---

Recommended Surface Edge Finishes

Recommended Surface
Edge Finishes

Recommended Edge Colors for media:scape Tables and ScapeSeries Tables—High-Pressure Laminate

Edges

The recommended edge color will complement the laminate color you specify. Edge color is specified separately.

Laminate Color	Recommended Edge Color
Fiber Laminate	
2850 Vanadium Fiber	6654 Sand
2851 Rhyme Fiber E	6631 Cream
2852 Tungsten Fiber	6636 Mist
2854 Vellum Fiber	6655 Warm White
2859 Novell Fiber	6001 Coffee
2860 Granite Fiber	6000 Black
2861 Coconut Fiber	6654 Sand
2862 Stucco Fiber	6053 Seagull
Micro Laminate	
2920 Marl Micro	6053 Seagull
2921 Gypsum Micro	6654 Sand
2922 Clay Micro	6654 Sand
2923 Shadow Micro E	6249 Platinum Solid
Patina Laminate	
2870 Blonde Bronze Patina	6654 Sand
2871 Blackened Bronze Patina	6615 Grey V5
2873 Instant Iron Patina	6615 Grey V5
Solid Laminate	
2722 Cream E	6631 Cream
2730 Arctic White	6009 Arctic White
2746 Black	6000 Black
2759 Warm White E	6655 Warm White
2811 Mist E	6636 Mist
2883 Seagull	6053 Seagull
2884 Milk	6052 Milk
2885 Dune	6654 Sand
Speckle Laminate	
2820 Coffee Speckle	6631 Cream
2822 Woodrose Speckle E	6635 Dawn E
2823 Driftwood Speckle	6631 Cream
2824 Smoke Speckle	6636 Mist
2825 Vanadium Speckle	6619 Ice E

E = Established

Laminate Color	Recommended Edge Color
Woodgrain Laminate	
2406 Clear Cherry	6234 Clear Cherry
2409 Clear Maple	6237 Clear Maple
2410 Graphite Walnut	6231 Graphite Walnut
2412 Natural Cherry	6034 Natural Cherry
2422 Medium Cherry	6036 Medium Cherry
2511 Winter on Maple	6037 Winter on Maple
2538 Clear Walnut	6245 Clear Walnut
2539 Warm Oak E	6246 Warm Oak E
2592 Blonde on Maple	6038 Blonde on Maple
2714 Natural Walnut	6041 Natural Walnut
2772 Medium Mahogany on Walnut E	6045 Medium Mahogany on Walnut E
2HAK Clear Oak	6219 Clear Oak
2HAT Acacia	6213 Acacia

Turnstone Laminate Collection*

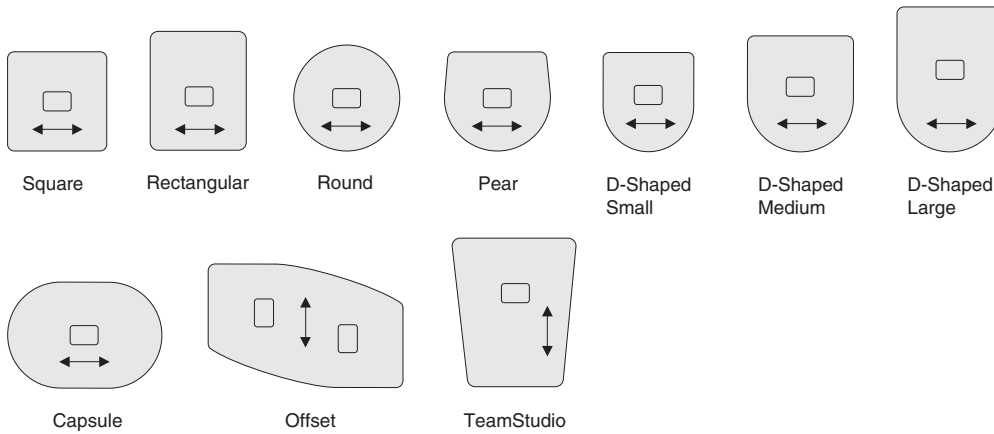
2535 Virginia Walnut	6242 Virginia Walnut
2536 Blackwood	6243 Blackwood
2612 Marbled Maple	6676 Marbled Maple
2614 Chocolate Walnut	6677 Chocolate Walnut
2615 Marbled Cherry	6678 Marbled Cherry

* A selection of laminates and edge bands in this collection are available on Steelcase brand products. This collection is available with standard leadtimes and supported like standard laminates to help make ordering easy.

Grain Directions

Directional Veneer Grain Directions

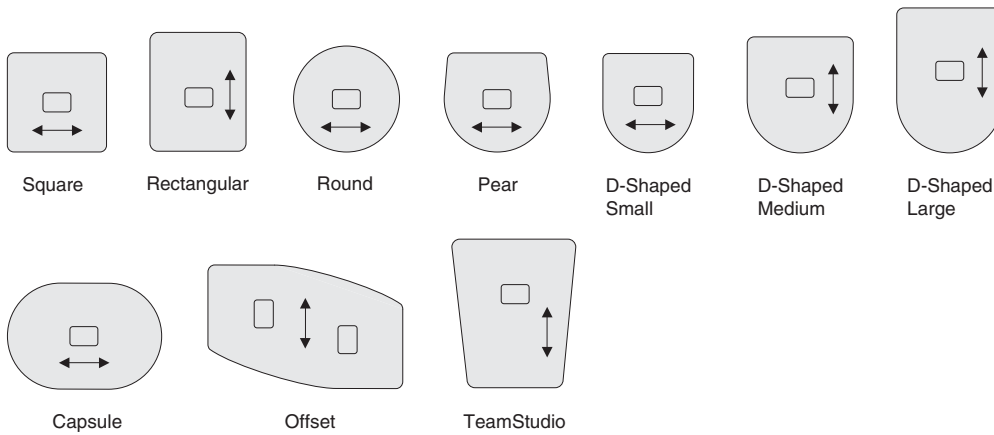
media:scape Table—Wood Veneer



Wood veneer is standard with the grain directions shown.

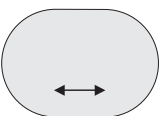
Directional Laminate Grain Directions

media:scape Table—High-Pressure Laminate



Directional laminates are standard with the grain directions shown.

ScapeSeries Tables—High-Pressure Laminate



Directional laminates are standard with the grain directions shown.

Resources

Maintenance Agreement Renewals	164
Style Number Index	166

Maintenance Agreement Renewals

About Maintenance Agreement Renewals

Steelcase maintenance agreement renewals provide an extension of our enhanced support system that features software/firmware enhancements, expedited shipping for hardware replacements, and prioritized technical support.

Renewal Lengths and Bundling Option

Maintenance agreement renewals are available for 1, 2, and 3 year terms.

Customers with multiple maintenance agreements will be able to bundle some or all of their applicable Steelcase technology products into a single maintenance agreement.

How to Order

Maintenance agreement renewals follow a special ordering process that requires a customer specific quote generated by Steelcase. Please contact MAs@steelcase.com for complete renewal process information or with any questions.

Tip: When selecting the 2 year renewal option, the list price is 15% less per year compared to the base price. When selecting the 3 year renewal option, the list price is 30% less per year compared to the base price.

		1 year Renewal	2 year Renewal	3 year Renewal
Pricing				
media:scape tables Maintenance Agreement Renewal	MTMTNC	\$1650	\$2805	\$3465
media:scape mini and mobile Maintenance Agreement Renewal	MMMTNC	\$ 825	\$1403	\$1733
media:scape Virtual PUCK Maintenance Agreement Renewal	MSVPKMTNC	\$ 450	\$ 765	\$ 945
FlexFrame with media:scape Maintenance Agreement Renewal	FFDDMTNC	\$ 825	\$1403	\$1733
FrameOne with media:scape Maintenance Agreement Renewal	FMMTNC	\$1650	\$2805	\$3465
Coalesse Exponents media board with media:scape Maintenance Agreement Renewal	COC1MBWMSMTNC	\$ 825	\$1403	\$1733



For Canadian Pricing

Multiply U.S. Price by the Canadian price factor.

▶ See page 1 for details.

Style Number Index

Style Number	Page	Description
COC1MBWMSMTNC	164	Coalesse Exponents Maint. Agmt Renewal
CQSA	54	Seismic Anchor Brackets
DTPRWS01	130	Lotus Domino Synch Package
DTPRWS03	131	Microsoft Exchange Cloud Sync Pkg
DTPRWS04	130	Microsoft Exchange Enterprise Sync Pkg
DTPRWS04U	130	Microsoft Exchange Enterprise Sync Pkg
ENO2610A	141	ēno Classic Interactive Whiteboard
ENO2610B	141	ēno Classic Interactive Whiteboard
ENO2610C	141	ēno Classic Interactive Whiteboard
ENO2810A	141	ēno Classic Interactive Whiteboard
ENO2810B	141	ēno Classic Interactive Whiteboard
ENO2810C	141	ēno Classic Interactive Whiteboard
ENOAPPICONST	146	ēno Icon Strip
ENOCCLICK2650A	142	ēno Click Interactive Whiteboard
ENOCCLICK2650B	142	ēno Click Interactive Whiteboard
ENOCCLICK2650C	142	ēno Click Interactive Whiteboard
ENOCCLICK2850A	142	ēno Click Interactive Whiteboard
ENOCCLICK2850B	142	ēno Click Interactive Whiteboard
ENOCCLICK2850C	142	ēno Click Interactive Whiteboard
ENODEMOKIT	148	ēno Demo Kit
ENOFLEX686	143	ēno Flex Interactive Whiteboard
ENOFLEXA100	143	ēno Flex Interactive Whiteboard
ENOFLEXA200	143	ēno Flex Interactive Whiteboard
ENOFLEXAB280	143	One Whiteboard w/Pattern A and Pattern B
ENOPLAY140	145	ēno Play
ENOPLAY140M	145	ēno Play
ENOPLAYFLXKITO	145	ēno Play Installation Kit
ENOPROJKIT	144	ēno Projector Kit
ENOPROJKITEXT	145	Wall Mount Ext Bracket, 3no Projector
ENOREC01	146	ēno Receiver
ENOSTYKIT601	147	ēno Stylus 601
ENOSTYLUS601	147	ēno Stylus 601
FFDDMTNC	164	FlexFrame Maintenance Agreement Renewal
FMMTNC	164	FrameOne Maintenance Agreement Renewal
M02MINIA	87	media:scape mini
M02MOBILEA	88	media:scape mobile
M02MOBILEHK	89	HDVC Kit
MCR12	147	Tray-Magnetic, Marker
MCR24	147	Tray-Magnetic, Marker
MLBBF	123	Backless Lounge
MLBBS	123	Backless Lounge
MLLCE	117	Corner Lounge
MLLCF	117	Corner Lounge
MLLCS	117	Corner Lounge
MLRCE	117	Corner Lounge
MLRCF	117	Corner Lounge
MLRCS	117	Corner Lounge
MLRLE	120	Reverse Lounge
MLRLF	120	Reverse Lounge
MLRLS	120	Reverse Lounge
MLRRE	120	Reverse Lounge
MLRRF	120	Reverse Lounge
MLRRS	120	Reverse Lounge
MLSIE	113	Straight Inverted Lounge
MLSIF	113	Straight Inverted Lounge

Style Number	Page	Description
MLSIS	113	Straight Inverted Lounge
MLSTE	111	Straight Lounge
MLSTF	111	Straight Lounge
MLSTS	111	Straight Lounge
MMMTNC	164	media:scape mini/mob Maint Agmt Renewal
MS01PKDP01	65	media:scape Analog PUCK
MS01PKDP02	65	media:scape Analog PUCK
MS01PKHD01	65	media:scape Analog PUCK
MS02PKDP01	62	media:scape PUCK
MS02PKDP02	62	media:scape PUCK
MS02PKHD01	62	media:scape PUCK
MS02PKVG01	62	media:scape PUCK
MS02VPK01	63	media:scape Virtual PUCK
MSVPKMTNC	164	media:scape Virtual PUCK Maint Agmt Renewal
MT02DC6084	47	Desk-Height Tables
MT02DC6084T	46	Desk-Height Tables
MT02DF12076T	46	Desk-Height Tables
MT02DK	77	media:scape kiosk
MT02DL7860	47	Desk-Height Tables
MT02DL7860T	46	Desk-Height Tables
MT02DM6660	47	Desk-Height Tables
MT02DM6660T	46	Desk-Height Tables
MT02DP4854T	46	Desk-Height Tables
MT02DR60	47	Desk-Height Tables
MT02DR7260	47	Desk-Height Tables
MT02DR7260T	45	Desk-Height Tables
MT02DS6060	47	Desk-Height Tables
MT02DS6060T	45	Desk-Height Tables
MT02DSD4848T	46	Desk-Height Tables
MT02HD0110	60	HDMI Cable
MT02HD0125	60	HDMI Cable
MT02HD0150	60	HDMI Cable
MT02HD0175	60	HDMI Cable
MT02HDVCKIT	58	HDVC Kit
MT02LP4854T	43	Lounge-Height Tables
MT02LR54	43	Lounge-Height Tables
MT02LS4848T	43	Lounge-Height Tables
MT02SC169	60	Scaler
MT02SC6084	51	Stool-Height Tables
MT02SC6084T	50	Stool-Height Tables
MT02SF12076T	50	Stool-Height Tables
MT02SK	77	media:scape kiosk
MT02SL7860	51	Stool-Height Tables
MT02SL7860T	50	Stool-Height Tables
MT02SM6660	51	Stool-Height Tables
MT02SM6660T	50	Stool-Height Tables
MT02SR60	51	Stool-Height Tables
MT02SR7260	51	Stool-Height Tables
MT02SR7260T	49	Stool-Height Tables
MT02SS6060	51	Stool-Height Tables
MT02SS6060T	49	Stool-Height Tables
MT02ST7560	52	Stool-Height Tables
MT02ST7560T	52	Stool-Height Tables
MT02ST7560TT	52	Stool-Height Tables
MT02TK	61	media:scape Digital Upgrade Package

Style Number	Page	Description
MTCC2	59	CODEC Case
MTCC5	59	CODEC Case
MTHS	59	Camera Ledge
MTHT	59	Camera Ledge
MTMTNC	164	media:scape Tables Maint Agmt Renewal
MTSTCT	53	Cable Track for media:scape TeamStudio
MTSWD32	56	Wall-Mounted Shroud
MTSWD42	56	Wall-Mounted Shroud
MTSWD42C	56	Wall-Mounted Shroud
MTSWD46	56	Wall-Mounted Shroud
MTSWD46C	57	Wall-Mounted Shroud
MTSWD55	57	Wall-Mounted Shroud
MTSWD65	57	Wall-Mounted Shroud
MTSWQ32	57	Wall-Mounted Shroud
MTSWQ42	57	Wall-Mounted Shroud
MTSWS32	56	Wall-Mounted Shroud
MTSWS42	56	Wall-Mounted Shroud
MTSWS46	56	Wall-Mounted Shroud
MTSWS55	56	Wall-Mounted Shroud
MTSWS65	56	Wall-Mounted Shroud
MTSWT32	57	Wall-Mounted Shroud
MTSWT42	57	Wall-Mounted Shroud
MTSWT42C	57	Wall-Mounted Shroud
MTSWT46	57	Wall-Mounted Shroud
MTSWT46C	57	Wall-Mounted Shroud
MTSWT55	57	Wall-Mounted Shroud
MTSWT65	57	Wall-Mounted Shroud
PJ930	144	ēno Projector
PSTA600	144	ēno Projector Mount
RW20	129	RoomWizard II Room Scheduling System
RW20FMK	131	Furniture Mount Hardware Kit
RW20SCR	151	Refurb RoomWizard II Room Sch System
RWJPM	131	RoomWizard II Junction Box-Plate Mount
SSBPDSWSPL	95	Power and Data Strip
SSTD3242	94	Desk-Height Scape Series Table
SSTS3242	94	Stool-Height Scape Series Table
VS10	64	Steelcase Application Server

Trademark List

® The following are registered trademarks for products of Steelcase Inc. or one of its related corporate entities: 4 o'clock, 900 Series, à la carte, Airtouch, Ally, Amia, Answer, Archipelago, Avenir, Ballet, Bix, Brayton International, Cachet, Canopy, Canto, Chancellor, Coalesse, Confidante, Context, Convene, CopyCam, Criterion, Crushed Can, Currency, dash, Designtex, Details, Detour, Drive, Elective Elements, Ellipse, Ember Chrome, Emerge, E-Table 2, FYI, Garland, Gentry, Ginkgo Biloba, Groupwork, Ideo, Jacket, Jenny, Jersey, Kart, Kick, LaCosta, Leap, Let's B, LiveBack, Max-Stacker, media:scape, Metro, Migrations, Mitra, Montage, Nurture, Oriana, Parade, Pathways, PCT, Permiso, Player, PolyVision, Portal, Power Pincher, Progeny, Protégé, R2, Rally, Relevant, Reply, Rizzi Arc, Sensor, Series 9000, Siento, Sieste, Sine, Softcare, Springboard, Steelcase, Steelcase Design Partnership, Stella, Stow Davis, Swathmore, TeamWork, Technique, Texpress, Think, Thunder, Topo, Train, Turnstone, Underline, Unison, Vecta, Viridian, Walden, Werndl, and X-Stack.

® The following registered trademarks are under license from AWI Licensing Company, Dover, DE: SoundScapes, DuraBrite, BioBlock, and Armstrong.

® The following registered trademarks are under license from Byrne Electrical, Rockford, MI: Interport, Mini-Port, Axil Z, and Ellora.

® The following is a registered trademark of DuPont, Wilmington, DE: Corian.

® The following is a registered trademark of Genlyte Thomas Company, Louisville, KY: Lightolier.

® The following is a registered trademark of Hilti Corporation, FL-9494 Schaan, Principality of Liechtenstein: Hilti.

® The following is a registered trademark of Leviton Manufacturing Company, Little Neck, NY: Decora.

® The following is a registered trademark of Mechanical Plastics Corp, Elmsford, NY: Toggler.

® The following is a registered trademark of Microsoft Corporation, Redmond, WA: Microsoft.

® The following is a registered trademark of Panduit Corporation, Lockport, IL: Panduit.

® The following is a registered trademark of Trav (Press), Cuneo, Italy: Assisa.

® The following is a registered trademark of Virtual Ink, Boston, MA: mimioActive.

® The following registered trademarks are under license from Wilkhahn Furniture Products: Avera, Senzo, Versal, and Wilkhahn FS.

® The following is a registered trademark of Wilsonart International, Temple, TX: Chemsurf.

® The following is a registered trademark of Wiremold, West Hartford, CT: Wiremold.

® The following is a registered trademark of EMU Group S.P.A., Perugia, Italy: Emu.

™ The following are trademarks for products of Steelcase Inc. or one of its related corporate entities: Access, Active/Passive Shelf, Ainsley, Akira, Alcove, Alerion, aLight, Amaris, American Elect, American Tradition, ap40, Arbor, Arriva, Asana, Ascot, Aspekt, Astor, Await, Bira, Bivi, Bottomline, Brook, Buoy, Burton, c:scape, Calla, Calm, Camber, Campfire, Capa, Cappuccino, Cesar, Chester, Chord, Circa, Clarendon, Classic Rectangular, cobi, Collaboration, Community, Company, Convey, Cortex, Coupe, Crea, Crew, Cura, Cypress, Davenport, Dearborn, Deck, Déjà, Denizen, Denska, Derby, Divisio, Donovan, Dune, Duo, e³, e³ ceramicsteel, e³ environmental ceramicsteel, Echo, Edge, Elsna, Empath, Empress, Enea, ēno, EnSync, Enviro, Escapade, Exchange, Exponents, Field, Flat Top, FlexFrame, Flip Top, Flute, Folio, FrameOne, FreeFlow, Frontier, Galilei, Gesture, Ginger, Ginkgo, Go Wall, Grip, Groove, Hatchback, Hawthorne, Hitch, Host Collection, Hosu, Huddleboard, i2i, Impact, Indy, InfoLink, IOS, I-Solve, Jack, Jarrah, Jetty, Juice, Kami, Kast, Kathryn, Lagunitas, Lark, L'Attitude, LearnLab, Leela, Lincoln, Linden, LiveSeat, Loria, Lyric, Malibu, Malibu Too, Mansfield, Marathon, Martini, Mason, Masque, Millbrae, Mineral, Mingle, Mystic, Mystic Metal, Mystic Wood, Montreal, Move, Nadia, Neighbor, nesso, Nickel, Nikko, Nod, Node, Norfolk, Ontrak, Oom, Opus, Orchid, Outlook Collection, Ovation, Paloma, Paperflo, Parliament, Pasio, Passerelle, Patriarch, Payback, Peek, Pile File, Pisa, Pool, PUCK, QiVi, Quba, Rave, Reed, Regard, Relay, Reunion, Ripple, Riser, Rocco, Rocky, RoomWizard, Runner, Satellite, Sawyer, ScapeSeries, Senti, Sentinel, Senza, Sequoia, Session, ShareLink, Shield, Shortcut, Sidewalk, Skylar, Slumber, Smoke, Snug, Soft Leaf, Sonata, Sorrel, SOTO, Stationkits, Stiletto, Surprise!, Switch, Symphony, Sync, TagWizard, Tava, TeamStudio, TeamTheater, Tenaro, Terrazzo, Theorem, Thread, Topaz, Touchdown, Tour, Tower Too, Trees, Trillium, Trolley, tX2, U-Free, Uno, V.I.A., Verb, Verge, Victor2, Visalia, Waldorf, Woodruff, Workspring, and X-tenz.

™ The following is a trademark of Microsoft Corporation, Redmond, WA: Windows.

™ The following is a trademark of Rodman Industries, Inc., Oconomowoc, WI: ResinCore1.

™ The following is a trademark of Ultrafabrics, LLC, Elmsford, NY: Ultraleather.

™ The following trademarks are under license from Wilkhahn Furniture products: Cana, Linus, Logon, Picto, Range, Stitz, Thema, Timetable, and Tubis.

™ The following is a trademark of MBDC, Charlottesville, VA: Cradle to Cradle and C2C.

™ The following trademarks are under license from Walter Knoll: Andoo, Bob, Lazlo, Lox, Ribbon, and Together.

™ The following trademarks are under license from PP Möbler: Bar and Flag Halyard.

™ The following trademarks are under license from Viccarbe: Davos, Holy Day, Last Minute, RS, and Wrapp.

™ The following trademarks are under license from Carl Hansen: Elbow, Paddle, Shell, Wing, and Wishbone.

™ The following trademarks are under license from Cambridge Sound Management, LLC, Cambridge, MA: QtPro Soundmasking, Qt Quiet Technology, and Sonet Qt.

™ The following is a trademark of Electri-Cable Assemblies, Shelton, CT: Interact.

Trademarks used here in are the property of Steelcase, Inc. or of their respective owners.