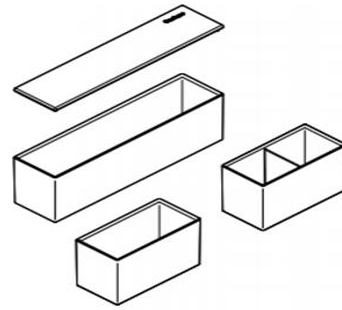


SOTO™ Storage Box Set of 3

**Style Number:**

DSSB

Features:

Fits on SOTO 3" Shelf (DSS363), 6" Shelf (DSS246), or fits into SOTO Personal Box (DSPB)
--

Permanent divider in one box keeps items apart
--

Long rectangular box includes a lid

Technical Specifications:

Color:	Semi-opaque boxes with white cover
Construction:	Acrylic plastic
Weight of set:	0.8 lbs.
Dimensions:	
Long Rectangular Box:	W4-1/4" x H2-3/8" x D2-1/8"
Rectangular Boxes:	W4-1/4" x H2-3/8" x D2-1/8"
Application:	Freestanding
Warranty:	10 years

Steelcase

For further information, please go to the Steelcase website, steelcase.com
or call 888.783.3522

2015 Steelcase Inc. All rights reserved. 6/15