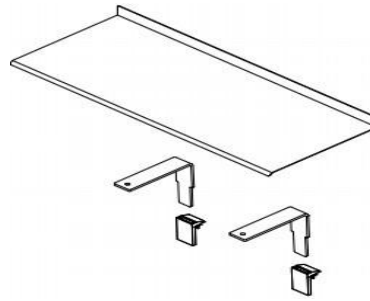


SOTO™ Shelves



Style Numbers:

DSS2410	24"W x 10"D shelf
DSS246	24"W x 6"D shelf
DSS363	36"W x 3"D shelf

Features:

Supports many configurations of SOTO boxes
3"D shelf accommodates Tool Box (DSTB) and Utility Box (DSUB)
6"D shelf accommodates Storage Box Set of Three (DSSB)
10"D shelf accommodates Pile Box (DSSPB), Diagonal File Box (DSDFB) and Personal Box (DSPB), as well as stacked Pile and Personal Boxes
SOTO rail mounting/c:scape rail mounting hardware included
Shelves are able to accommodate boxes on top or underneath
Can be mounted underneath a SOTO Display Shelf with 8" high stanchions (DDS248)
All SOTO shelves allow for 2-7/8" between worksurface and bottom of shelf

Technical Specifications:

Shelf Color:	See color chart below
Stanchion/Bracket Color:	See color chart below
Construction:	
Shelf	16 ga sheetmetal
Stanchions:	7 ga. Sheetmetal
Brackets:	die cast zinc alloy
Application:	Attaches to SOTO Rail and c:scape rail architecture
Maximum Weight Load:	
3" Shelf holds 22 lbs. of material per shelf	
6" Shelf holds 30 lbs. of material per shelf	
10" Shelf holds 40 lbs. of material per shelf	
Warranty:	10 years

Shelf Color	Stanchion Color	Molded Plastic Color
Platinum 4799	Platinum 4799	Felt 6278
Arctic White 4231	Platinum 4799	Felt 6278
Cotton Candy 4AZ0	Platinum 4799	Felt 6278
Light Peacock 4CZ8	Merle 7360	Merle 6527
Chili 4AY2	Merle 7360	Merle 6527
Baltic 4AV4	Merle 7360	Merle 6527

Steelcase

For further information, please go to the Steelcase website, steelcase.com
or call 888.783.3522