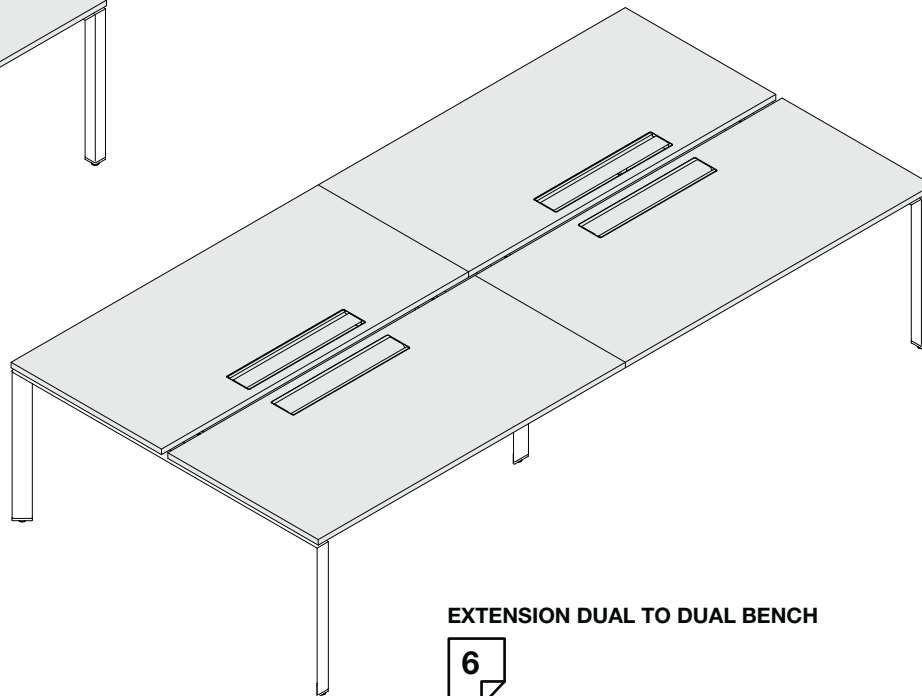







BASIC DUAL BENCH

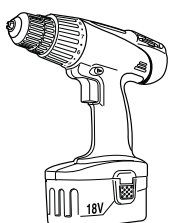
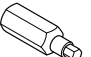
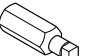
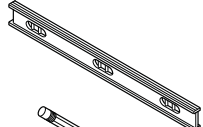


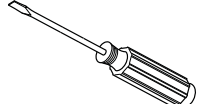
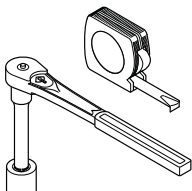
2

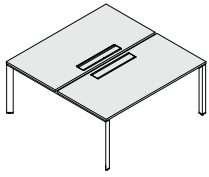


EXTENSION DUAL TO DUAL BENCH

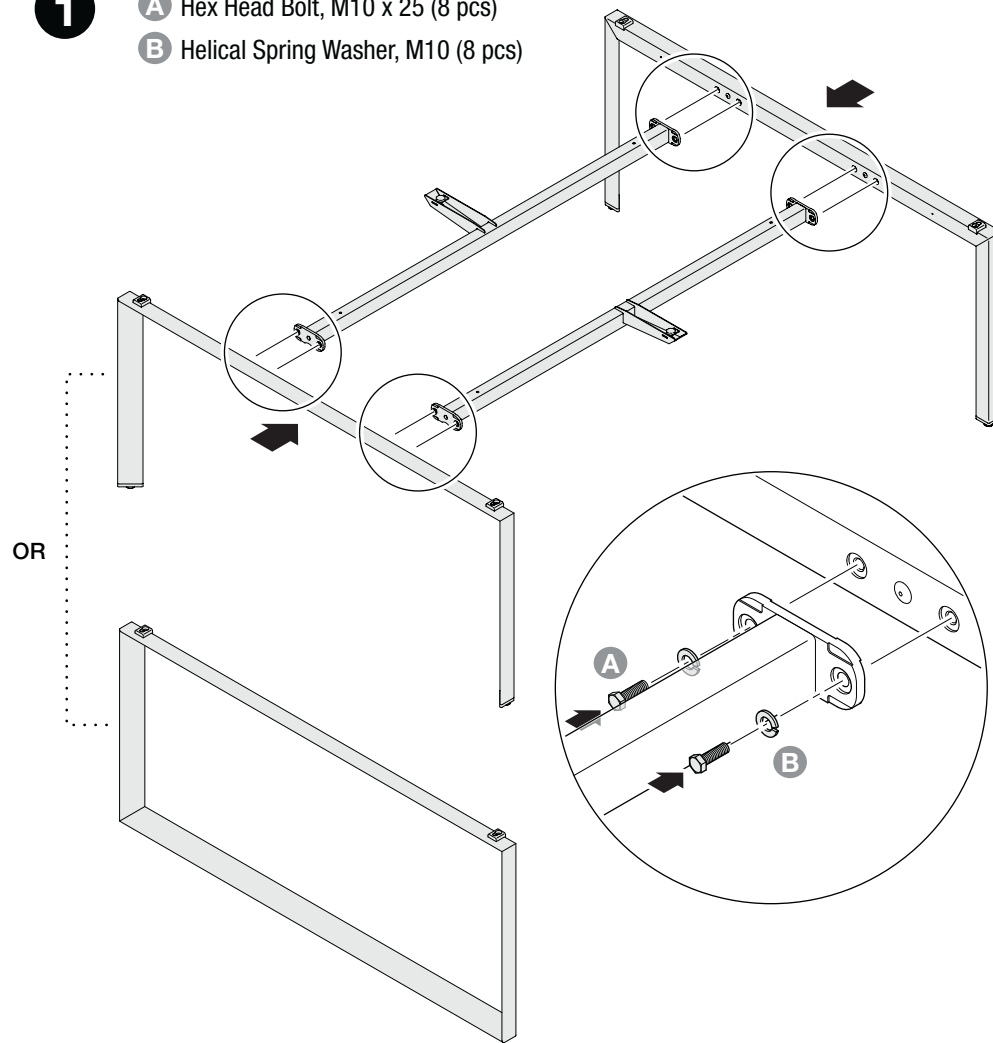
6

-  Hex Head Bolt, M10 x 25
-  Helical Spring Washer
-  Machine Screw, Truss Head, M6 x 16
-  Tapping Screw, 8-18 x 9 JIS
-  Tapping Screw, Pan Head, #8 x 0.75

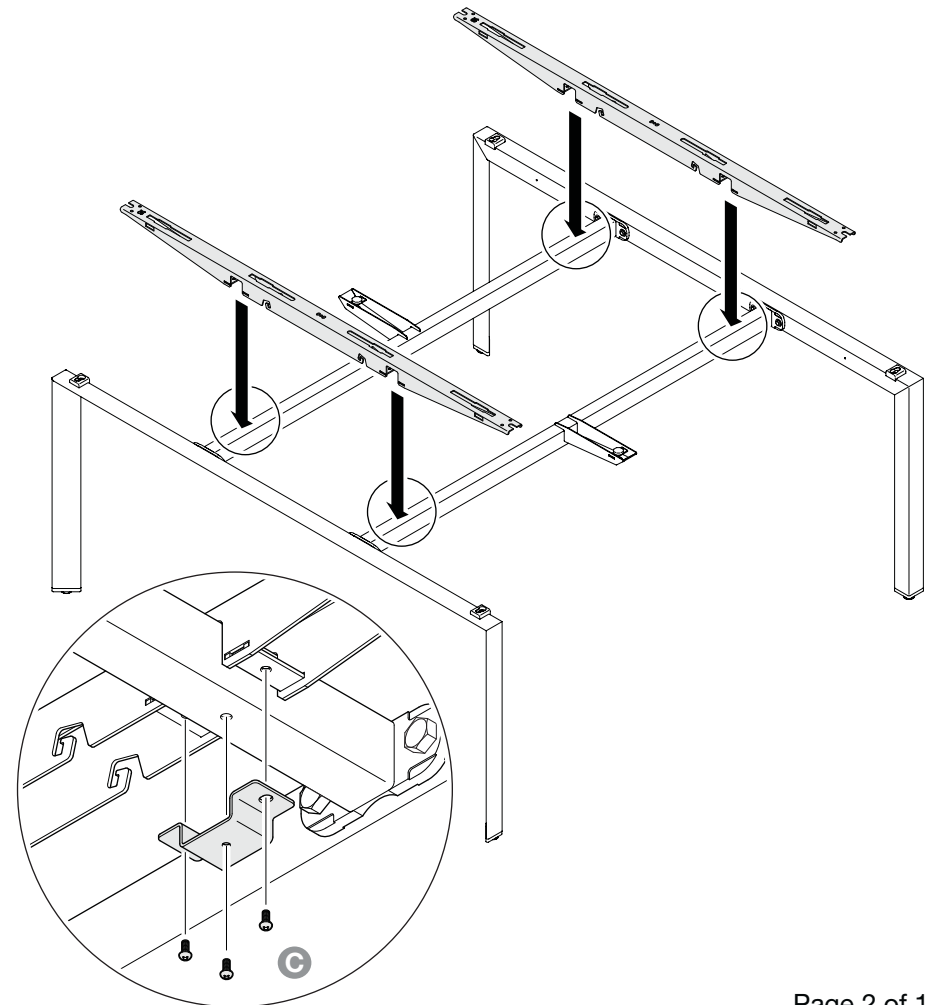
-  18V
-  (5mm)
HEX DRIVE
-  SQUARE DRIVE
- 
- 
-  1/8" Dia.
- 
-  17mm Socket



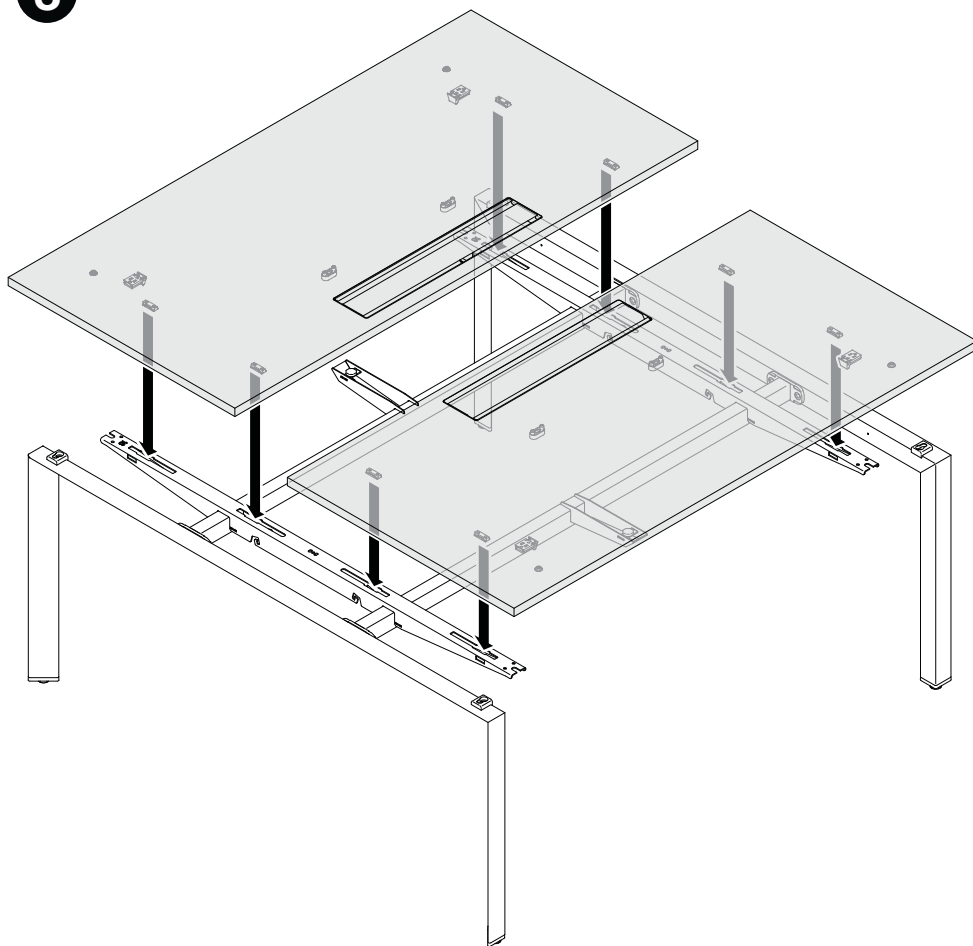
- 1**
- A** Hex Head Bolt, M10 x 25 (8 pcs)
 - B** Helical Spring Washer, M10 (8 pcs)



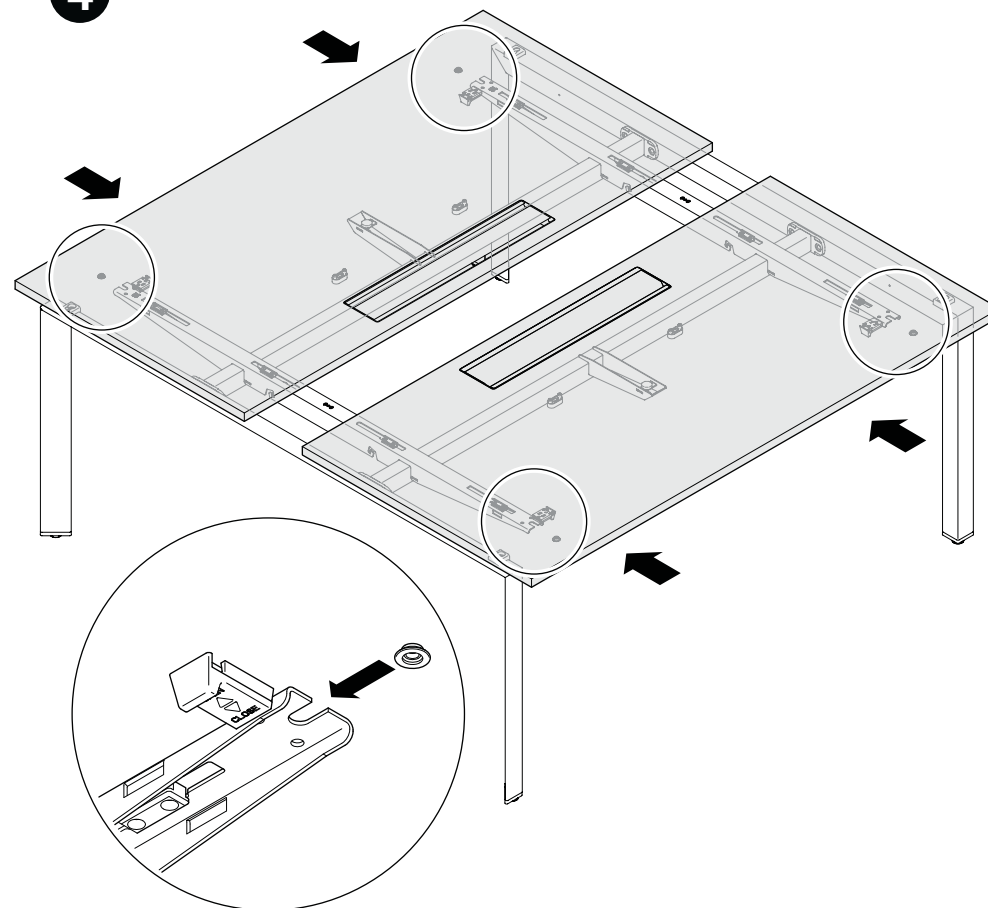
- 2**
- C** Machine Screw, Truss Head, M6 x 16 (12 pcs)



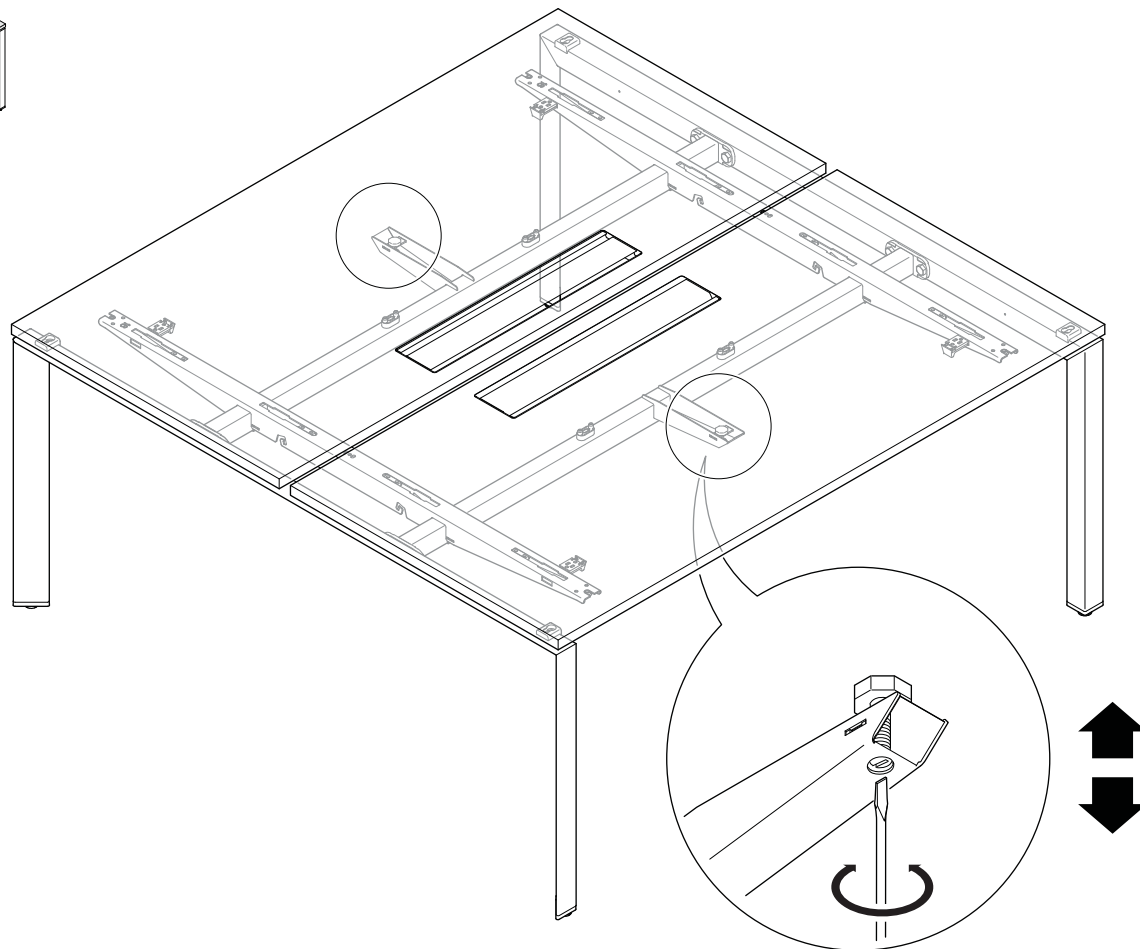
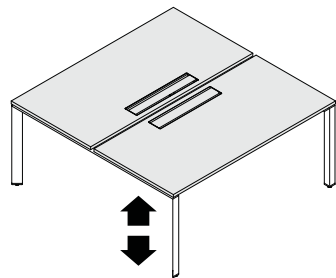
3



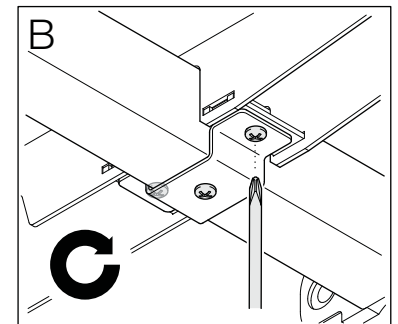
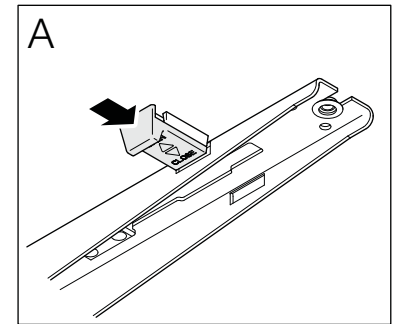
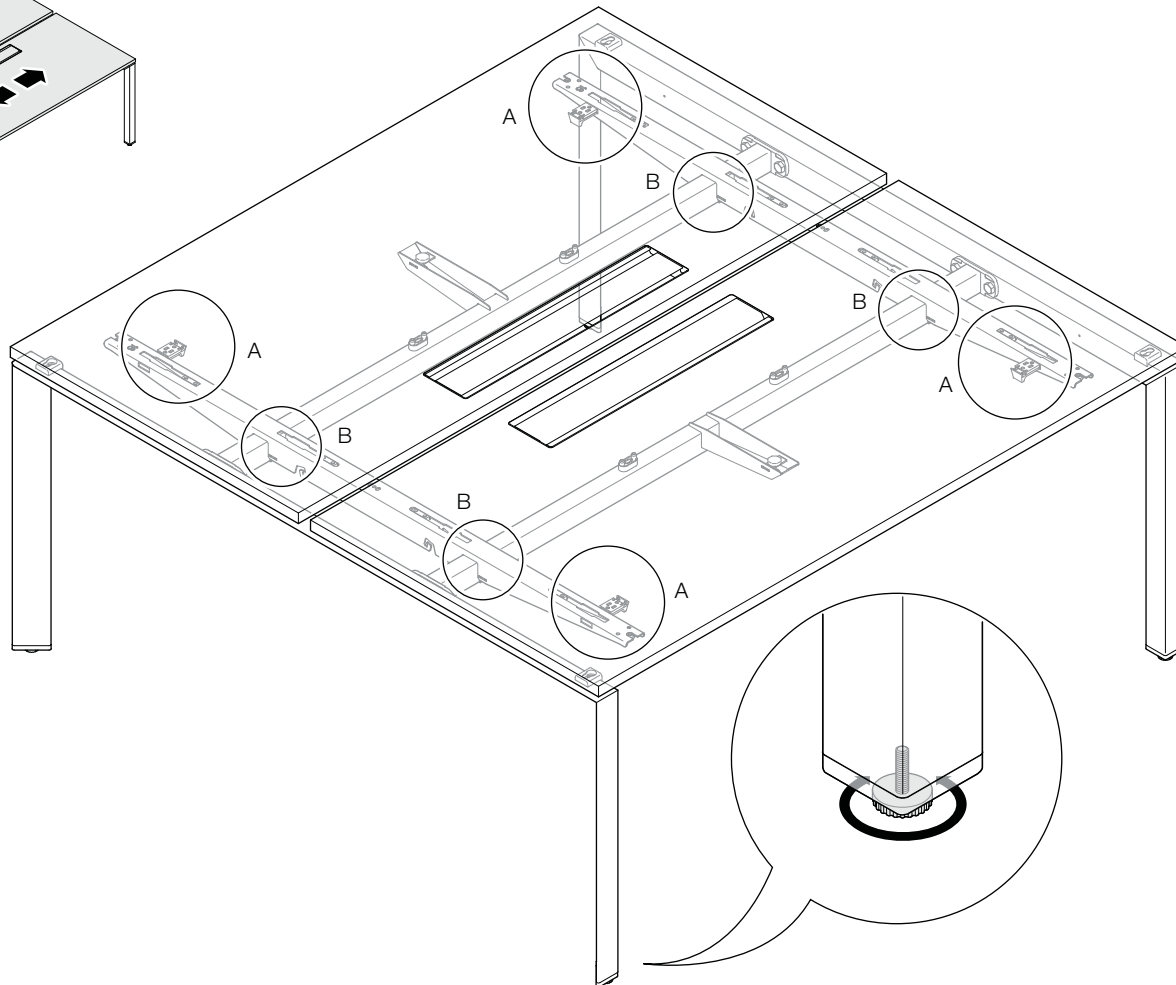
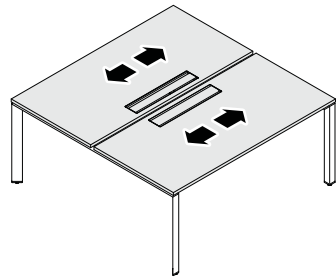
4

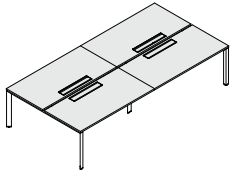


5

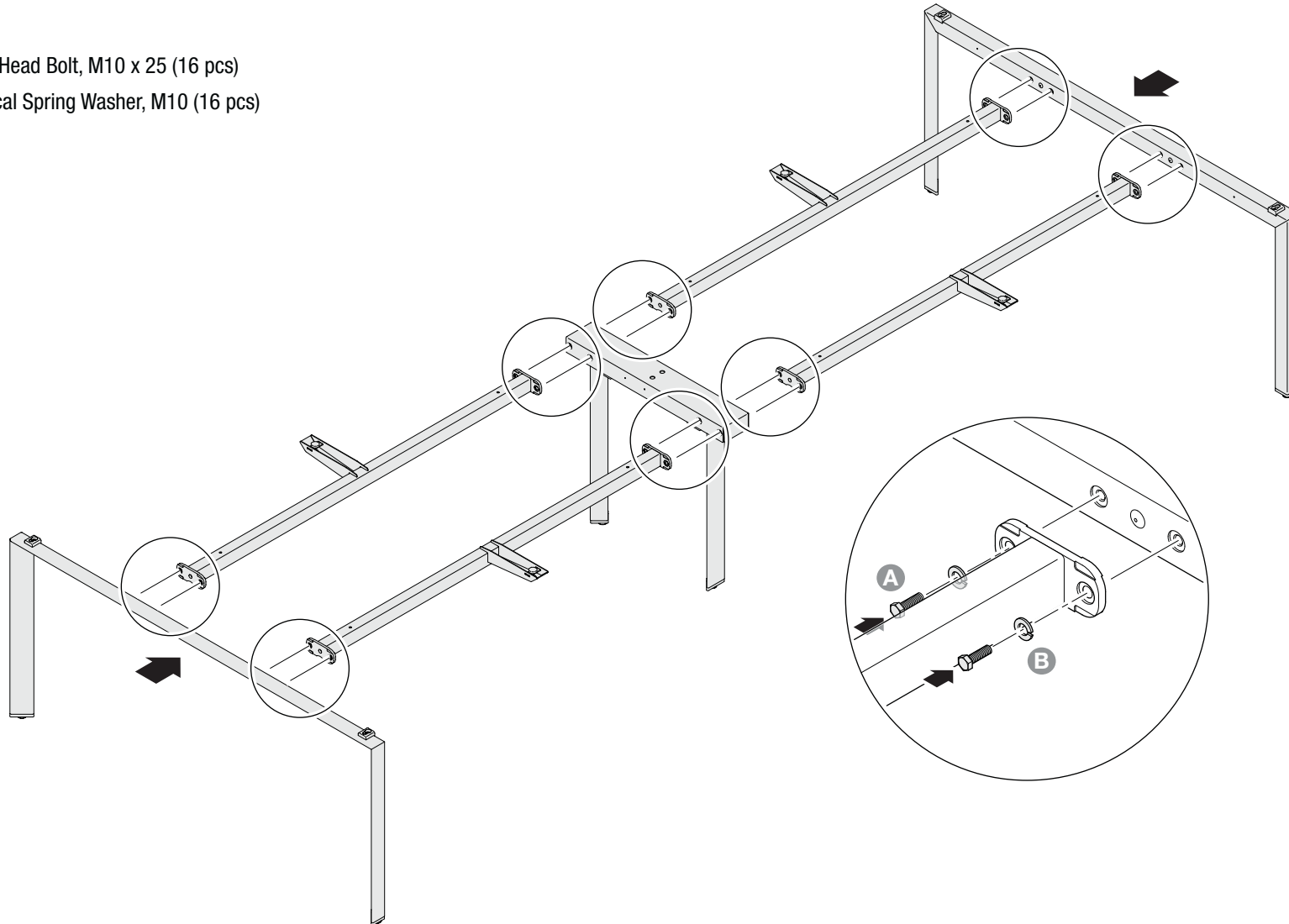


6

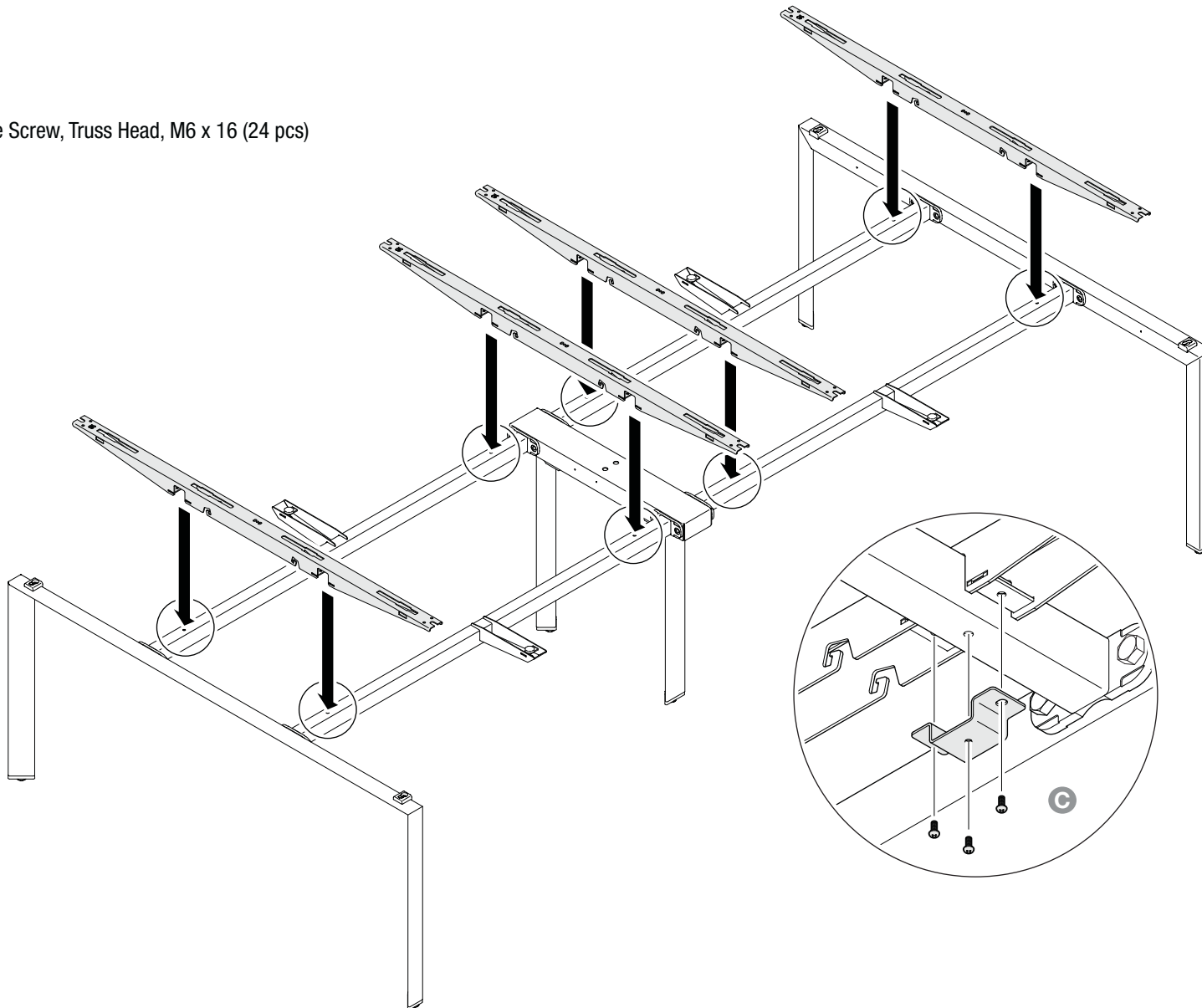




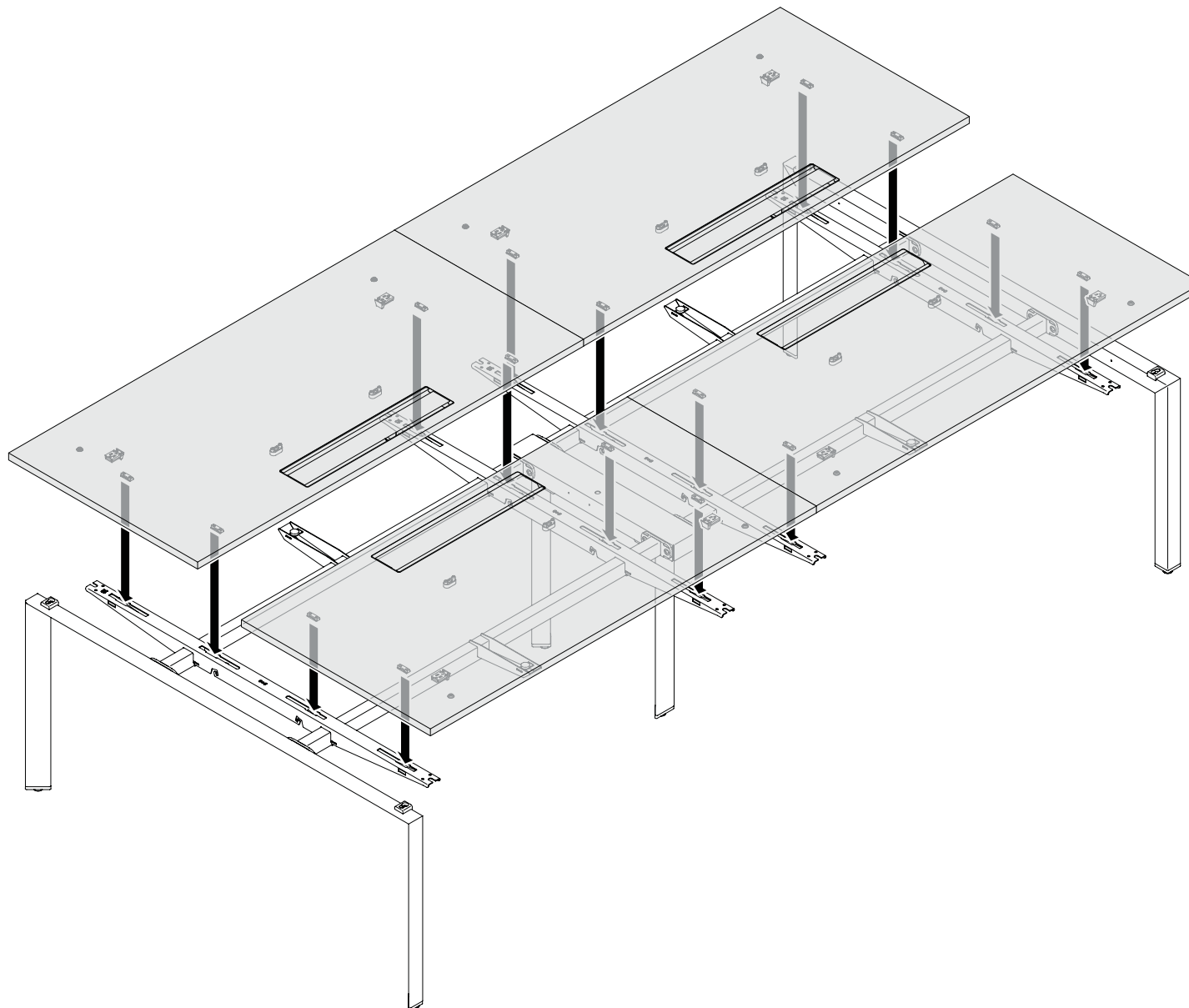
- 1** **A** Hex Head Bolt, M10 x 25 (16 pcs)
- B** Helical Spring Washer, M10 (16 pcs)



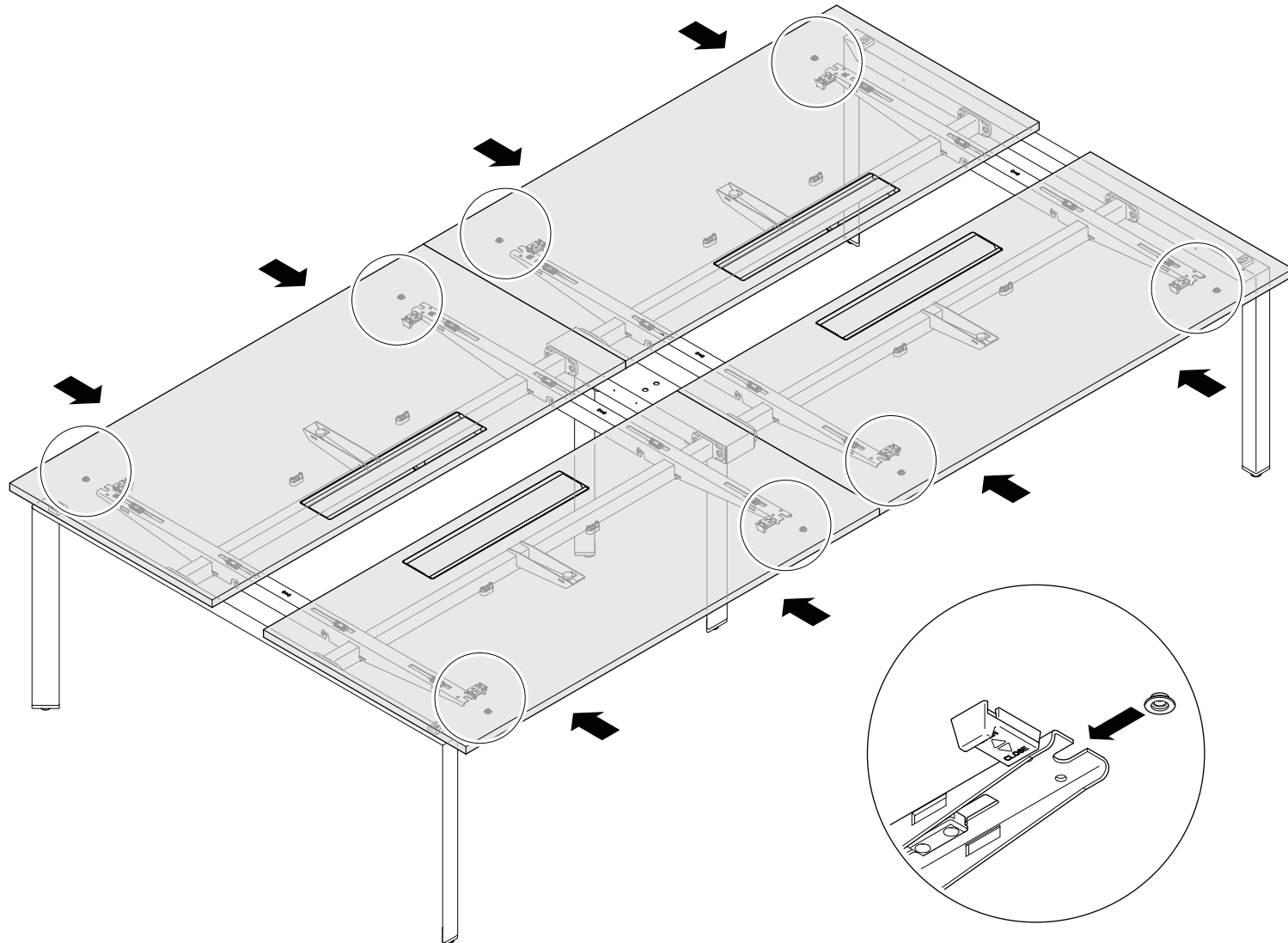
- 2** **C** Machine Screw, Truss Head, M6 x 16 (24 pcs)



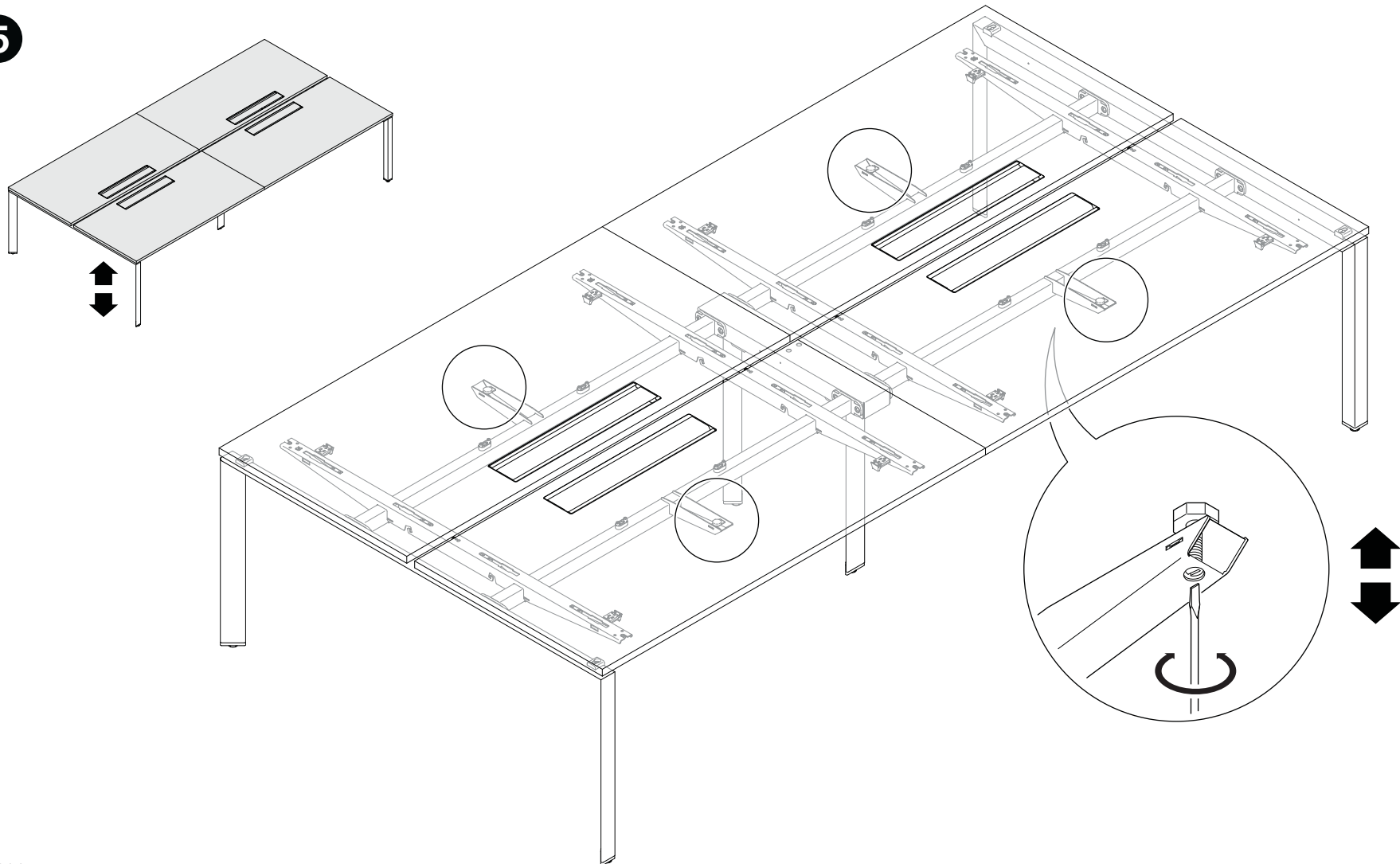
3



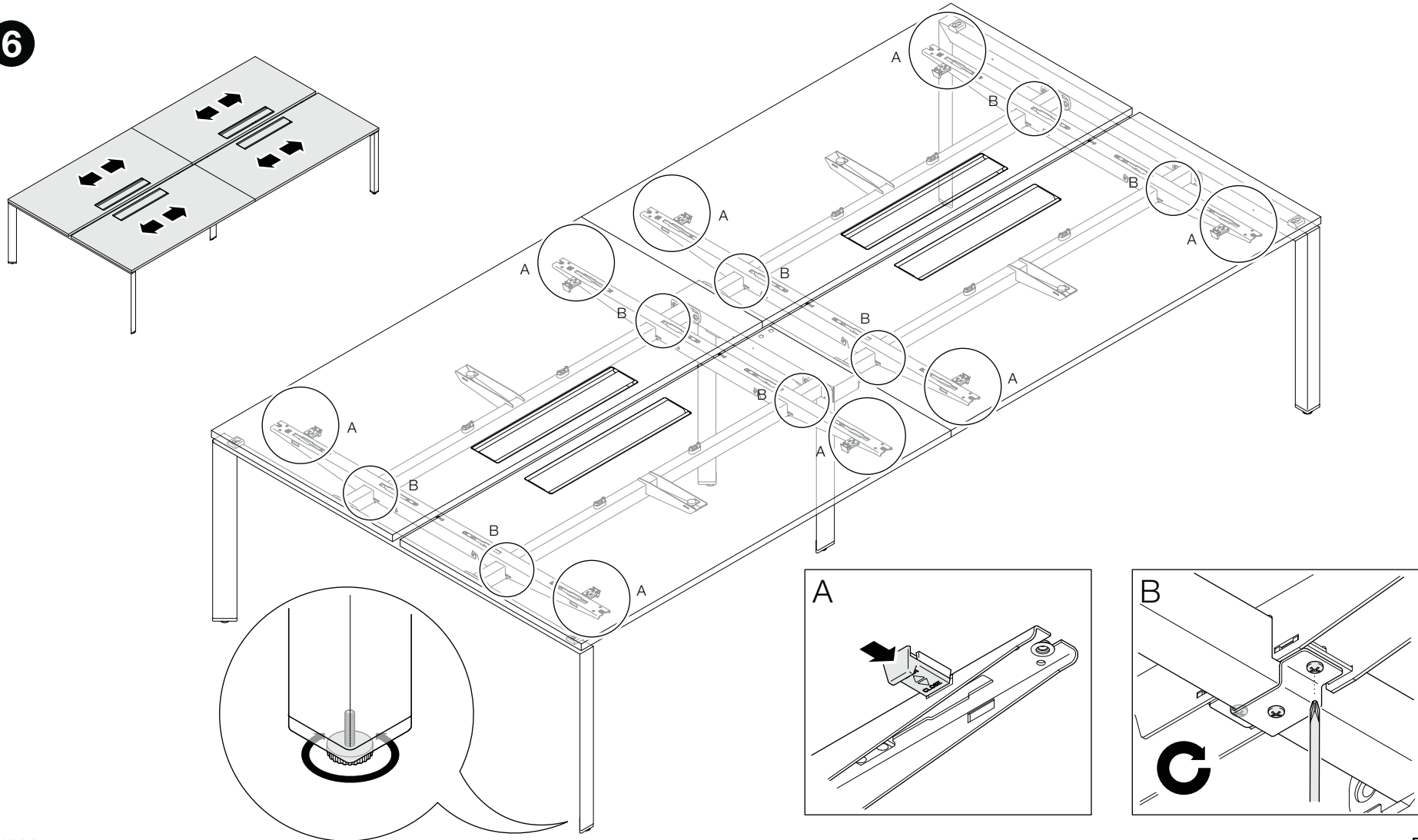
4



5

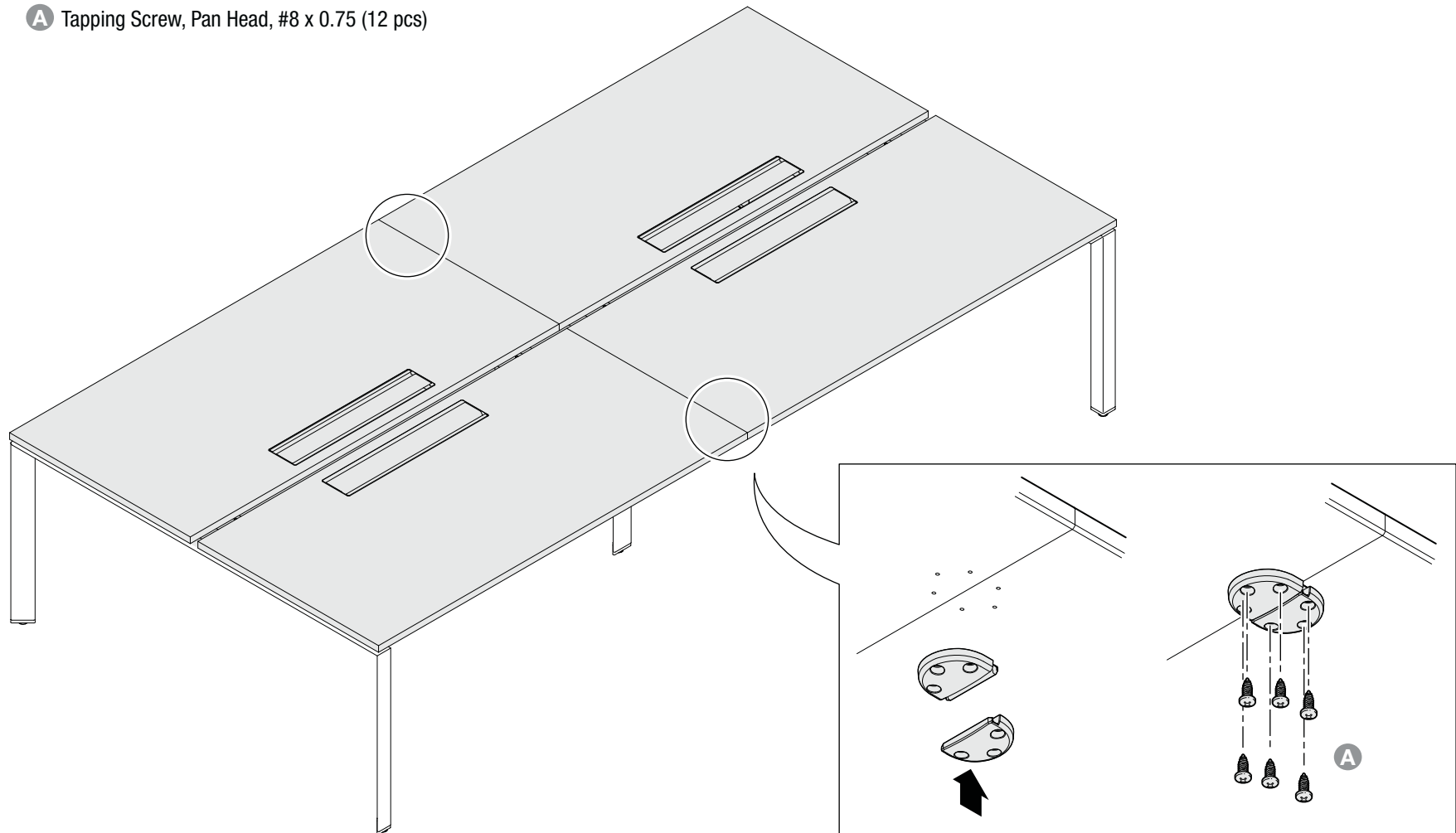


6



7

A Tapping Screw, Pan Head, #8 x 0.75 (12 pcs)



8

- A Machine Screw, Truss Head, M6 x 16 (4 pcs)
- B Machine Tapping Screw, 8-18 x 9 JIS (4 pcs)

