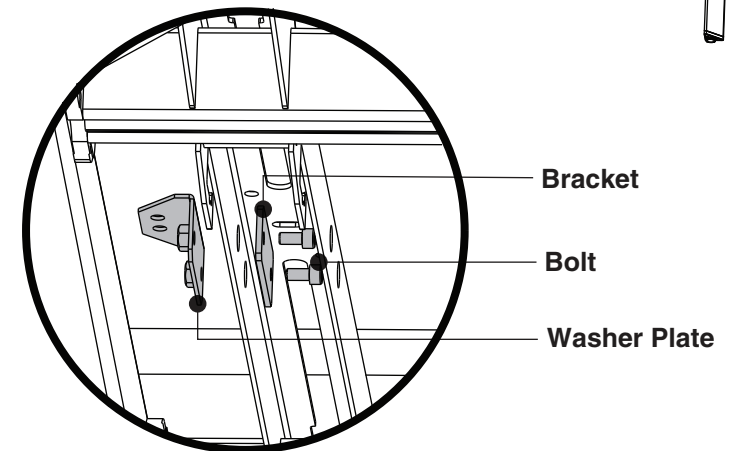
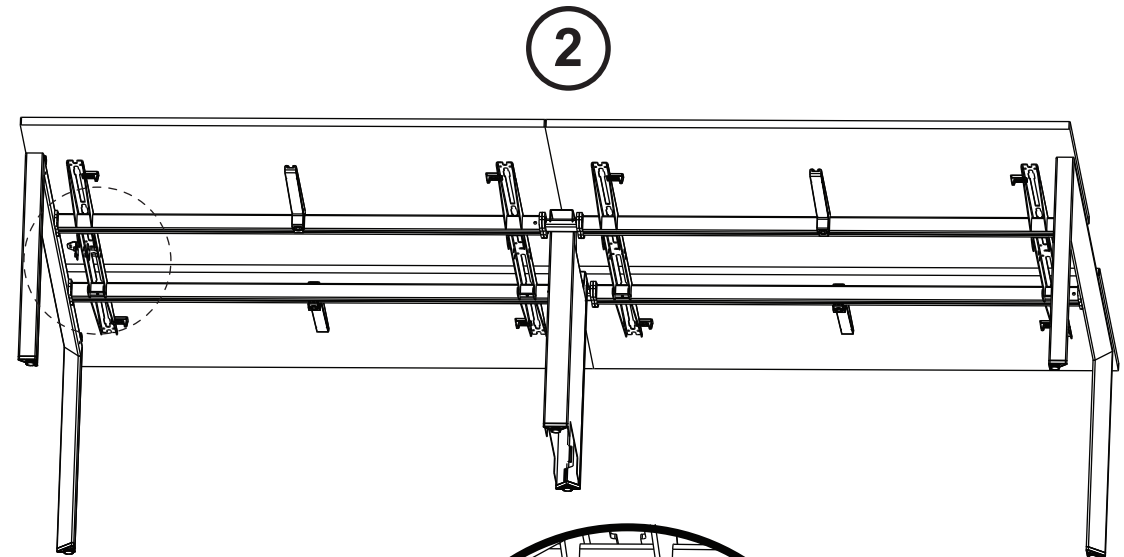
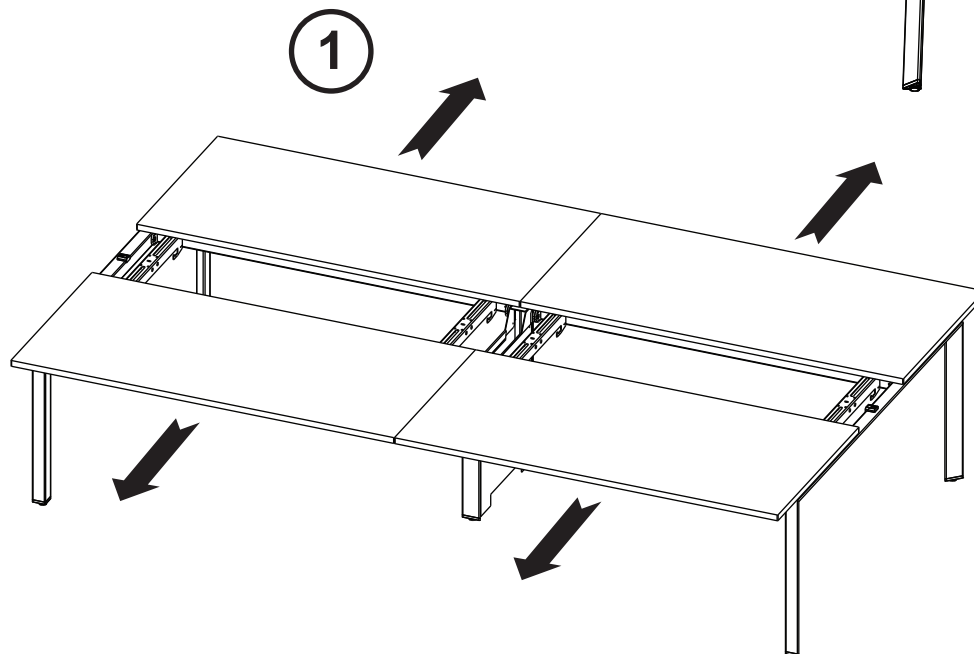


FE-3 Screen Bracket + Bench

1. Slides out all the desktops and open up space in the middle of the Bench for Screen Bracket installation.
2. Install Bracket and Washer Plate to Bench connector by M6 Bolts.

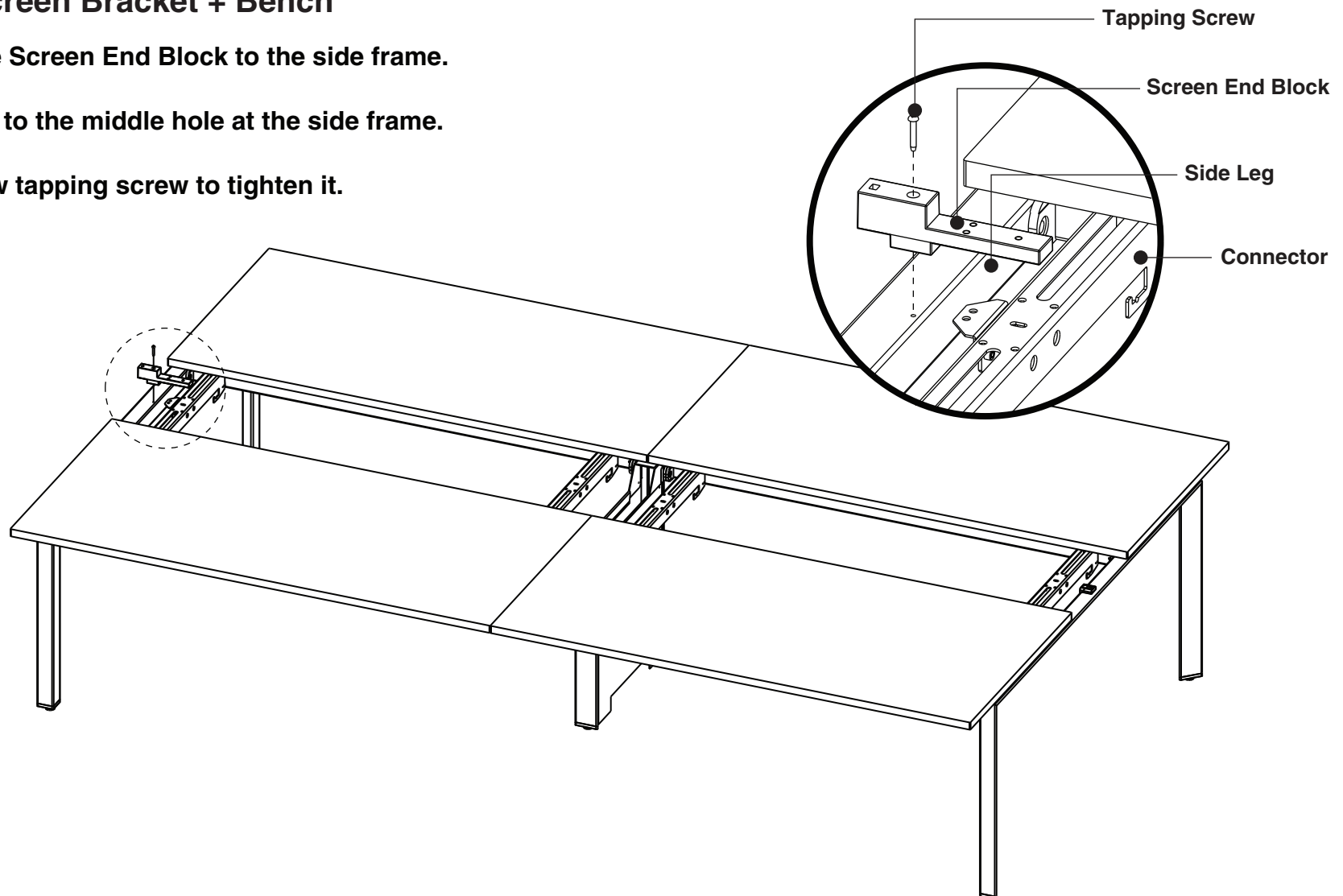


FE-3 Screen Bracket + Bench

3A. Place Screen End Block to the side frame.

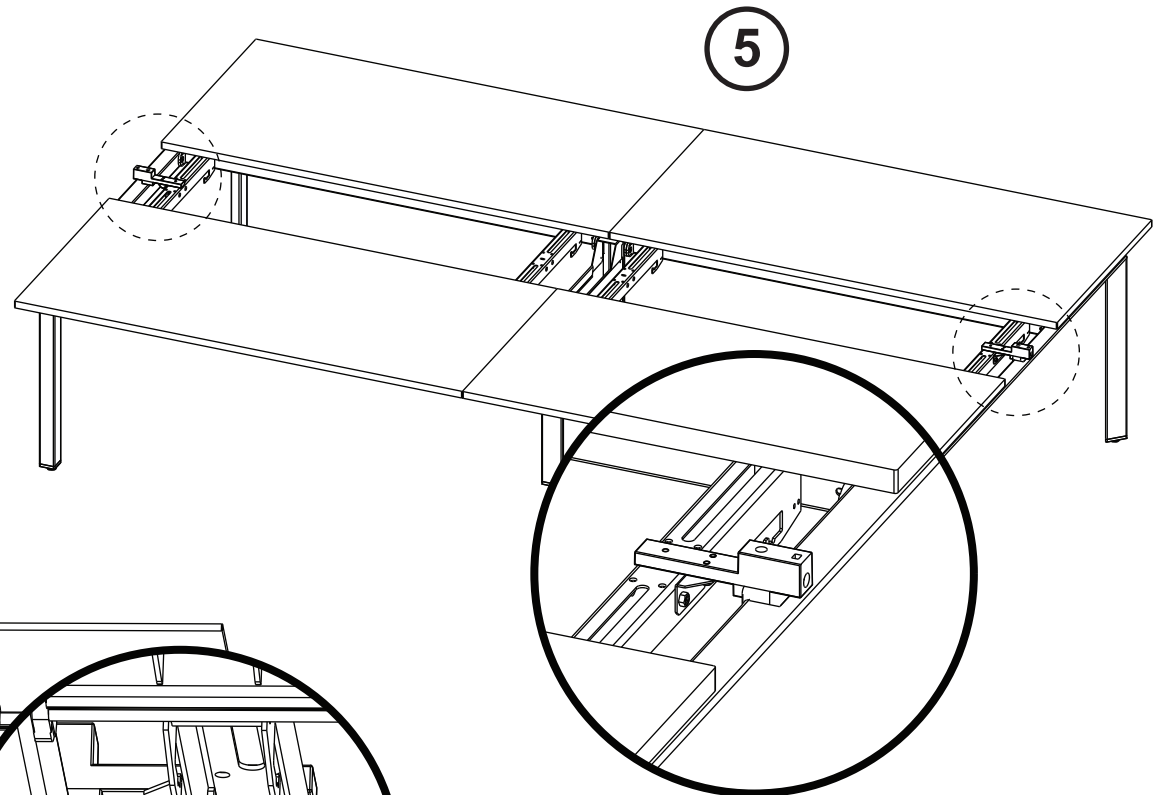
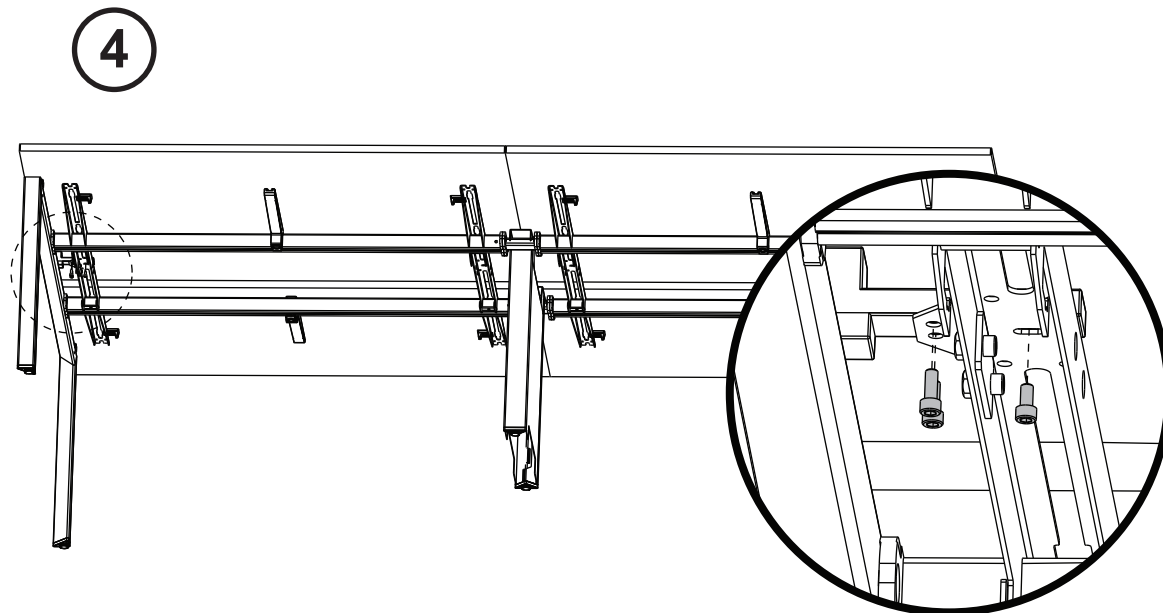
3B. Align to the middle hole at the side frame.

3C. Screw tapping screw to tighten it.



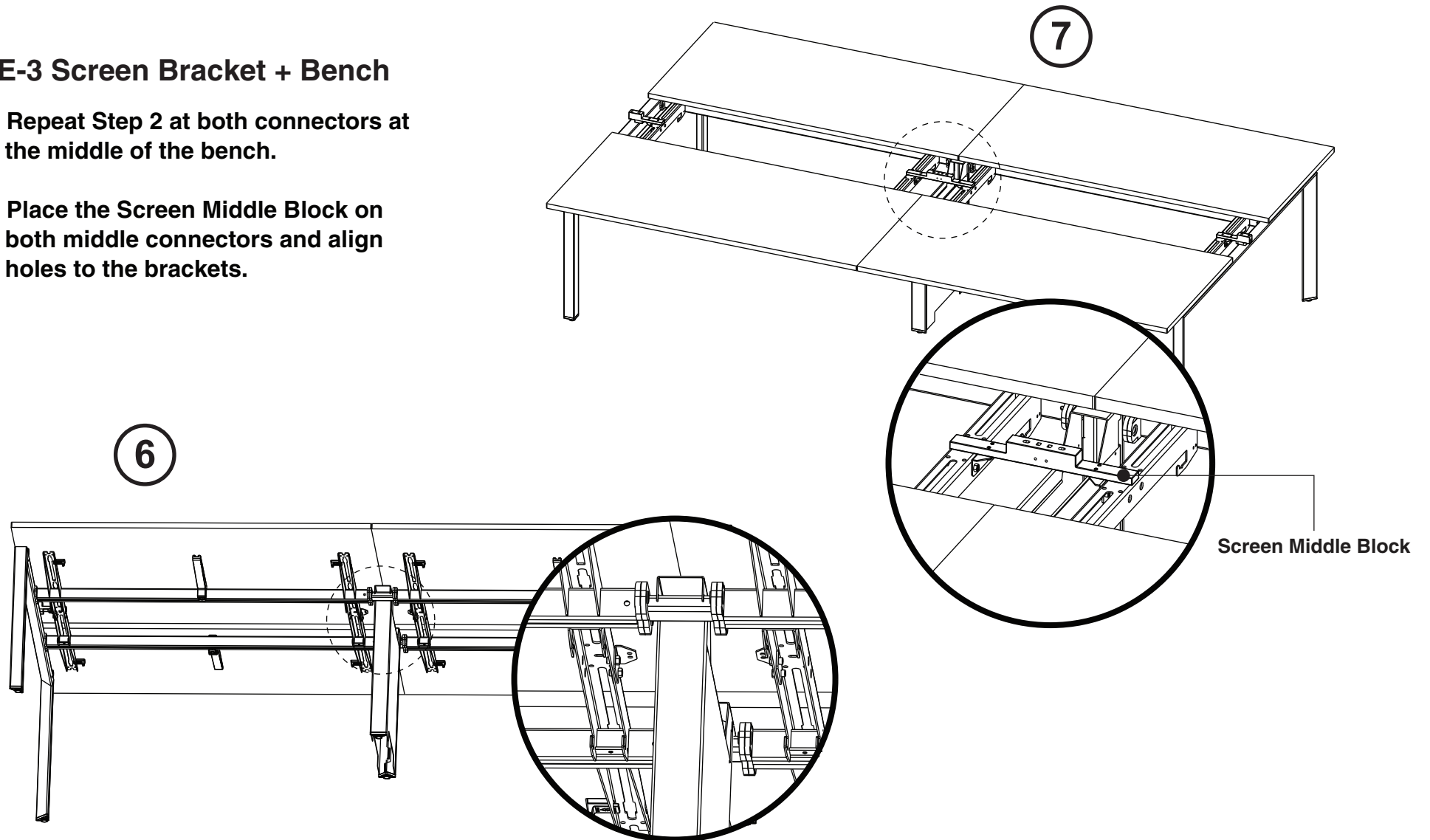
FE-3 Screen Bracket + Bench

- 4. **Secure the Screen End Block to the connector from the bottom by using M6 bolts.**
- 5. **Repeat Step 2 to 4 for the other Screen End Block at another end of the Bench.**



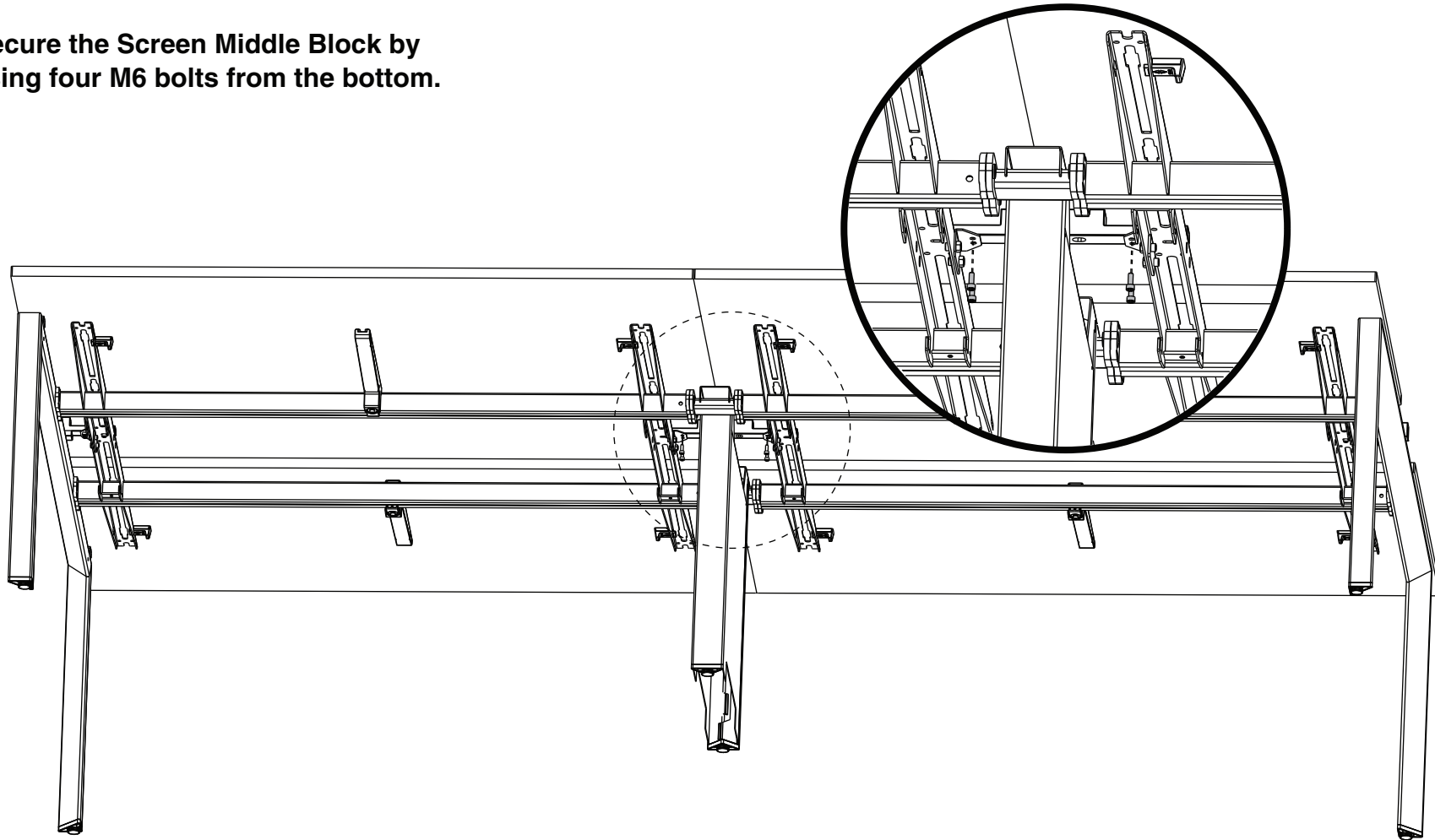
FE-3 Screen Bracket + Bench

- 6. Repeat Step 2 at both connectors at the middle of the bench.
- 7. Place the Screen Middle Block on both middle connectors and align holes to the brackets.



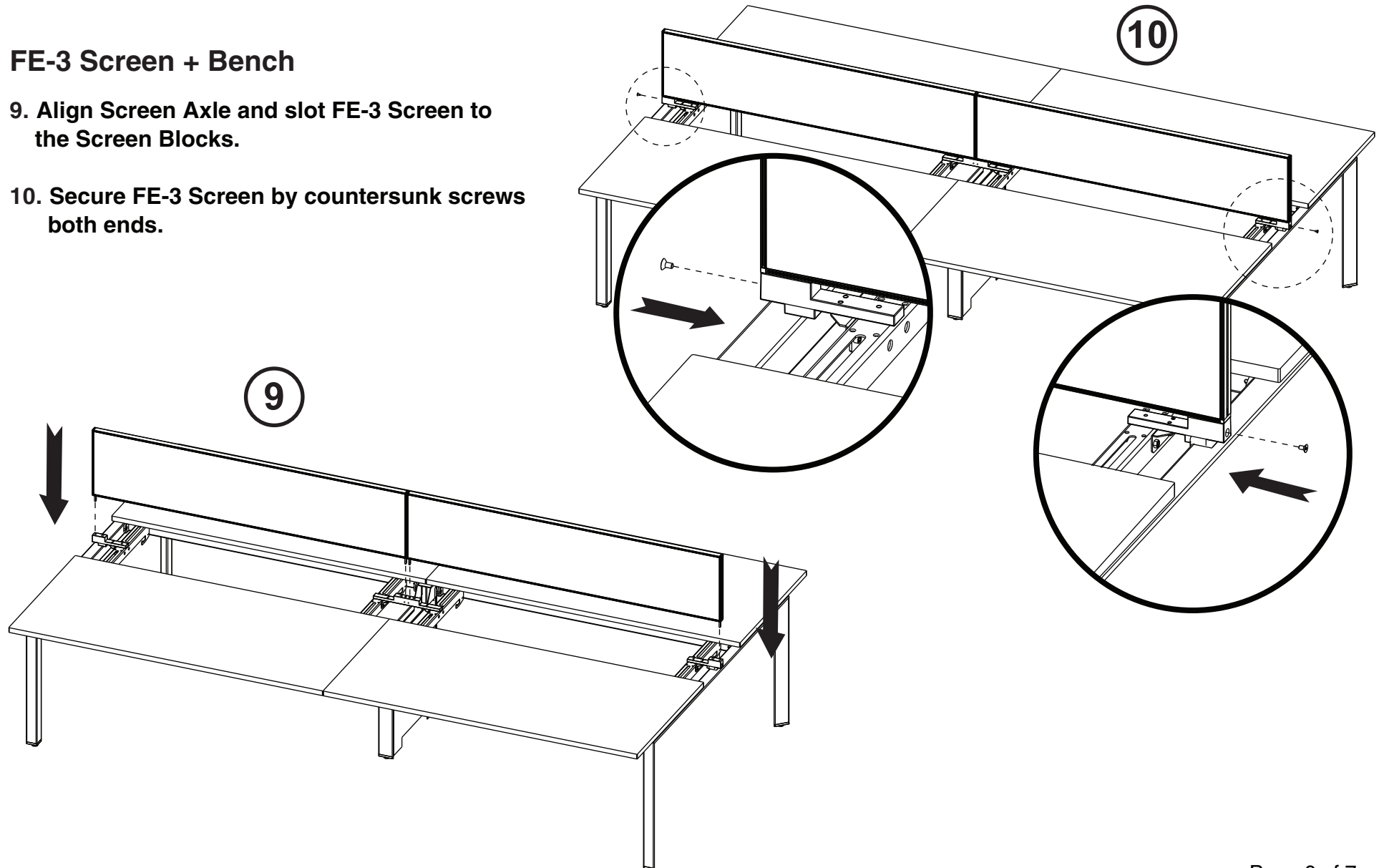
FE-3 Screen Bracket + Bench

- 8. Secure the Screen Middle Block by using four M6 bolts from the bottom.**



FE-3 Screen + Bench

- 9. Align Screen Axle and slot FE-3 Screen to the Screen Blocks.
- 10. Secure FE-3 Screen by countersunk screws both ends.



FE-3 Screen + Bench

- 11. Secure FE-3 Screen to Middle Screen Block by M6 bolts.**
- 12. Slide back all the desktops and lock them.**

