



# Silhouette® Sit+Stand

## Small Rectangular Student Desk

MODEL#: SMSLT01630



### OVERVIEW

With Sit + Stand, students have the flexibility to choose their preferred position: sitting or standing. Styled to match the current line of Silhouette tables and desk, this mobile desk comes with lockable casters and angled legs to allow feet placement underneath desk.

### MATERIALS

The 25mm thick WORK SURFACE consists of a particle board core with high pressure laminated or low pressure laminated surface. The edge of the tabletop features your choice of a t-mold edge or 2mm flat edgeband.

The BASE is constructed of cold rolled steel and the COLUMN is a combination of steel, aluminum, and plastic.

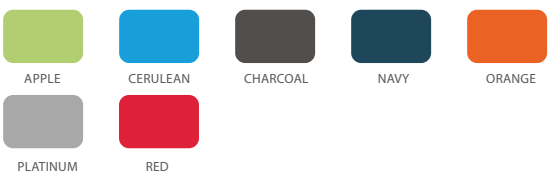
### LOW PRESSURE LAMINATE



### HIGH PRESSURE LAMINATE



### STANDARD EDGE COLORS

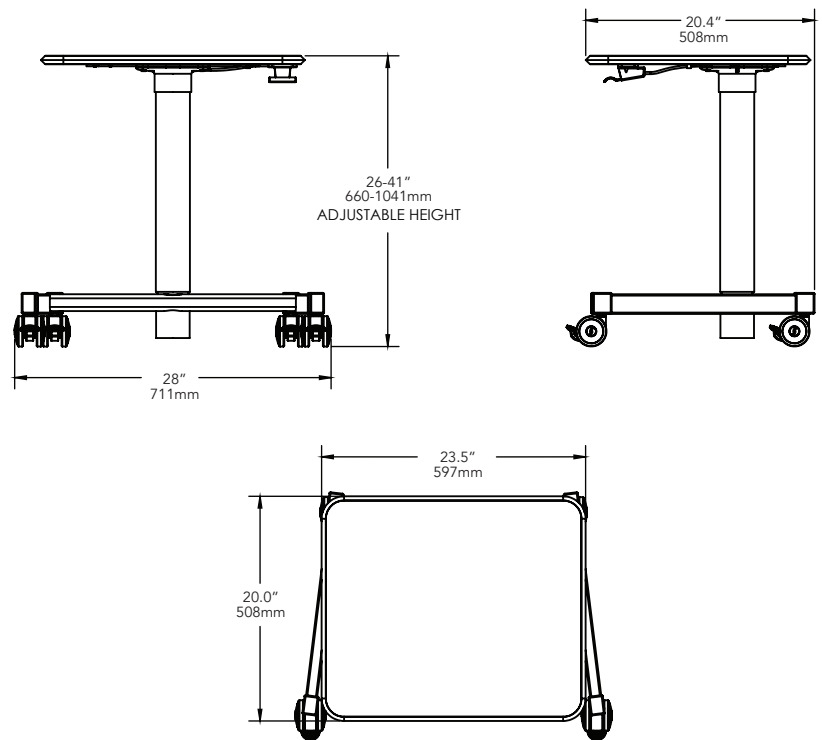


### FRAME COLOR

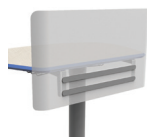


### DIMENSIONS

Model	Description		D	W	H
SMSLT01630	Silhouette® Sit+Stand Desk	inch	20.4	28	26-41
		mm	508	711	660-1041



### OPTIONAL ACCESSORIES



Modesty Panel



Technology Basket, low profile storage