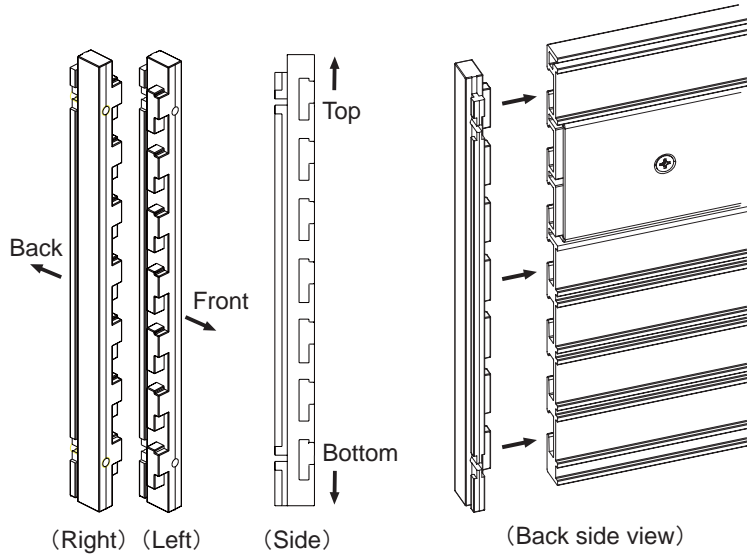
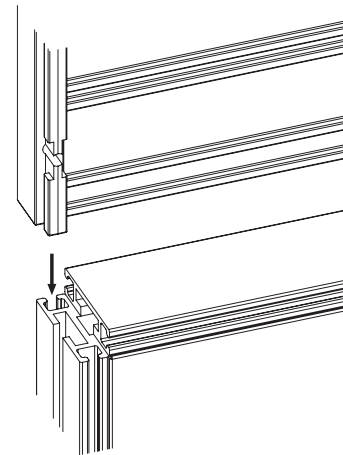


# FE-3 Hanging slat-wall

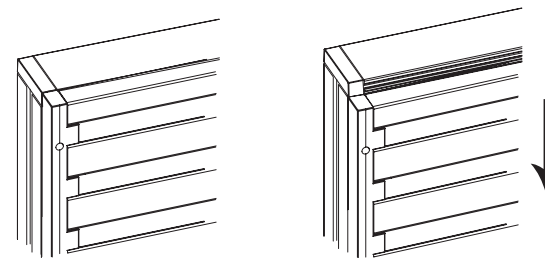
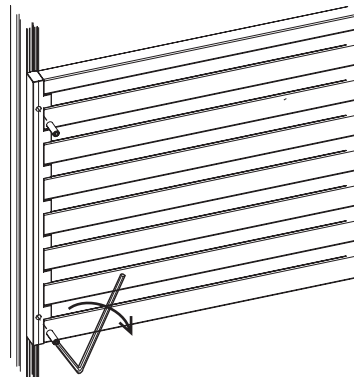
① Insert right and left brackets to slatwall side profile.



② Remove the corner cap and Insert brackets to vertical slit.

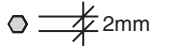
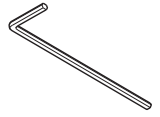


③ Fix the slat-wall brackets to vertical slit with two slotted set screws.



Slat-wall can be attached to top of panel and screen.  
If slat-wall is top of panel, you cannot use any accessories which use vertical slit.  
If you want specify such kind of accessories and slat-wall combination, the slat-wall should be little lower than top.

## Required Tools



Allen Key