

Topo is a furniture system with the flexibility to fit how and where you work – for the open plan and private office. Unlike panel-based systems or casegoods with complicated rule sets and

countless components – Topo's pioneering system flexes-to-fit workspaces and individual work modes. Topo elements flex-to-fit through patent-pending adjustable

components. One small kit of parts simplifies specification, installation, reconfiguration, and inventory management.

freestanding pedestals

24" high freestanding pedestals support desktops and are available in 20", 38", and 56" widths with combinations of open storage, box and file drawers, and pull-out surfaces.

desk loops

Desk loops provide structural support for height-adjustable worksurfaces, distribute power, voice and data to the primary worksurface, and support flex-fit walls in open plan applications. Desktop utilities are mounted to the desk loop directly below, and partially concealed by the sill.

desktops

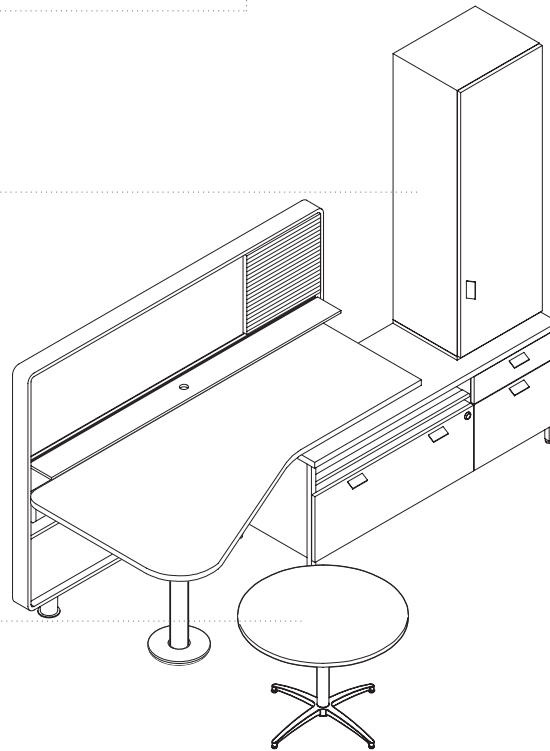
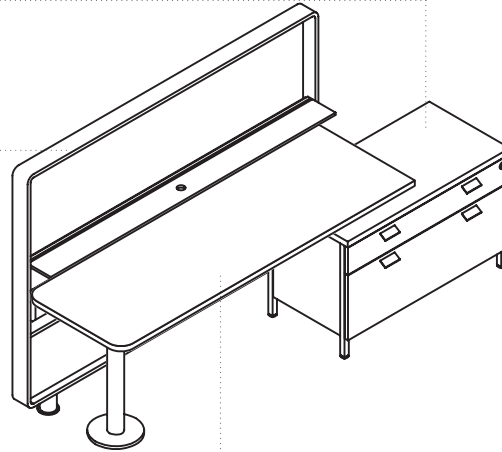
Topo desktops are offered in a variety of shapes appropriate to both open plan and private office applications. Supported by both a desk loop and a freestanding pedestal, desktops may be installed with adjustability from 27" – 30" above the finished floor. Additionally, desktops adjust laterally within an 18" range so that they may be in line with or extended beyond its accompanying desk loop.

pedestal towers

Pedestal towers provide various combinations of open and closed storage, box and file drawers, and pull-out surfaces below. 56" wide pedestal towers also support desktops.

tables

Topo freestanding tables are available round or square at 18" height and round, square or rectangular at 27" height. 27" tables high will fit underneath desktops to provide an extended worksurface.



flex-fit walls

flex-fit walls are designed to provide expandable space division and support for overhead towers and the power and communications system.

return walls

return walls provide space division in open plan applications and are available with a roller screen to provide control over the degree of privacy or collaboration with others. return walls also provide tackable surfaces and the option for Slatwall tiles.

credenzas / tall credenzas

32" high credenzas and 40" high tall credenzas are available in 38" or 56" widths. all sizes offer a variety of storage configurations including file and lateral file drawers and pull-out surfaces.

lounge

Topo lounge and lounge jr. provide fully upholstered seating on a swivel base.

overhead towers

overhead towers are available 34" high with one adjustable shelf and 46" high with two adjustable shelves. both heights are available open or with a tambour door and all versions feature additional fixed open storage shelves accessible from the side.

connector posts

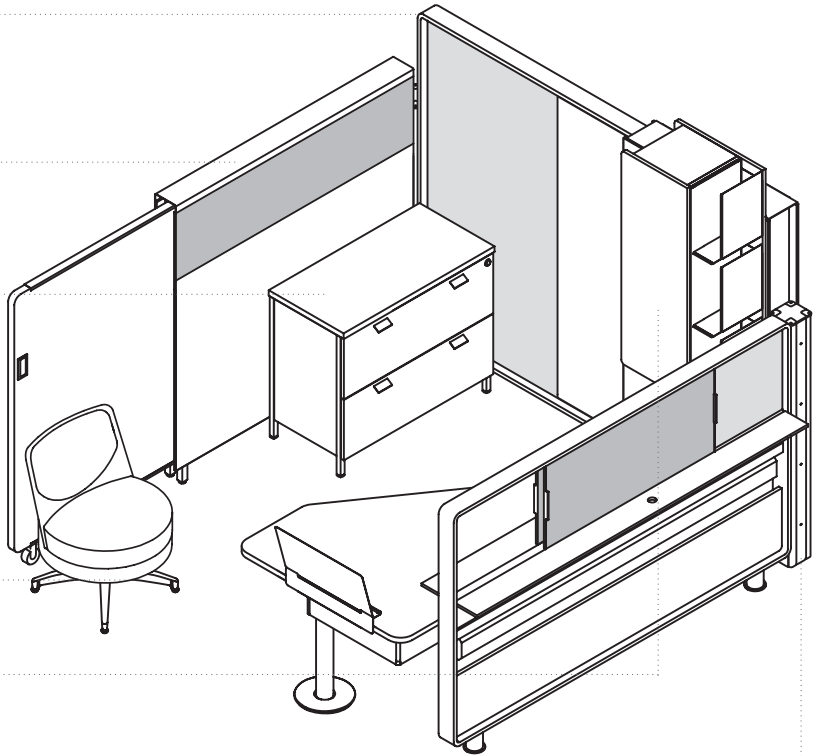
connector posts support and join flex-fit walls to flex-fit walls, flex-fit walls to desk loops, and flex-fit walls to return walls. connector posts also receive ceiling power infeeds.

utilities (not shown)

Topo utilities feature a Wiremold power & communications system that has been developed in collaboration with Metro.

storage towers (not shown)

storage towers are 58" high and available in 20" or 38" widths, feature one fixed center shelf and two adjustable shelves. both widths are available open or with hinged doors.



Topo is easy to understand, plan, and specify. the purpose of its components is immediately apparent, there are no complex rule sets, and no hardware or finish trim parts to specify. when specifying Topo for the private office, the components include: desktops, desk loops, storage (pedestals, credenzas, towers), and lounge seating. when specifying for the open plan you will add: flex-fit walls, connector posts, return walls, and overhead towers.

specifying Topo for the private office

identify room parameters and user needs. note the length of interior walls, power and data/voice sources, windows, doors, and door swings. also identify user work process issues, such as: frequent computer use, space needs for occasional meetings with one person (other people), storage requirements, and accessories such as power and voice/data at the work surface.

technology and equipment to consider:

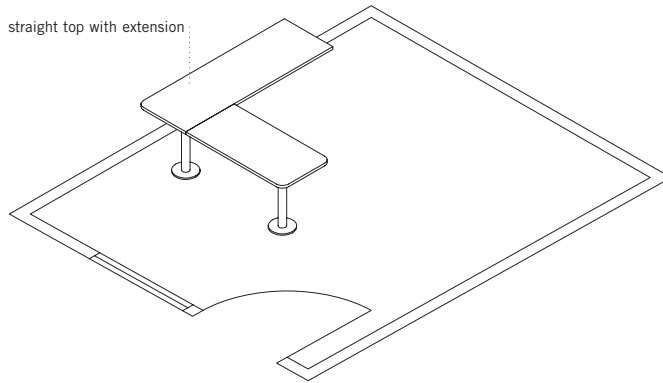
- phone/fax
- copier
- computer CPU and monitor
- desktop video conferencing

1. specify a desktop.

select the size and shape of desktop best suited to the work processes of the user and the space available. plan to place the primary desktop against a wall, preferably the source for power and data/voice.

- specify desktop based on shape, edge profile, and length
- specify optional upper and/or lower modesty panels on any shaped desktop

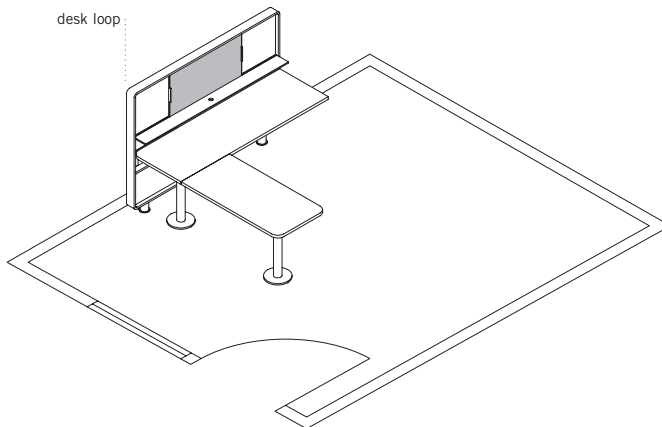
all desktops are supported in three ways: at one end by a column base, along the back edge by a desk loop, and at the end opposite the column base by a freestanding pedestal or pedestal tower.



2. specify a desk loop.

select a desk loop from the group identified as private office version.

- specify the width of desk loop to match the width of the desktop specified
- specify the style of desk loop based on the combination of infill panels to support work processes



3. specify a desktop utility.

specify a private office version desktop utility.

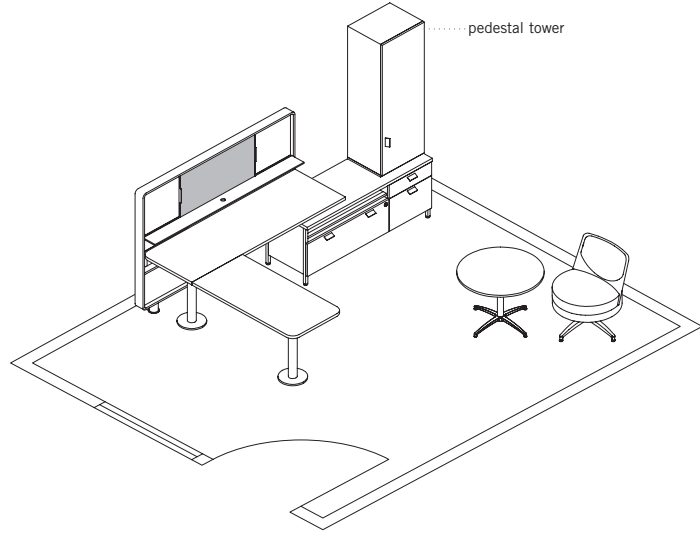
4. specify a freestanding pedestal or pedestal tower.

the end of the desktop, opposite the column base, must be supported by either a freestanding pedestal or a pedestal tower.

- specify a 20", 38" or 56" wide freestanding pedestal or a 56" wide pedestal tower.

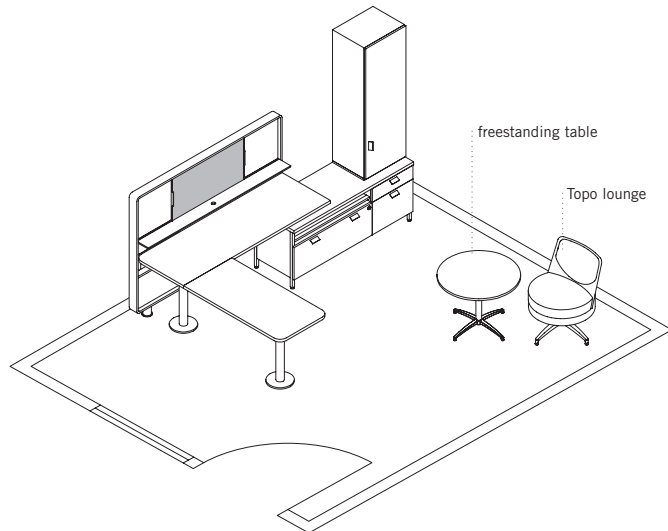
tip: pedestals measure 24" high. the distance between the top of the pedestal and the underside of the desktop is taken up by an adjustable hyperglide. the hyperglide, in conjunction with the adjustable column base and the hardware connecting the desktop to the loop, facilitate adjustability of the desktop to any height between 27" – 30".

tip: all hardware is included and does NOT need to be specified separately.



5. specify additional freestanding furniture.

complete the private office specification by adding storage, freestanding tables, and lounge seating to address the user's work processes and as the space allows – there are no rules associated with their specification.



Topo is easy to understand, plan, and specify. the purpose of its components is immediately apparent, there are no complex rule sets, and no hardware or finish trim parts to specify. when specifying Topo for the private office, the components include: desktops, desk loops, storage (pedestals, credenzas, towers), and lounge seating. when specifying for the open plan you will add: flex-fit walls, connector posts, return walls, and overhead towers.

specifying Topo for open plan applications

identify space parameters and user needs including: storage requirements, equipment inventories, including small accessories and the user's access to power and voice/data. also identify the power and voice/data sources, lighting grid, and sources of natural light. note means of egress and circulation, ceiling heights, and any particular local code issues.

technology and equipment to consider:

- phone/fax
- copier
- computer CPU and monitor
- desktop video conferencing

Topo will flex to fit your space by expanding and contracting within a range of 18" on both the x and y axis. to increase a workstation from 6' to 7', simply expand an existing 6' flex-fit wall to 7'. there is no need to add or subtract panels or hardware to fit your space.

1. specify a flex-fit wall.

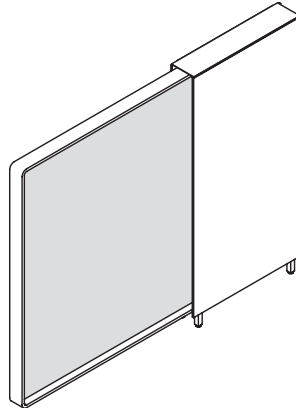
select a 60" or 72" high flex-fit wall and range of width as follows:

- 72" – 90"
- 84" – 102"
- 96" – 114"
- specify optional sliding markerboard or tackboard for flex-fit wall

tip: flex-fit walls of different widths may be joined together.

▶ see flex-fit wall, pages 36–40

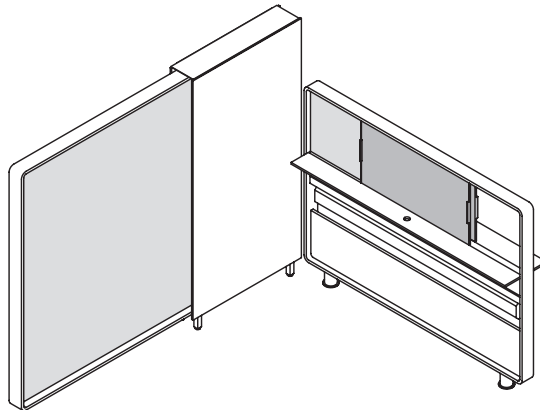
- flex-fit walls connect at 90 degrees to a desk loop at one end and a return wall at the other



2. specify a desk loop.

select a desk loop by the length of desktop required, its location within a run of workstations, and the work process to be supported.

- specify the width of desk loop to match the width of the desktop
- specify a "single desk version" of the desk loop when it is located at the end of a run of workstations or where there will be a user on only one side
- specify a "double desk version" where there will be a user on both sides
- specify the style of desk loop based on the combination of infill panels to support work processes



3. specify connector posts.

connector posts are used to join desk loops and return walls to flex-fit walls at 90 degrees. they are also used to join flex-fit wall to flex-fit wall at 180 degrees. connector posts also serve as plenums to take-up power cable as flex-fit walls are contracted.

there is one height of connector post and no hardware to specify.

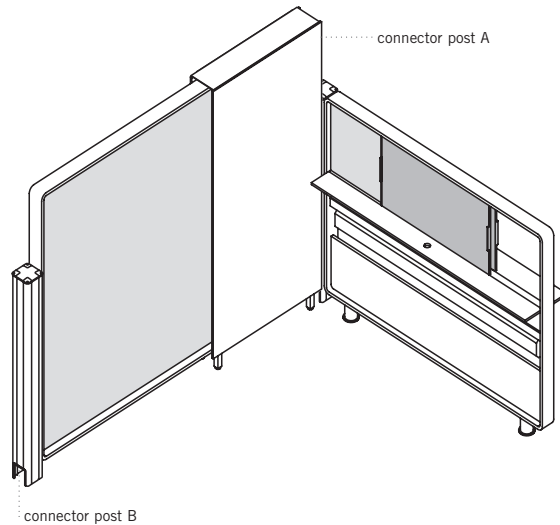
specify connector post A to:

- join the fixed portion of a flex-fit wall to the fixed portion of another flex-fit wall at 180 degrees
- join a desk loop to another desk loop at 180 degrees
- join a desk loop to a fixed portion of flex-fit wall at 90 degrees.

tip: a desk loop and a flex-fit wall do NOT join at 180 degrees.

specify connector post B to:

- join the loop portion of a flex-fit wall to the loop portion of another flex-fit wall at 180 degrees
- join a return wall to another return wall at 180 degrees
- join a return wall to the loop portion of a flex-fit wall at 90 degrees.

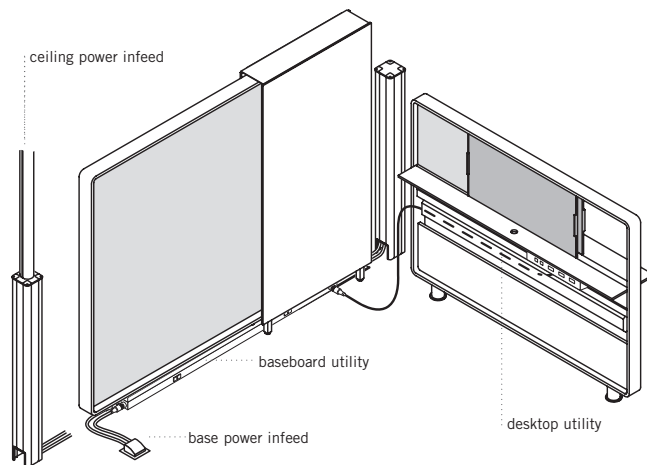


4. specify utilities.

Topo utilities feature a Wiremold power and communication system to integrate power and data/voice with a minimum number of components.

- specify a ceiling utility infeed pole that integrates with the Topo connector post where power is coming from the ceiling
- specify a base power infeed where power is coming from the floor or walls
- specify baseboard utilities that run underneath flex-fit walls to distribute power and communications through the system
- specify a baseboard utility harness to distribute power from one baseboard utility to the next
- specify a baseboard utility cover for each flex-fit wall that will incorporate baseboard utilities on an aisle application
- specify an open plan version desktop utility for each worksurface.

tip: a flex-fit wall with a range of width measuring 72" – 90" requires a baseboard utility for 72" – 90".



5. specify a return wall.

select a 24", 42", or 60" wide return wall. the 60" wide return wall is available with an optional roller screen that extends approximately 38" to provide users with control of their privacy or collaboration with others.

- specify an optional Slatwall tile for either side of the return wall if desired

6. specify a desktop.

select a desktop shape best suited to support the user's work process and equipment. the width of the desktop must match the width of the desk loop.

- specify optional upper and/or lower modesty panels on angled, diagonal, or corner diagonal desktop
- specify optional lower modesty panel on straight tops with extensions

tip: when planning for equipment, note that the desktop sill will overhang the desktop by 5".

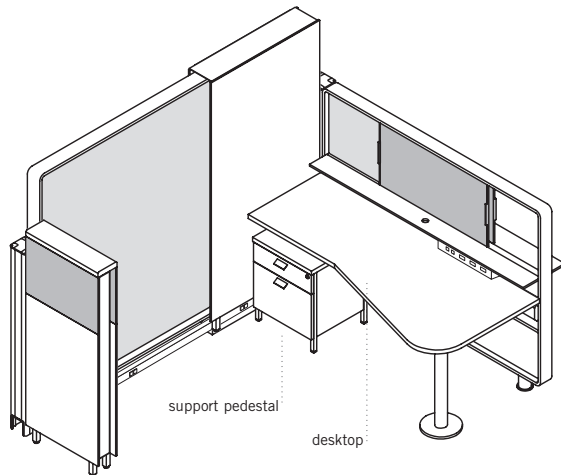
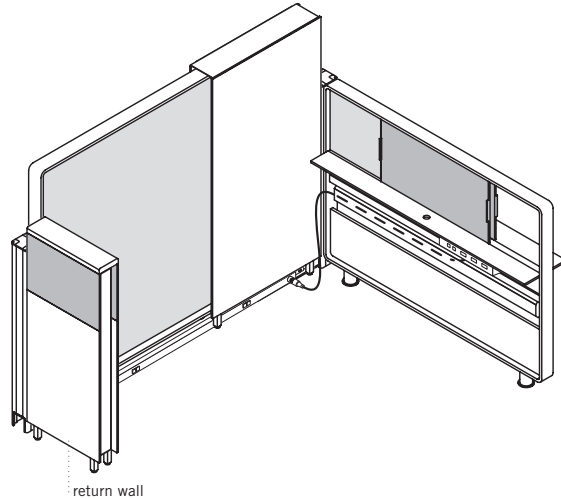
7. specify a freestanding pedestal.

the end of the desktop, opposite the column base, must be supported by a freestanding pedestal.

- specify a 20" wide freestanding pedestal with a 70" wide desktop, a 20" or 38" wide freestanding pedestal with an 82" wide or 94" wide desktop.

tip: pedestals measure 24" high. the distance between the top of the pedestal and the underside of the desktop is taken up by an adjustable hyperglide. the hyperglide, in conjunction with the adjustable column base and the hardware connecting the desktop to the loop, facilitate adjustability of the desktop to any height between 27" – 30". when 38" wide storage is used, these connections also facilitate 18" of lateral adjustability of the desktop. when a 20" wide pedestal is used there are 12" of lateral adjustability.

tip: all hardware is included and does NOT need to be specified separately.



8. specify an overhead tower.

overhead towers mount directly to flex-fit walls and are offered with a tambour door, in 34" or 46" heights.

- specifying a 34" high overhead tower with a 60" high flex-fit wall will result in the overhead tower extending approximately 12" above the wall
- specifying a 34" high overhead tower with a 72" high flex-fit wall will result in the top of the overhead tower being flush to the top of the wall
- specifying a 46" high overhead tower with a 72" high flex-fit wall will result in the overhead tower extending approximately 12" above the wall

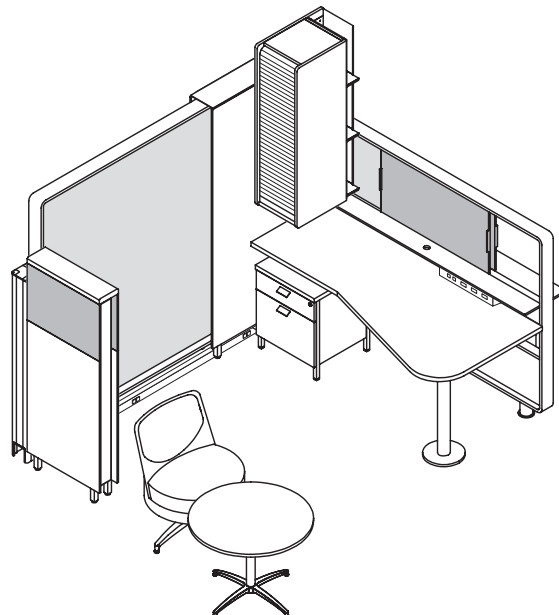
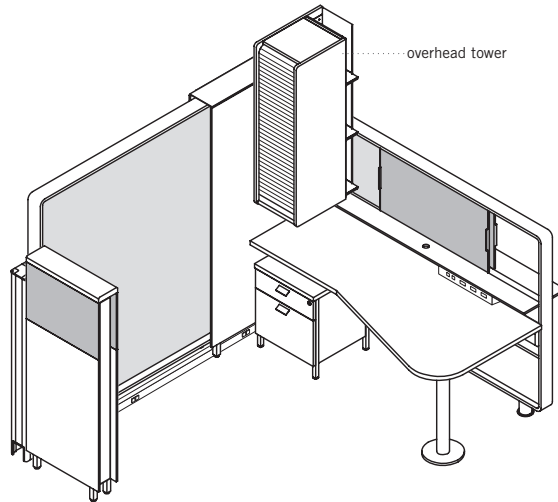
tip: 46" high overhead towers may only be specified with 72" high flex-fit walls.

tip: overhead towers may be mounted to either side, or both sides of a flex-fit wall.

tip: fire codes in many locales require a minimum allowance of 18" between the sprinkler heads and the top of furniture.

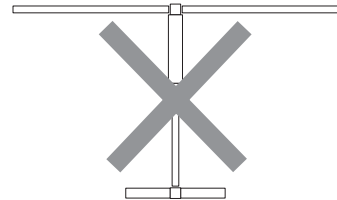
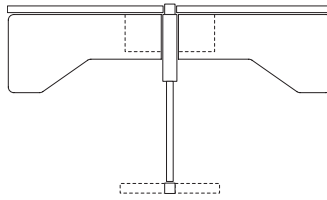
9. specify additional freestanding furniture.

complete the open plan workstation by adding freestanding storage, tables, and lounge seating to address the user's work process and as the space allows – there are no rules associated with the arrangement or specification of these freestanding components.

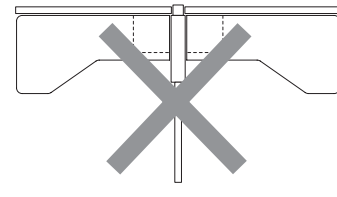
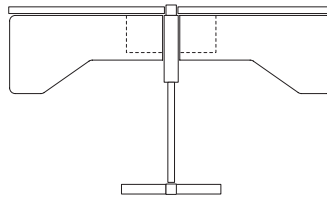


Topo | connection guidelines

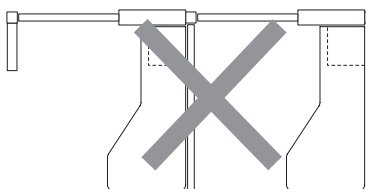
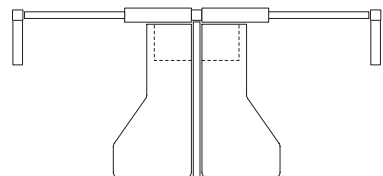
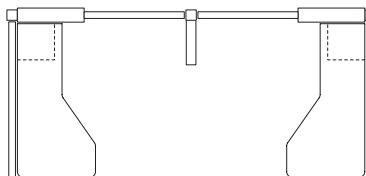
- a desk loop is always required to support a desktop and a desktop and freestanding pedestal or pedestal tower are always required to support a desk loop. in open plan applications a freestanding pedestal is also required to reinforce the connection between the desk loop, connector post, and the flex-fit wall. Topo space division elements are not intended for use on their own or to house other products, they should always be used in combination with a desktop and freestanding pedestal.



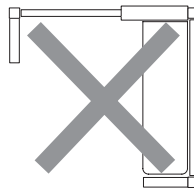
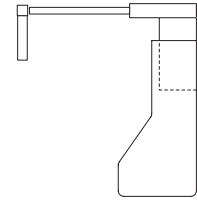
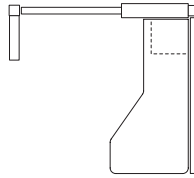
- both ends of a flex-fit wall should always be supported at 90 degrees – at the pocket segment end by a connector post and desk loop, at the loop end by a connector post and return wall. flex-fit walls should never be left to float at one end.



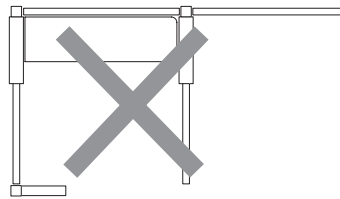
- flex-fit walls should be joined by a connector post either loop to loop or pocket segment to pocket segment. they cannot be joined loop to pocket segment.



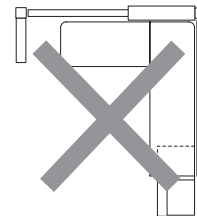
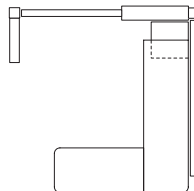
- desk loops, when used in open plan applications, should be joined to a connector post and flex-fit wall at one end only. adding a flex-fit wall or return wall to the outboard end of a desk loop will eliminate any possibility to extend the desktop.



- workstations should not be configured by joining desk loop to desk loop.



- a straight top with extension may be used in open plan applications where there is sufficient space for the extension to be at the end of the desk loop opposite from the flex-fit wall. a straight top with extension cannot be used with the extension adjacent to the flex-fit wall as a freestanding pedestal must always be used to reinforce the connection between desk loop and flex-fit wall.



Topo | height relationships

heights of Topo desktops (adjustable from 27" – 30") and pull-out surfaces have been established to support comfortable work postures in sitting and standing positions.

heights of space division elements including desk loops, flex-fit walls, and return walls have been established to provide both a degree of privacy and the opportunity for user determined collaboration.

maximum height is established at 84" high and is reached when combining the tallest overhead tower with the highest flex-fit wall.

tip: fire codes in many locals require a minimum allowance of 18" between the sprinkler heads and the top of furniture.

