

Privacy Wall glass office fronts



Steelcase

Privacy Wall **a clear alternative**

Integrate Privacy Wall components with drywall construction to create glass fronts for offices and conference rooms under CSI Division 8. Clean aesthetics and exceptional quality that's environmentally sustainable and can contribute to LEED certification all competitively priced when compared to traditional door and frame construction.

simplicity and speed

Shorten your construction schedule and avoid the mess. Privacy Wall components are pre-assembled, pre-glazed and pre-finished. Installation happens after the dust settles, the paint dries, and the carpet is laid. Project management is simplified by providing frames, glass, doors, finished hardware and installation all under one contract.

visual options

Create the perfect level of privacy for each room with a view. Privacy Wall can be specified and installed in an endless variety of forms and surfaces to reflect the architect's and designer's aesthetic and functional criteria.



04

Privacy Wall single-lite slider door with end filler at exterior sill and mullion.





Faceted Privacy Wall glass office fronts create a bow window effect.



Privacy Wall GS polished edge slider door with tubular pull.







open and shut

It's an obvious choice. Steelcase doors offer quality material and visual choices that match your fronts and furniture. A smart alternative to traditional hollow metal frames and contract door leaves.



Solid veneer swing door with adjustable bypass at drywall.

10



Wood stile and rail slider with glass from Bendheim, Bamboo 6558.



Privacy Wall pivot door and frame in drywall opening.



Waterfall 6557



Mist 6556



Fog 6554



Whisp 6553



Ice 6555



Mirage 6552



Bamboo 6558



Harp 6551



Ribbon 6550

glass options

Our alliance with Bendheim, the largest supplier of specialty glass in North America, provides an expansive glass offering for Privacy Wall. Nine glass types have been carefully chosen and “graded-in” to simplify the specifying process and manage lead-times. In addition, Steelcase works with glass manufacturers from around the world to provide unique glazing solutions.



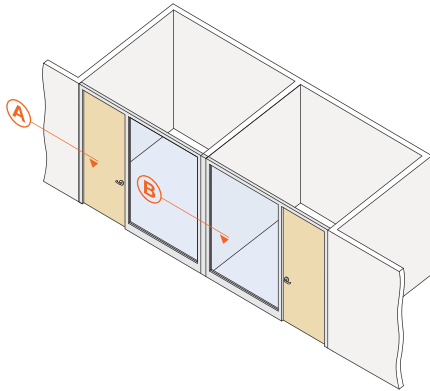
Privacy Wall butt joint L corner with adjacent multi-lite glass panels.

versatile connections

Privacy Wall offers a variety of interface components that will allow the design team to provide the appropriate balance of flexibility, visual attributes, sustainability, cost and speed of installation. You can rely on your local Steelcase team to help with the details and apply the components in a way that best meets your criteria.

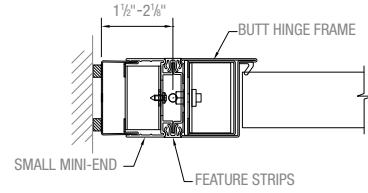
Adjustable bypass at drywall cross wall

As seen on page 10.



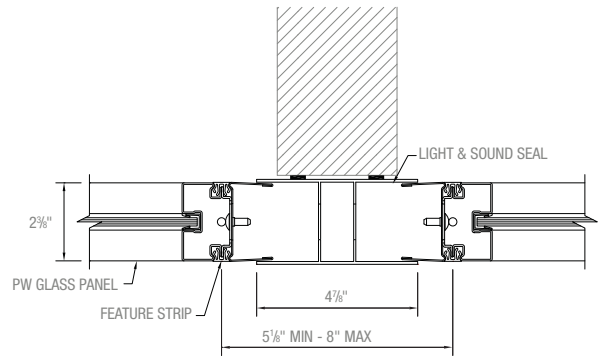
A Door Frame at Mini-End

Horizontal Section



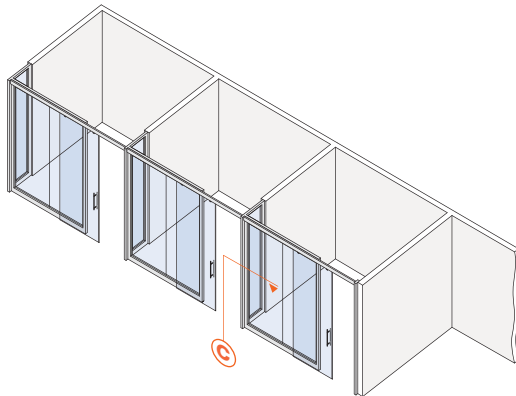
B Adjustable Bypass

Horizontal Section



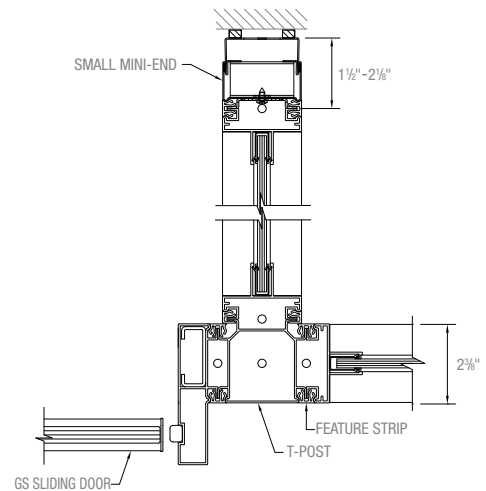
Glass T-extension at bypass

As seen on page 6.



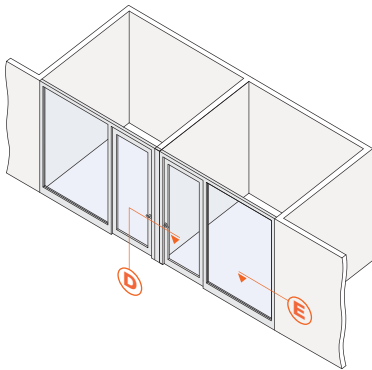
C Glass T-Extension

Horizontal Section

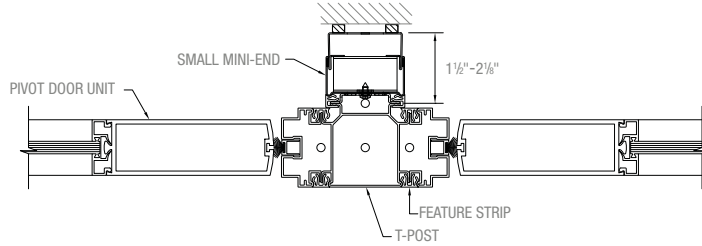


T-post bypass with mini-end offset

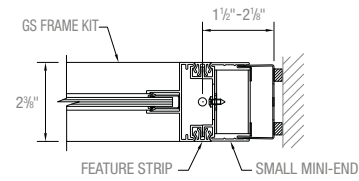
As seen on page 3.



D T-Post with Mini-End Offset
Horizontal Section

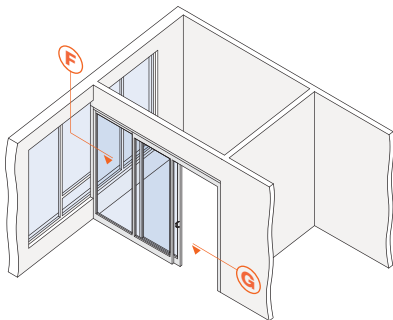


E GS Frame Kit at Mini-End
Horizontal Section

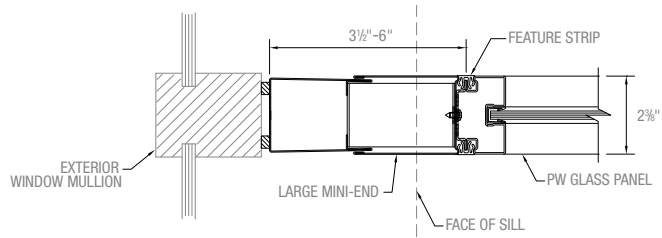


Exterior window mullion with slider

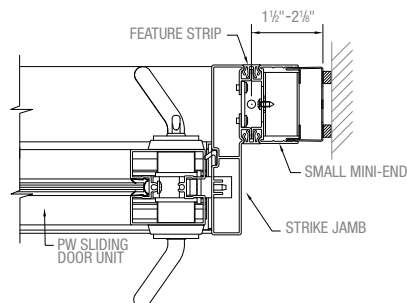
As seen on page 4.



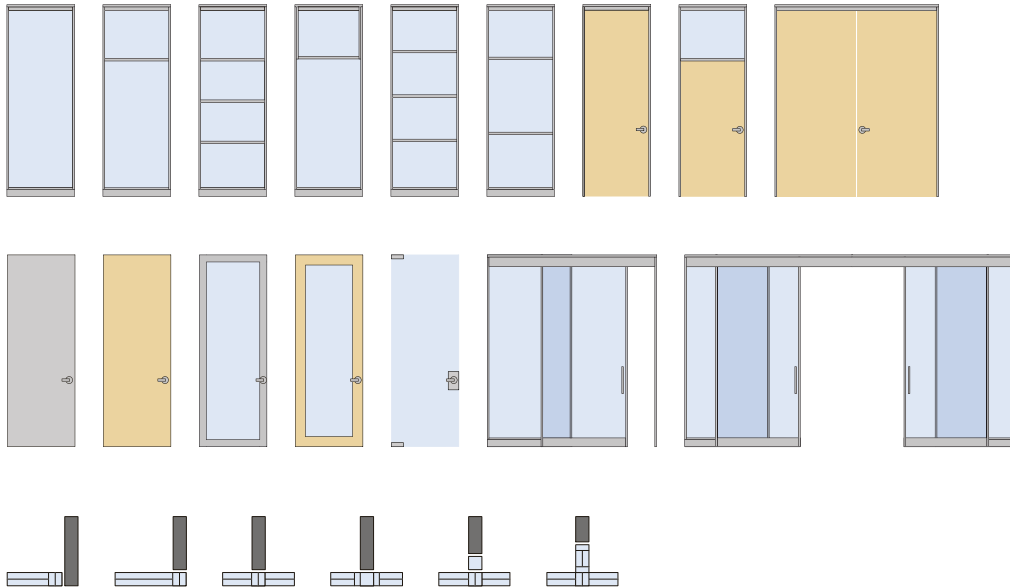
F Mini-end at Sill
Horizontal Section



G Mini-end at Slider Door
Horizontal Section



Privacy Wall and Privacy Wall GS



Ceiling heights: From 7'3" (at soffit) to 11' in one-inch increments for all Privacy Wall.

Glass panels: Unitized, pre-glazed panels, sized in any width from 6" to 60", in a variety of glass lite configurations and muntin locations.

Frame profiles: Rectilinear, painted surfaces (flat, textured and metallic) with options for veneer. Privacy Wall GS is available with unique aluminum profiles in an anodized finish.

Glazing options: frames can be glazed with a variety of materials, including a wide range of architectural glass products, resin materials, and solid infills with veneer, laminate, painted and upholstered surfaces.

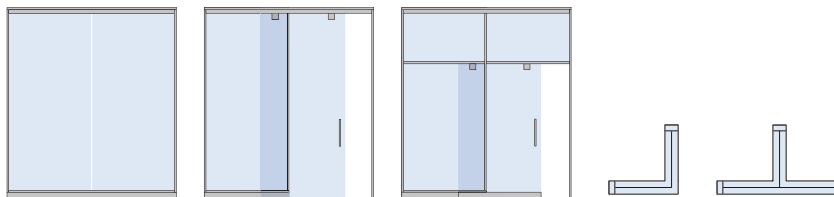
Base trims and frame profiles: Bottom trims in three different configurations, including low profile to minimize framing visuals, plus 4" and 5" high base to maximize adjustability and accommodate pre-wired power.

Drywall interface components: Solutions can also vary in profile to minimize the framing visuals or increase flexibility and adjustability.

Swing doors: Full-height or transom-height, solid, glass stile and rail, glass polished edge, paint, veneer, anodized surfaces

Slider doors: Glass stile and rail doors with a variety of glass lite configurations. Also options for solid veneer and glass with wood trim.

Privacy Wall GS



Ceiling heights: from 7'3" (at soffit) to 10' in one inch increments.

Butt glazing options: Site assembled frame and glass kits up to 144" wide for a simpler, more open visual alternative to unitized construction. L and T configured panel assemblies.

Slider doors: Polished edge doors in full-height and transom-height configurations.



Love is a squishy thing. Some would say love is too squishy for business. If all you have is love with no action, maybe it is. But if you combine love with science and engineering (both very precise and decidedly unsquishy) you can follow your love. You can act on it.

Love – We combine the desire to do what's right with tools that help us identify ways we can continuously improve our environmental performance.

Materials Chemistry – Analysis by MBDC allows us to understand the chemical makeup of our products and production processes, and their safety to human and environmental health. It flags materials to avoid in new products and eliminate from existing products.

Lifecycle Assessment (LCA) – An LCA measures the environmental impact of a product's materials, production, transport, use, and end of life. LCAs help us identify ways to improve our environmental performance at every phase of a product's life.

Recycling & Reuse – Products are designed to facilitate disassembly and maximum recyclability. When a product reaches the final phase in its lifecycle, the Steelcase Environmental Partnership Program connects you with resources to recycle or reuse that product.

environmental certifications

Privacy Wall has Silver MBDC Cradle to CradleSM Product Certification, depending on options. And is the first wall solution with this certification. Cradle to Cradle certification evaluates products for environmentally safe and healthy materials; energy and water use during production, the ability to recycle and reuse materials and social responsibility.

Privacy Wall is also SCS Indoor AdvantageTM certified in North America.

environmental facts

Privacy Wall is 70% recyclable and contains 36% recycled content.

LEED contribution

Privacy Wall may contribute toward earning LEED points for your project. Even if you're not applying for LEED, you get points for being considerate to the environment.

Materials and resources

- MR 2.1 Construction waste management
- MR 4.1 & 4.2 Recycled content
- MR 5.1 Regional materials
- MR 7 Certified wood

Indoor environmental quality

- EQ 4.4 & 4.5 Low emitting materials
- EQ 8.1, 8.2 & 8.3 Daylight & views

Innovation and design

- ID 1 Innovation in design – Cradle to Cradle

Love how you work.®

Steelcase®

Call 800.333.9939 or visit steelcase.com

Item # 08-0001476 01/09 © 2009 Steelcase Inc. All rights reserved. All specifications subject to change without notice. ♻️ Printed in U.S.A. on 30% post-consumer recycled paper. Trademarks used herein are the property of Steelcase Inc. or of their respective owners. Use caution when changing into your bowling league clothes with Privacy Wall glass office fronts.